

RF Connectors > SMA Connectors

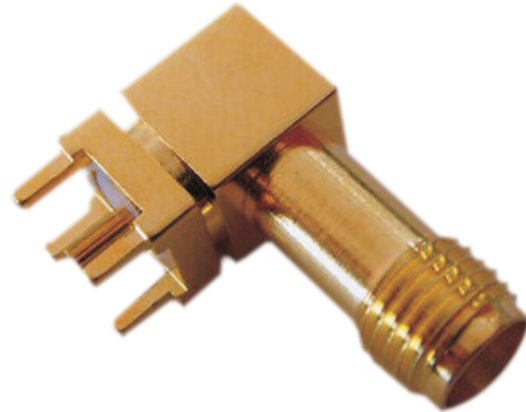
KLS1-SMA-KWE SMA Series

Electrical Specifications

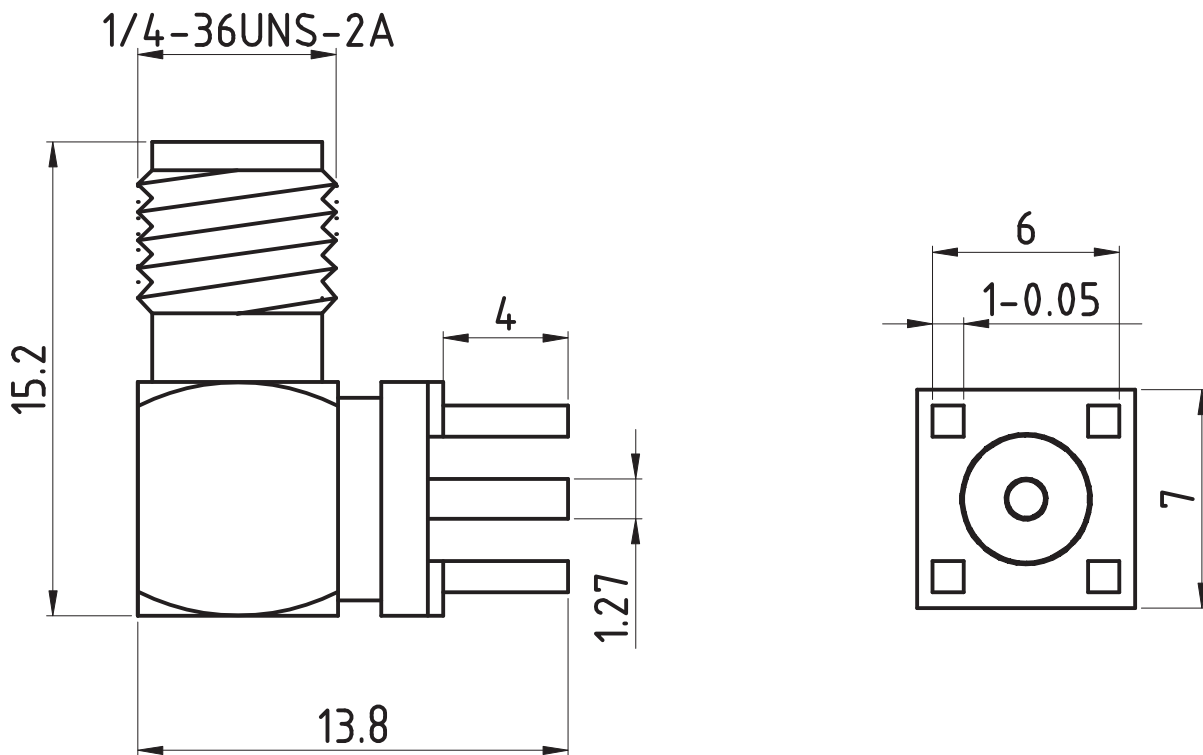
Impedance: 50 Ω
Voltage Rating : 335V max .
Dielectric Withstanding Voltage : 1000V rms
Insulation Resistance: ≥ 5000 MΩ
Durability: 500 Cycles Min.
Temperature Range: - 65°C to +165°C

Material

Connector body: Brass ,gold Plating
Center contact Female: Brass ,gold Plating



I



ORDER INFORMATION

Product NO.: L-KLS1-SMA-KWE-7*7-15.1

