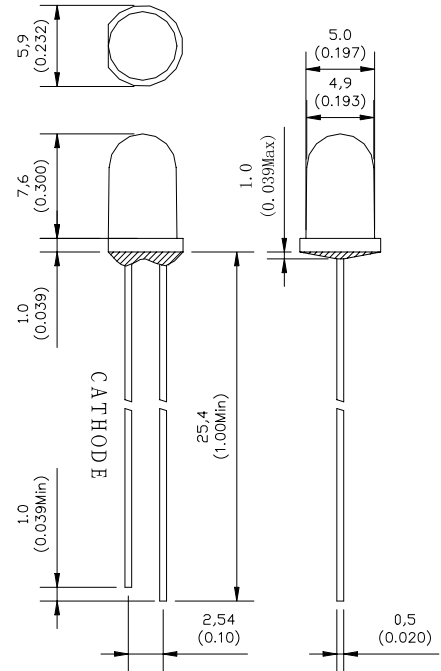


## GNL-5013xx (Φ5mm ROUND TYPE) Ultra Brightness

ABSOLUTE MAXIMUM RATING:(Ta=25°C)

Parameter			Unit
DC Forward Current	30		mA
Reverse Voltage	5		V
Reverse Current (Vr=5V)	10		μA
Peak Forward Current ,tw ,=1 msec Duty ,=1/20	150		mA
Operation Temperature	-40	+80	°C
Storage Temperature	-40	+100	°C
Solder Dip (5 seconds, 1.6mm from body ) Temperature	300	±5	°C



### Feature:

- 1.Small flange without stand-off
- 2.Long life-solid state reliability
- 3.Long lead length(25.4mm)
- 4.Versatile mounting on P.C. board or panel

### Description:

- 1.The shape of this series is round
- 2.General application is for indication,illumination,etc.
- 3.These LED lamps are available with a choice of defferent colors,light intensities,epoxy colors,etc.

Part Number	EMITTED COLOR		Lens Color	Peak Wavelength (nm)	Vf (v) Typ.	IV (If=20mA) mcd		View Angle 2 θ 1/2
						Min.	Typ.	
GNL-5013UEC-A	AlGaInP	Super Orange Red	Water Clear	625	2.0	2500	3000	18°
GNL-5013UEC-TL	AlGaInP	Super Orange Red	Water Clear	625	2.0	3800	4500	18°
GNL-5013UYC-A	AlGaInP	Super Yellow	Water Clear	592	2.0	2800	3500	18°
GNL-5013UYC-TL	AlGaInP	Super Yellow	Water Clear	592	2.0	4000	5000	18°
GNL-5013UYOC-TL	AlGaInP	Super Amber	Water Clear	610	2.0	3800	4500	18°
GNL-5013UBC-TL	InGaN	Super Blue	Water Clear	470	3.5	6000	7000	18°
GNL-5013BGC-TL	InGaN	Super Bluish Green	Water Clear	505	3.5	10000	12000	18°
GNL-5013PGC-TL	InGaN	Super Pure Green	Water Clear	525	3.5	15000	20000	18°
GNL-5013UEC-50	AlGaInP	Super Orange Red	Water Clear	625	2.0	2000	3000	25°
GNL-5013UYC-50	AlGaInP	Super Yellow	Water Clear	590	2.0	2000	3000	30°
GNL-5013PGC-50	InGaN	Super Pure Green	Water Clear	505	3.5	5000	7000	30°
GNL-5013UBC-50	InGaN	Super Blue	Water Clear	470	3.5	2500	3000	30°
GNL-5013UVC	InGaN	Super Violet	Water Clear	400	3.5	150	300	18°
GNL-5013PVC	InGaN	Super Violet	Water Clear		3.5	2500	4000	18°