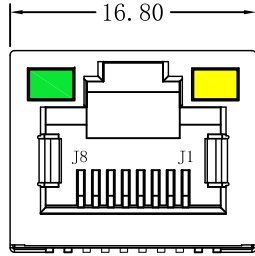
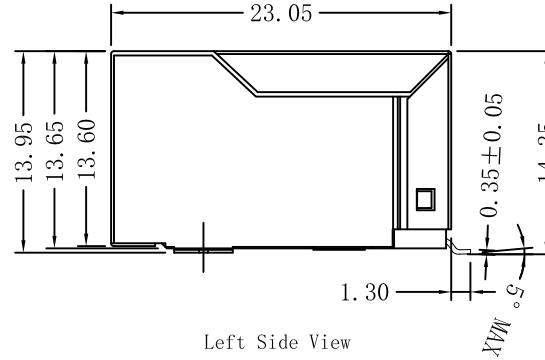


Mechanical:

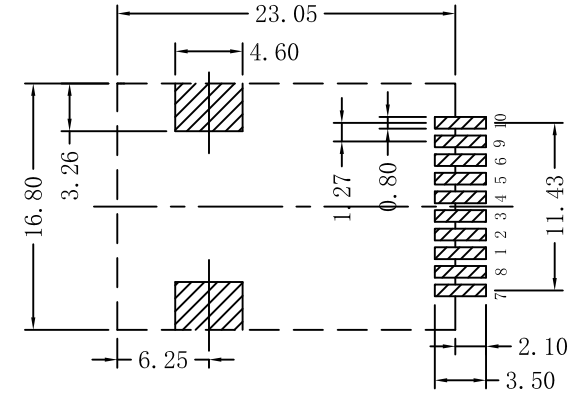
REV.	ECN NO.	DESCRIPTION	DATE	APPD
A	REL		2015-05-30	



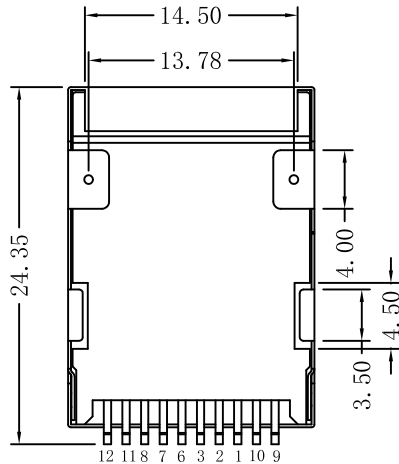
Front Side View



Left Side View



Suggested PCB Layout (Top View)



Bottom Side View



Top Side View

NOTES:

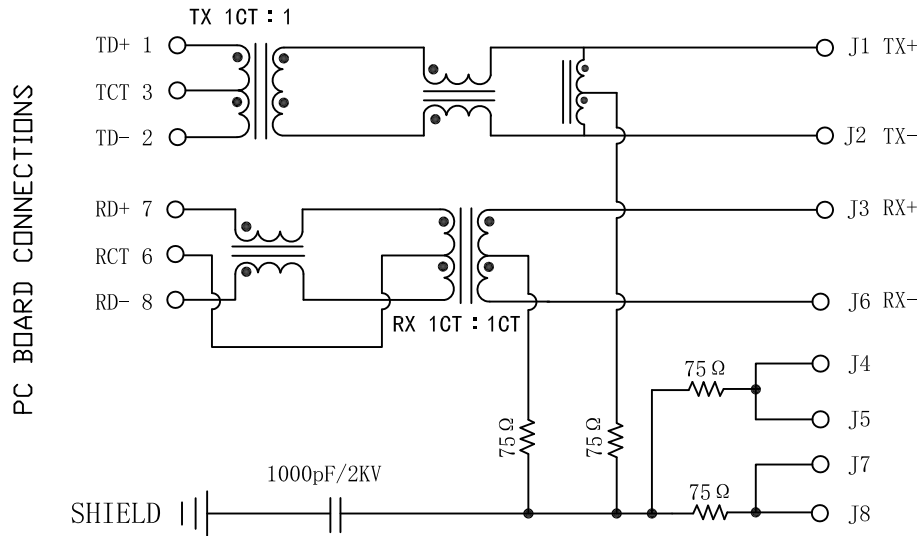
1. Meets IEEE 802.3 specification
2. Connector Materials:
Housing: Thermoplastic UL94V-0
Contact/Shield: Copper alloy
Shield plating: Nickel
Contact plating: Gold 6 micro-inches min. In contact area.
3. Operating Voltage: 3.3V-5V MAX. Current: 350mA.
4. Maximum reflow temperature is: 250°C, 5 Sec.
5. UL Certification: File Number E321120



X:X ±0.25	APPD:	Trxcom Huizhou Trxcom Electronics Co., Ltd.
X:XX ±0.20	CHKD:	
X:XXX ±0.05	DR: SEA	TITLE: Surface Mount 1×1 Tab-Up Jack With 10/100 Magnetic
ANGLES ±1°	UNIT: mm	PART NO.: TRJ19425BHNL
	SCALE: 2/1	SHEET: 1/4
	REV: A	DWG NO.: TRC13122650

Schematic:

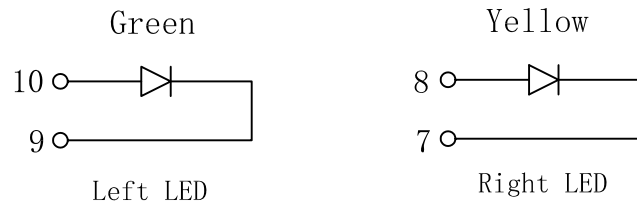
REV.	ECN NO.	DESCRIPTION	DATE	APPD
A	REL		2015-05-30	



PC BOARD CONNECTIONS

RJ45 CONNECTOR

- Electrical Specification @25°C
1. Primary OCL inductance: 350uH minimum at 100KHz/0.1Vrms with 8mA DC bias
 2. Turns Ratio ($\pm 2\%$):
TX=1CT : 1 RX=1CT : 1CT
 3. Insertion Loss:
1~100MHz: -1.0dB Max
 4. Return Loss(dB Min @100Ω):
1~30MHz: -18 30~60MHz: -16
60~80MHz: -12
 5. Crosstalk(dB Min):
1~100MHz: -30
 6. Common to Common Mode Rejection:
1~100MHz: -30dB Min
 7. Isolation Voltage: 1500Vrms Min
 8. Operating Temperature: -40°C ~ +85°C.



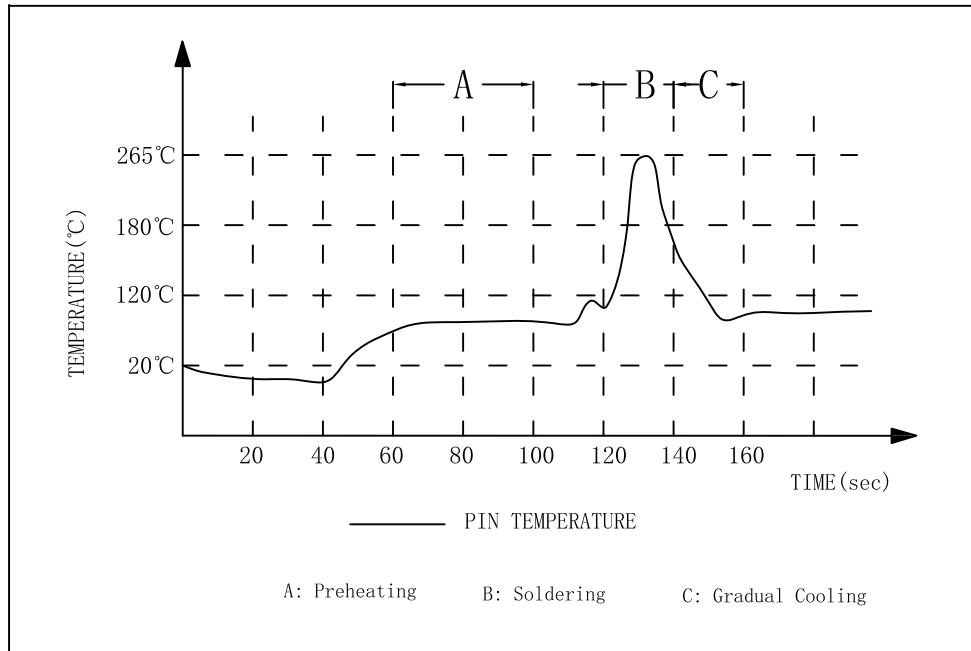
Emitting Color	λ p(nm)	VF@IF=20mA	IR @VR=5V
Green	565	1.8~2.4V	10 μ A max
Yellow	585	1.8~2.4V	10 μ A max

X:X	± 0.25	APPD:	Trxcom Huizhou Trxcom Electronics Co., Ltd.	
X:XX	± 0.20	CHKD:		
X:XXX	± 0.05	DR: SEA	TITLE: Surface Mount 1×1 Tab-Up Jack With 10/100 Magnetic	
ANGLES	$\pm 1^\circ$	UNIT: mm	PART NO.: TRJ19425BHNL	
	SCALE: 2/1	SHEET: 2/4	REV: A	DWG NO.: TRC13122650

REV.	ECN NO.	DESCRIPTION	DATE	APPD
A	REL		2015-05-30	

SUGGESTED PROFILE OF WAVE SOLDER FOR ROHS PRODUCT

REV: A
 TEMP(°C): 25
 HUM(%): 65 RH

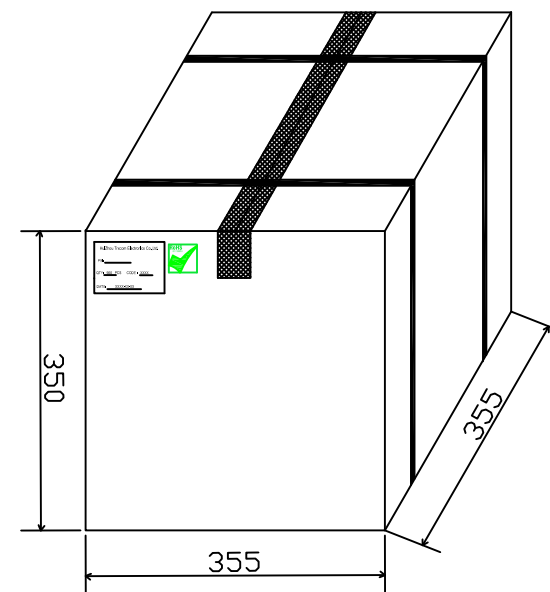
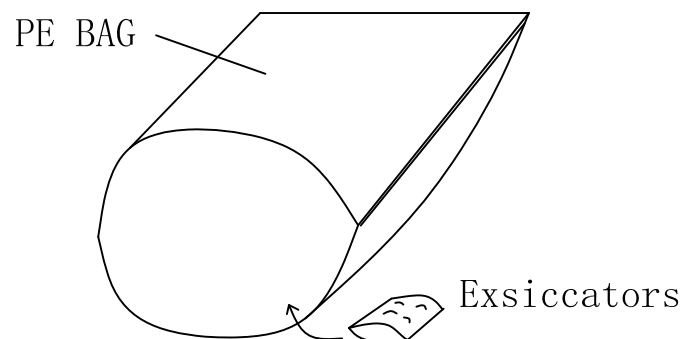
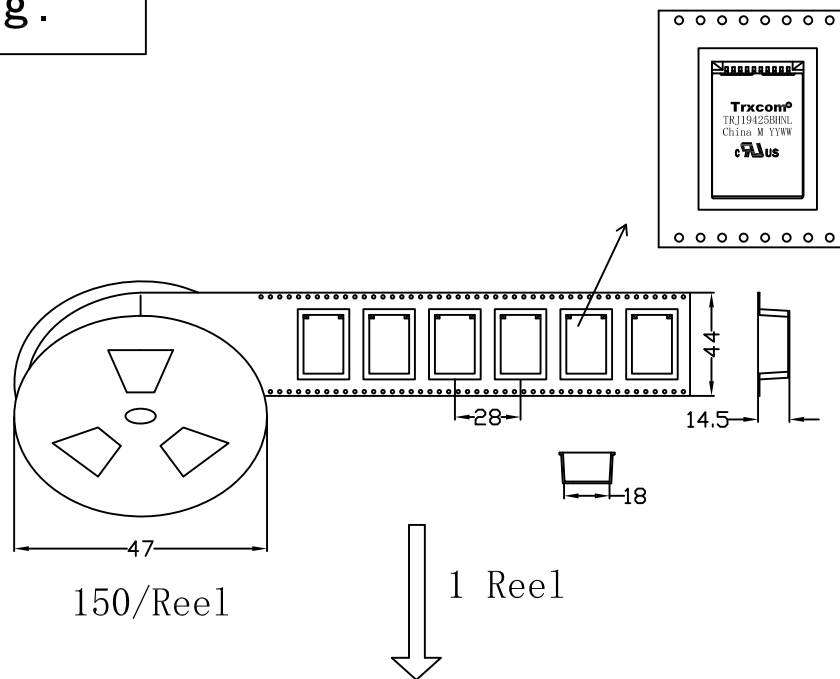


- (1) Tip Temperature: 265°C max
 - (2) Tip Temperature time: 5sec max
- Note: The melting point of Tin: 219°C

X:X ±0.25	APPD:	Trxcom
X:XX ±0.20	CHKD:	
X:XXX ±0.05	DR: SEA	TITLE: Surface Mount 1×1 Tab-Up Jack With 10/100 Magnetic
ANGLES ±1°	UNIT: mm	PART NO.: TRJ19425BHNL
	SCALE: 2/1	SHEET: 3/4
	REV: A	DWG NO.: TRC13122650

Packing:

REV.	ECN NO.	DESCRIPTION	DATE	APPD
B	REL		2015-05-30	



- ◆ Packaging unit : 150 pcs/ reel
- ◆ Packaging way : Carrier tape
- ◆ Outer carton unit : 900 pcs/ 6 Reel/ box
- ◆ Net Weight : 6.5 kg
- ◆ Gross Weight : 9 kg

X:X	±0.25	APPD:	Trxcom Huizhou Trxcom Electronics Co.,Ltd.	
X:XX	±0.20	CHKD:		
X:XXX	±0.05	DR: SEA	TITLE: Surface Mount 1×1 Tab-Up Jack With 10/100 Magnetic	
ANGLES	±1°	UNIT: mm	PART NO. : TRJ19425BHNL	
		SCALE: 2/1	SHEET: 4/4	REV: A
				DWG NO. : TRC13122650