

Data sheet

Commercial Art.No.: 99.462.9999.9

Cable assembly ST16/2N S BS75 06 WS

Connection cable with integrated low voltage base and ST16 connector, length 0,6m, 48V/6A, cable type silicon, max 180°C, color: white



Commercial Art.No.	99.462.9999.9
EAN	4015573714762
Order Unit	1

Technical data

General

Rated current	6 A
Rated voltage	48 V
Rated impulse voltage	0.8 kV
Pollution degree	2
Mechanical coding	yes
Lockable	self-locking (unlocking by tool)
Color of coding/ contact carrier	white

Model

Nominal cross section conductor	0.75 mm ²
Degree of protection (IP)	IP20
Preparation of conductor ends	cable end sleeve
Cable type	H05S-K
Cable color	white
Cable diameter min.	6.2 mm
Cable diameter max.	2.45 mm
Version of cable	Other
Type of cord set	adapter cable
Version cable end 1	male
Version cable end 2	Other

Material

Surface finish	Silver-plated
halogen free	yes
Continuous temperature of cable	180 °C
Insulation components continuous temperature	100 °C
Fire load	0 kWh

Dimensions

Total length	0.6 m
--------------	-------

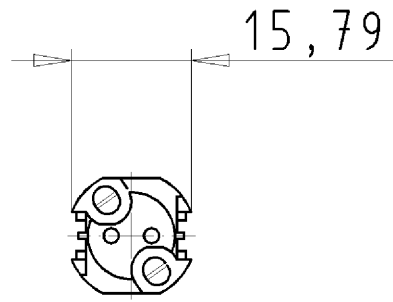
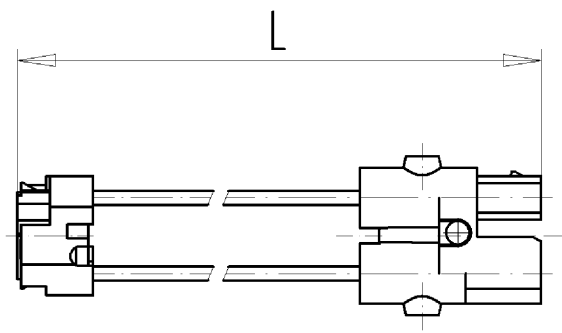
Classification

ECLASS 11	
ECLASS 8.1	27440604

ETIM 7.0	EC002587
ETIM 6.0	EC002587
ETIM 5.0	EC002587
ETIM 4.0	EC002587

Product compliance

ROHS conformity status	Compliant
REACH-SVHC conformity status	Compliant



Konfekt. Leitung
99.460.9999.9 10W
21.04.2008 Weisensel F.
M 1:1