

Data sheet

Commercial Art.No.: 46.032.4453.1

Connector RST16i3 S S1 ZT3 SW

RST16i3 connector, 3 pole, male, screw connection, application 250V with PE, 16A, for cable diameters 7.1-13mm, coding color black, color of housing black



Commercial Art.No.	46.032.4453.1
EAN	4049088570070
Order Unit	1

Certificates / Approvals



LR

RINA



Technical data

General

Rated current	16 A
Rated voltage	250 V
Rated impulse voltage	4 kV
strain relief	yes
Pollution degree	3
Lockable	self-locking (unlocking by hand)
Color of coding/ contact carrier	black
Marking of poles	L, N, PE
Color of housing inclusive strain relief	black

Connection Data

Cable diameter max.	13 mm
Cable diameter min.	7.1 mm
Connection cross section solid mm ² max.	2.5 mm ²
Connection cross section solid mm ² min.	0.25 mm ²
Connection cross section fine stranded mm ² max.	2.5 mm ²
Connection cross section fine stranded mm ² min.	0.25 mm ²
Terminations per pole	1
sheath strip length	25 mm
Wire strip length	8 mm

Model

Model	male
Connection type	screw connection
Degree of protection (IP)	IP66/68 (3m;2h) /IP69

Material

Housing material	Polyamide
halogen free	yes
Contact material	CuZn
Fire load	0.113 kWh
Insulation components continuous temperature	100 °C
Surface finish	Silver-plated

Dimensions

Length	72 mm
Width	24 mm
Height	24 mm

Note

Note	RST® terminals with screw clamping allow the connection of conductors without special preparation (without ferrules) according to EN 60999-1.
------	---

Classification

ECLASS 11	
ECLASS 8.1	27440605
ETIM 7.0	EC002560
ETIM 6.0	EC002560
ETIM 5.0	EC002560
ETIM 4.0	EC002560

Accessories

Commercial Art.No.:	Article-type description:	Description:
06.563.8853.1	Cover for male connector SW	RST16i3/2 cover piece, for covering unused male connectors, color schwarz
06.563.8953.1	Cover for male connector SW	RST16i3/2 cover piece, for covering unused male connectors, with fastening belt, color schwarz

Fits with

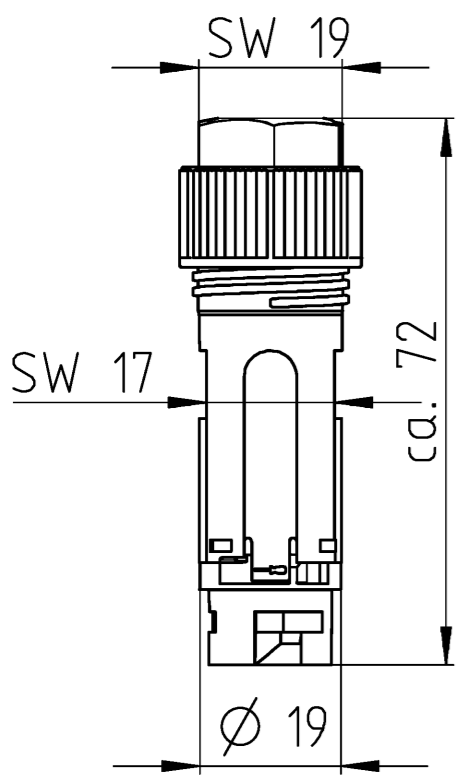
Commercial Art.No.:	Article-type description:	Description:
46.031.5053.1	Device connector RST16i3 S B1 M02 SW	RST16i3 device connector M16, 3 pole, female, screw connection, application 250V with PE, 16A, coding color black
46.030.1253.1	Distributor RST16i3V 2P1 TGVG SW	RST16i3 distribution block, 3 pole, application 250V with PE, 16 A, 1 input and 2 outputs, fastening option with separate mounting plate, coding color black
46.031.4453.1	Connector RST16i3 S B1 ZT3 SW	RST16i3 connector, 3 pole, female, screw connection, application 250V with PE, 16A, for cable diameters 7.1-13mm, coding color black, color of housing black

A
 Weitergabe sowie Vervielfältigung dieses Dokuments, Verwertung und Mitteilung seines Inhalts sind verboten, soweit nicht ausdrücklich gestattet.
 The reproduction, distribution and utilization of this document as well as the communication of its contents to others without express authorization is prohibited.

B
 These dimensions will be especially checked at delivery
 Only inspection dimensions
 With /E marked dimensions are only valid for internal use

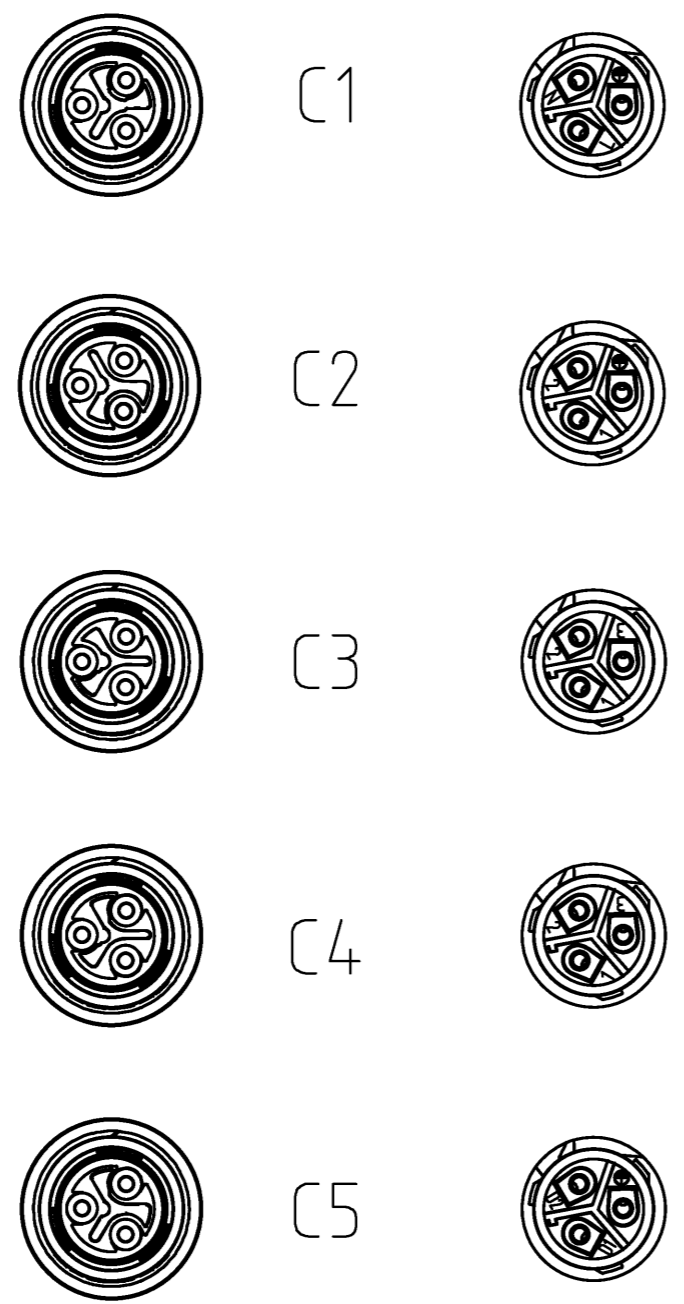
C
 Diese Maße werden bei Abnahme besonders geprüft
 Ausschließlich Prüfmaße
 Mit /E gekennzeichnete Maße sind nur für interne Zwecke gültig

F

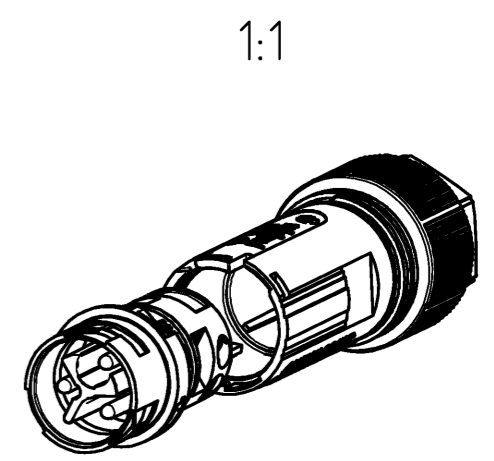
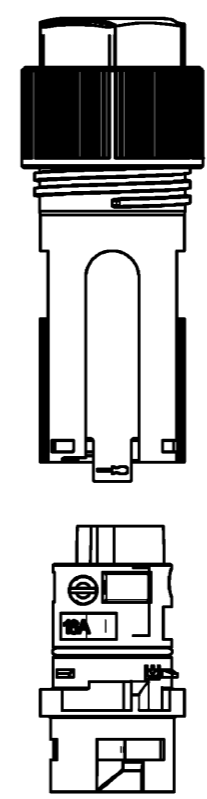


Kodierung
coding

Polkennzeichnung
pole marking



Auslieferungszustand
delivery condition



Bestellnummer part no.	Typ	Farbe colour	Kodierung coding
46.032.4453.0	RST1613 S S1 ZT3 GL	lichtgrau/lightgrey	C1
46.032.4453.1	RST1613 S S1 ZT3 SW	schwarz/black	
46.032.4455.7	RST1613 S S1 ZT3S GN	laubgrün/leafgreen	C2
46.032.4450.4	RST1613 S S1 ZT3S L BR	signalbraun/signalbrown	C3
46.032.4453.9	RST1613 S S1 ZT3S H BL	lichtblau/lightblue	C4
46.032.4450.6	RST1613 S S1 ZT3S A TB	türkisblau/turquoiseblue	C5

Weitere Daten siehe KATALOG oder eKatalog
 additional data see CATALOG or eCATALOG
www.wieland-electric.com
eshop.wieland-electric.com

Tolerierung Size ISO 14405 © / Tolerance system Size ISO 14405 ©.
 (This ISO-standard describes the envelope principle. According to the envelope principle the deviations of form and parallelism are limited by the size tolerances).

ja/yes Stoffverbots- und Deklarationsliste nach WN 5020.010 ist einzuhalten.
 Conformity with Wieland document WN 5020.010 e (list of prohibited / declarable hazardous substances) to be declared!

Freitoleranz nach General tolerance	CAD - Zeichnung, keine manuellen Änderungen CAD - drawing, no manual modifications allowed	1. Verwendung: First Use:	Blatt: Sheet: 1 von 1 of 1
	Werkstoff / Material	Tag/Date Name	Zeichnung Nr. / Drawing No.
	Maßstab / Scale 1:1	gezeichnet drawn 23.01.2020 Duetsch T.	T 46.032.4453.0 13K
	Vol. mm ³ Dfl./Srf. mm ²	geprüft checked Normgepr. Stand. check	Maße in mm / Dimensions are in mm

Index	Datum / Blatt Date / Sheet	www.wieland-electric.com	Type RST1613	Benennung/Title STECKERTEIL+ZE male with strain relief 3P RST Schraubanschluß/screw connection
Änderung / Revision				