

Data sheet

Commercial Art.No.: 73.354.0635.1

Hood BAS GOT GI 6HM32 69 A1

Hood revos basic made of aluminum, for single locking lever with threaded hole M32 on the top, high version, 6-poles



Commercial Art.No.	73.354.0635.1
EAN	4015573844223
Order Unit	1

Technical data

General

Housing material	aluminum
Color	Grey
Surface	With powder coating
Degree of protection (IP)	IP65
UV resistant	yes
Inflammability class of insulation material acc. with UL94	Other
Operating temperature range min.	-40 °C
Operating temperature range max.	120 °C

Model

Construction	6H
Locking mechanism	Single locking lever
Cable entry	Above
Type of cable	Thread
With cable screw gland	No
Thread size M	32
Thread size PG	
Hinged lid	No
EMC-version	No
Length	74 mm
Width	43 mm
Height	70 mm

Classification

ECLASS 11	
-----------	--

ECLASS 8.1	27440202
ETIM 7.0	EC000437
ETIM 6.0	EC000437
ETIM 5.0	EC000437
ETIM 4.0	EC000437
ETIM 3.0	EC000437

Product compliance

REACH-SVHC conformity status	Compliant
------------------------------	-----------

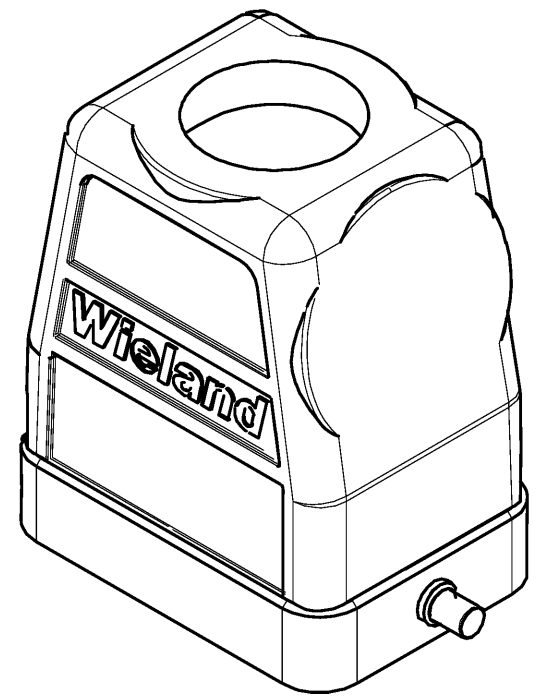
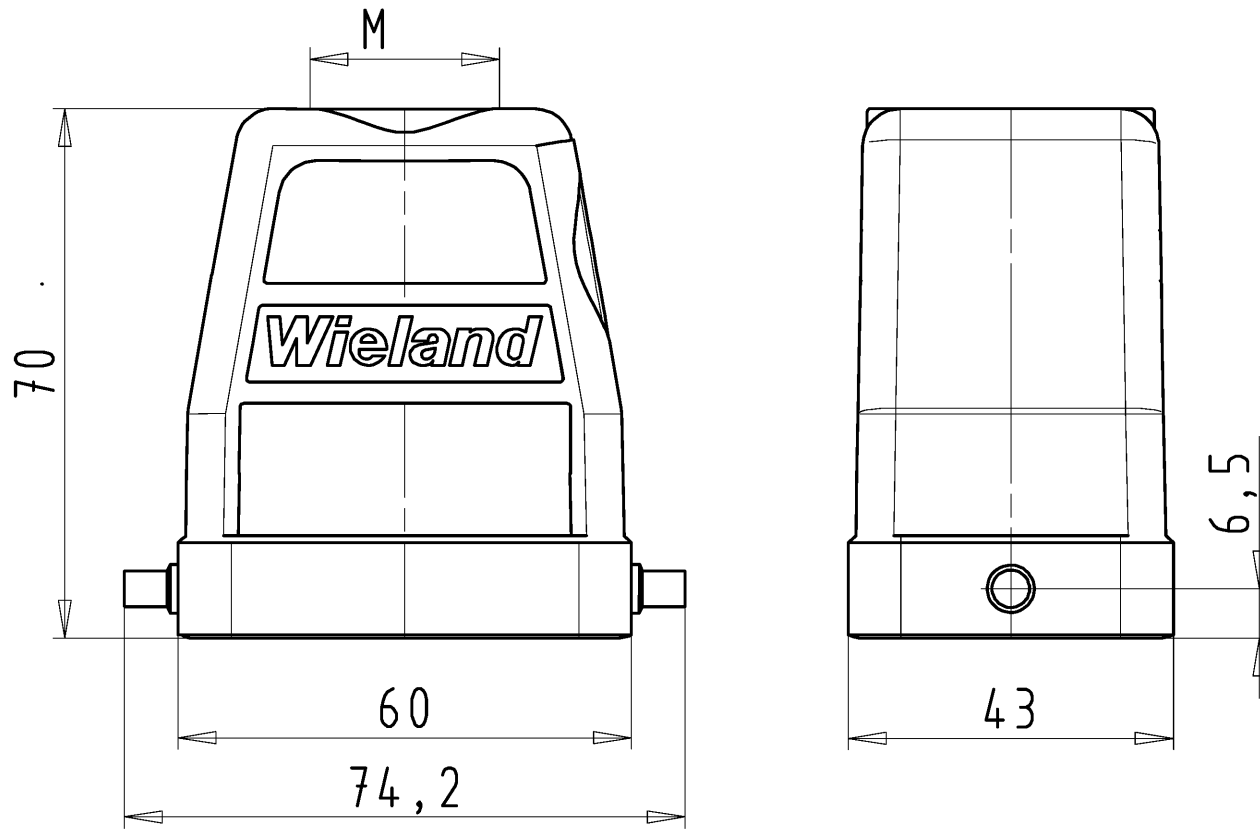
Fits with

Commercial Art.No.:	Article-type description:	Description:
70.300.0602.0	Female insert BAS BUS 6 2,5 50 AG	Female insert revos basic, 6-poles, rated current: 16A, rated voltage: 500V, with silver-plated contacts
70.300.0640.0	Female insert BAS BUS 6 2,5 50	Female insert revos basic, 6-poles, rated current: 16A, rated voltage: 500V, with tin-plated contacts
70.301.0640.0	Female insert BAS BUS 6 2,5 50 AU	Female insert revos basic, 6-poles, rated current: 16A, rated voltage: 500V, with gold-plated contacts
70.302.0640.0	Female insert BAS BUS OD 6 2,5 50	Female insert revos basic, 6-poles, rated current: 16A, rated voltage: 500V, with tin-plated contacts
70.310.0602.0	Male insert BAS BUS OD 6 2,5 50	Female insert revos basic, 6-poles, rated current: 16A, rated voltage: 500V, with tin-plated contacts
70.310.0640.0	Male insert BAS STS 6 2,5 50	Male insert revos basic, 6-poles, rated current: 16A, rated voltage: 500V, with tin-plated contacts
70.311.0640.0	Male insert BAS STS 6 2,5 50 AU	Male insert revos basic, 6-poles, rated current: 16A, rated voltage: 500V, with gold-plated contacts
70.312.0640.0	Male insert BAS STS OD 6 2,5 50	Male insert revos basic, 6-poles, rated current: 16A, rated voltage: 500V, with tin-plated contacts
70.500.0653.0	Female insert BAS BUF 6 2,5 50	Female insert revos basic, 6-poles, rated current: 16A, rated voltage: 500V, with silver-plated contacts
70.510.0653.0	Male insert BAS STF 6 2,5 50	Male insert revos basic, 6-poles, rated current: 16A, rated voltage: 500V, with tin-plated contacts
70.502.0653.0	Female insert BAS BUM 6 2,5 50 AG	Female insert revos basic, 6-poles, rated current: 16A, rated voltage: 500V, with silver-plated contacts
70.512.0653.0	Male insert BAS STM 6 2,5 50 AG	Male insert revos basic, 6-poles, rated current: 16A, rated voltage: 500V, with silver-plated contacts
70.700.0658.0	Female insert BAS BUC 6 50	Female insert revos basic, 6-poles, rated current: 16A, rated voltage: 500V, with tin-plated contacts
70.710.0658.0	Male insert BAS STC 6 50	Male insert revos basic, 6-poles, rated current: 16A, rated voltage: 500V, with tin-plated contacts
72.300.0653.0	Female insert BAS BUS 6 2,5 69	Female insert revos basic, 6-poles, rated current: 16A, rated voltage: 690V, with tin-plated contacts
72.310.0653.0	Male insert BAS STS 6 2,5 69	Male insert revos basic, 6-poles, rated current: 16A, rated voltage: 690V, with tin-plated contacts
72.700.0658.0	Female insert BAS BUC 6 69	Female insert revos basic, 6-poles, rated current: 16A, rated voltage: 690V, with tin-plated contacts
72.710.0658.0	Male insert BAS STC 6 69	Male insert revos basic, 6-poles, rated current: 16A, rated voltage: 690V, with tin-plated contacts
73.800.2453.0	Female insert DD BUC 24 1,5 25	revos DD 24 pole + ground, female insert 250V/10A, crimp connection
73.810.2453.0	Male insert DD STC 24 1,5 25	revos DD 24 pole + ground, male insert 250V/10A, crimp connection
70.405.0653.0	Female insert BAS BUP 6 2,5 50 AG	Female insert revos basic, 6-poles, rated current: 16A, rated voltage: 500V, with silver-plated contacts

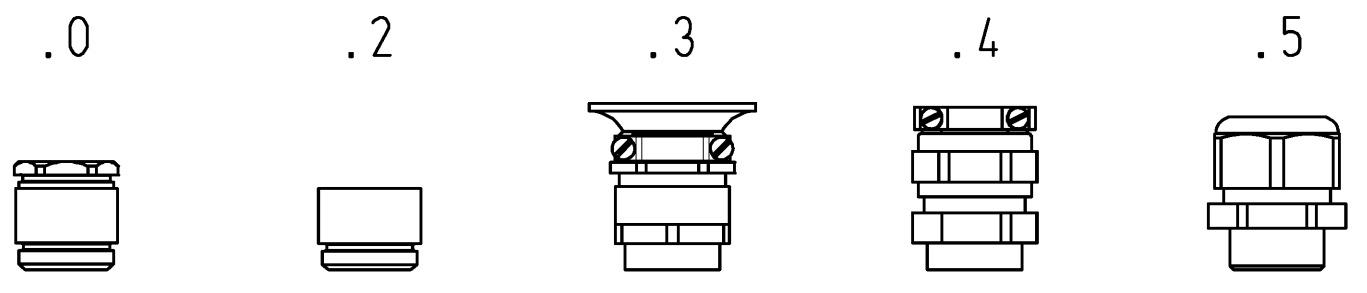
70.415.0653.0	Male insert BAS STP 6 2,5 50 AG	Male insert revos basic, 6-poles, rated current: 16A, rated voltage: 500V, with silver-plated contacts
70.810.1056.0	Male insert BAS STCK 10 50 PC	Male insert revos basic, 10-poles, polycarbonate insert, rated current: 16A, rated voltage: 500V, with gold-plated or silver-plated contacts

These dimensions will be especially checked at delivery
 Only inspection dimensions
 With /E marked dimensions are only valid for internal use

Diese Maße werden bei Abnahme besonders geprüft
 Ausschließlich Prüfmaße
 Mit /E gekennzeichnete Maße sind nur für interne Zwecke gültig



Varianten/ Variants



73.35 ⁴ / ₂ .0635.5	BAS GOT GI	6H	M32	A5	Kabelverschraubung(KV), IP65 /Cable gland(CG), IP65	
73.35 ⁴ / ₂ .0635.4	BAS GOT GI	6H	M32	A4	KV mit Zugentlastung, IP54 /CG with strain relief, IP54	
73.35 ⁴ / ₂ .0635.3	BAS GOT GI	6H	M32	A3	KV mit Zugentlastung und Knickschutz, IP54 /CG with strain relief and bend support, IP54	
73.35 ⁴ / ₂ .0635.2	BAS GOT GI	6H	M32	A2	Zwischenstutzen /Bushing	
73.35 ⁴ / ₂ .0635.1	BAS GOT GI	6H	M32	A1	Gewindebohrung /Thread hole	X
73.35 ⁴ / ₂ .0635.0	BAS GOT GI	6H	M32	A0	Kabelverschraubung(KV), IP54 /Cable gland(CG), IP54	
Bestellnummer /Order number	Typ /Type		Varianten /Variants		dar- gestellt /drawn	

Weitere Daten siehe KATALOG oder eKatalog.
 Additional data see CATALOG or eCatalog.
www.wieland-electric.com
eshop.wieland-electric.com

Tolerierung Size ISO 14405(®)/Tolerance system Size ISO 14405(®). (This ISO-standard describes the envelope principle. According to the envelope principle the deviations of form and parallelism are limited by the size tolerances).				ja/yes <input checked="" type="checkbox"/> Stoffverbots- und Deklarationsliste nach UU-TQM-05/03 ist einzuhalten. Conformity with Wieland document UU-TQM-05/03 (list of prohibited / declarable hazardous substances) to be declared!					
Freitoleranz nach General tolerance		DIN ISO 2768 - m		CAD - Zeichnung, keine manuellen Änderungen CAD - drawing, no manual modifications allowed		1.Verwendung: First Use:		Blatt: 1 von 1 Sheet: of 1	
/		Werkstoff/Material		2014 Tag/Date		Name		Zeichnung Nr./Drawing No.	
/		Aluminium		gezeichnet drawn		06.06.		Treschan	
/		beschichtet/ coated		geprüft checked		-		-	
/		Maßstab/Scale		Normgepr. Stand. check		-		-	
/		1:1		grau/ grey		-		-	
/		Vol.		mm ³ Of l./Surf.		mm ²		Ersatz für/Replacement for: -	
/		www.wieland		Type		Benennung/Title		Index	
/		www.wieland-electric.com		revos		GEHAEUSEOBERTE IL		-	
/		Index		Datum / Blatt Date / Sheet		Baugröße 6H-Kabelabgang 1x M25/M32 von oben hood size 6H-cable outlet 1x M25/M32 above		-	
/		Änderung/Revision		-		-		-	

Weitergabe sowie Vervielfältigung dieses Dokuments, Verwertung und Mitteilung seines Inhalts sind verboten, soweit nicht ausdrücklich gestattet.
 The reproduction, distribution and utilization of this document as well as the communication of its contents to others without express authorization is prohibited.