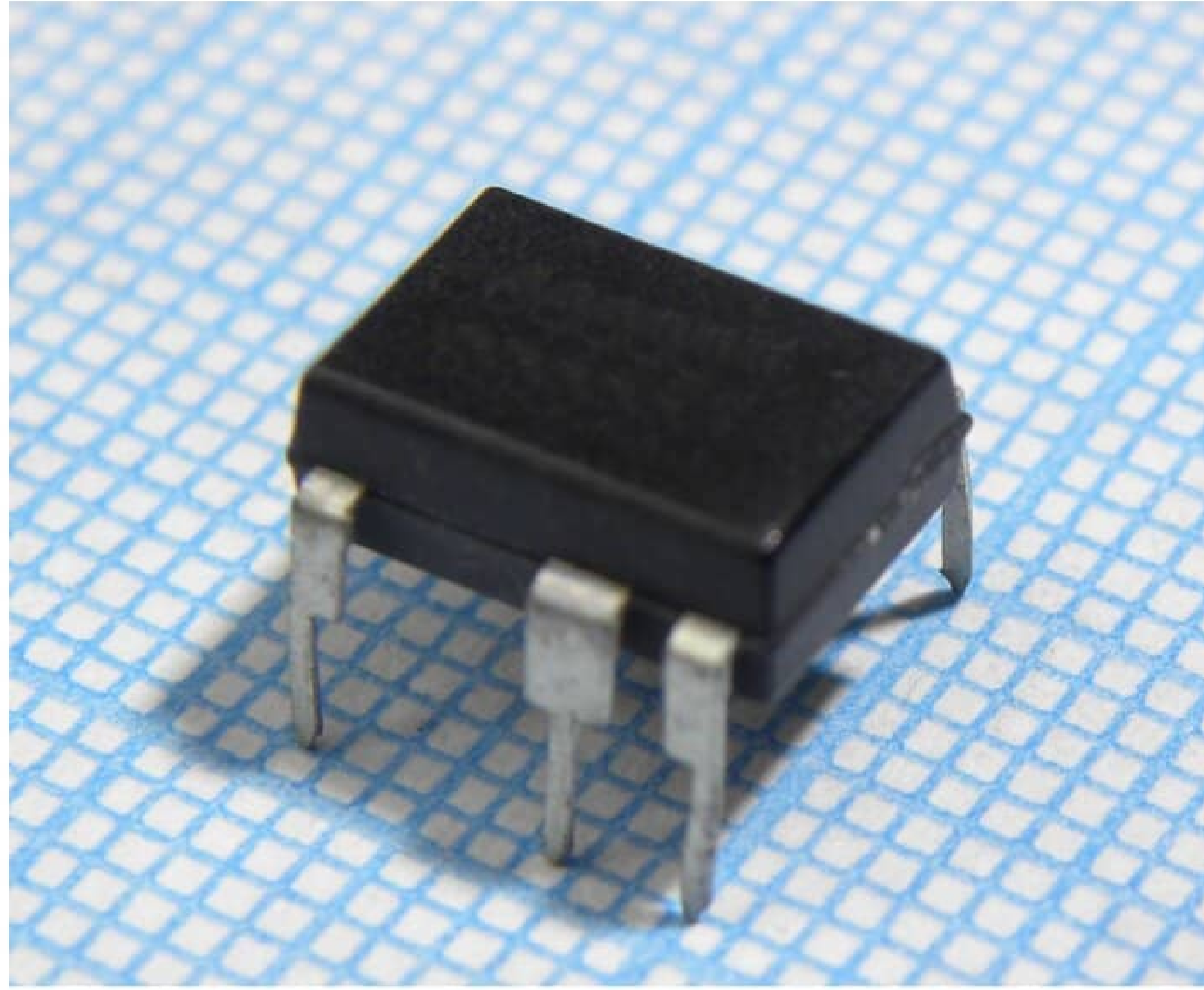
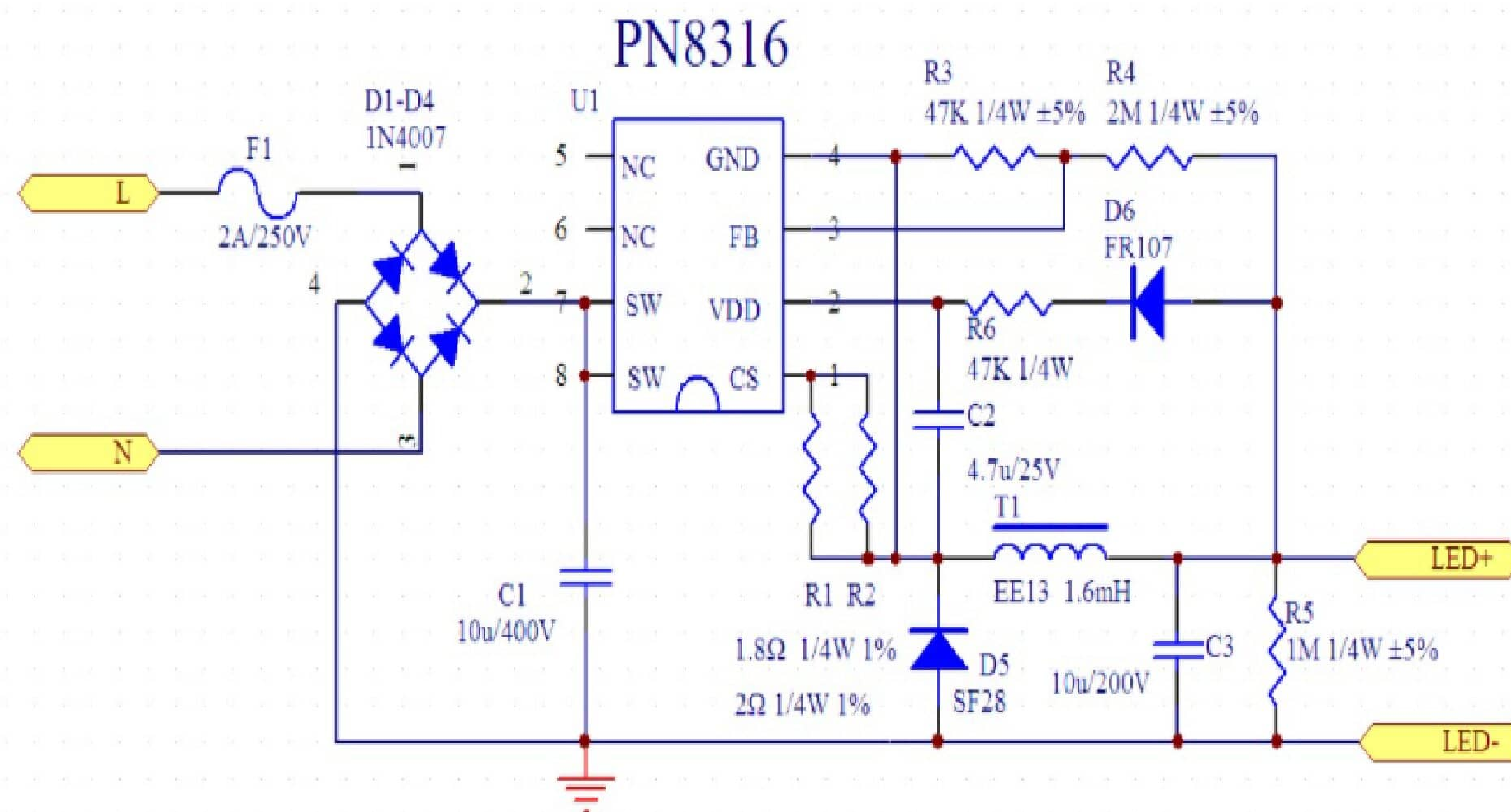


PN8316, LED-драйвер



Design Schematic



Features

Vin: 176~264V

Po : 22.4W

Vo : 80V

Io : 280mA±3%

η : 88%