

Data sheet

Commercial Art.No.: 96.032.4155.7

Connector RST20i3S S1 ZR2 VH GN0

RST20i3 connector, 3 pole, male, screw connection, application 250/400V with PE, 20A, for cable diameters 10-14mm, coding color leaf green, color of housing black



Commercial Art.No.	96.032.4155.7
EAN	4015573875111
Order Unit	1

Certificates / Approvals



Technical data

General

Rated current	20 A
Rated voltage	250 V / 400 V
Rated impulse voltage	4 kV
strain relief	yes
Pollution degree	3
Lockable	self-locking (unlocking by tool)
Color of coding/ contact carrier	leaves green
Marking of poles	1, 2, PE
Color of housing inclusive strain relief	black

Connection Data

Cable diameter max.	14 mm
Cable diameter min.	10 mm
Connection cross section solid mm ² max.	6 mm ²
Connection cross section solid mm ² min.	0.75 mm ²
Connection cross section solid AWG min.	16 AWG
Connection cross section solid AWG max.	10 AWG
Connection cross section fine stranded mm ² max.	6 mm ²
Connection cross section fine stranded mm ² min.	0.75 mm ²
Terminations per pole	1
Connection cross section stranded mm ² min.	0.75 mm ²
Connection cross section stranded mm ² max.	6 mm ²
Connection cross section stranded AWG min.	16 AWG
Connection cross section stranded AWG max.	10 AWG
sheath strip length	26.5 mm

Wire strip length	8 mm
-------------------	------

Model

Model	male
Connection type	screw connection
Degree of protection (IP)	IP66/68 (3m;2h) /IP69

Material

Housing material	Polyamide
halogen free	yes
Contact material	CuZn
Fire load	0.272 kWh
Insulation components continuous temperature	100 °C
Surface finish	Silver-plated

Dimensions

Length	79.1 mm
Width	34.6 mm
Height	34.6 mm

Classification

ECLASS 11	
ECLASS 8.1	27440605
ETIM 7.0	EC002560
ETIM 6.0	EC002560
ETIM 5.0	EC002560
ETIM 4.0	EC002560

Note

Note	RST® terminals with screw clamping allow the connection of conductors without special preparation (without ferrules) according to EN 60999-1.
------	---

Product compliance

ROHS conformity status	Compliant/Exempted
ROHS exceptions	III-6(c)
REACH-SVHC conformity status	Duty-To-Declare
REACH-SVHC substances	Lead
REACH-SVHC CAS numbers	7439-92-1

Accessories

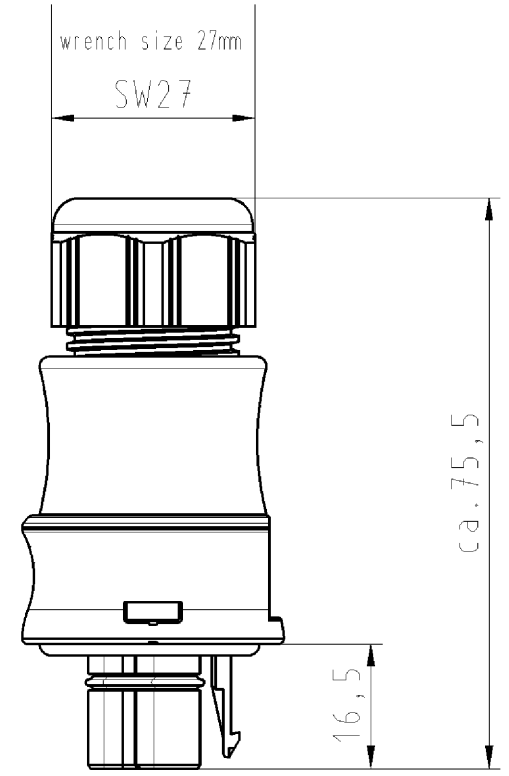
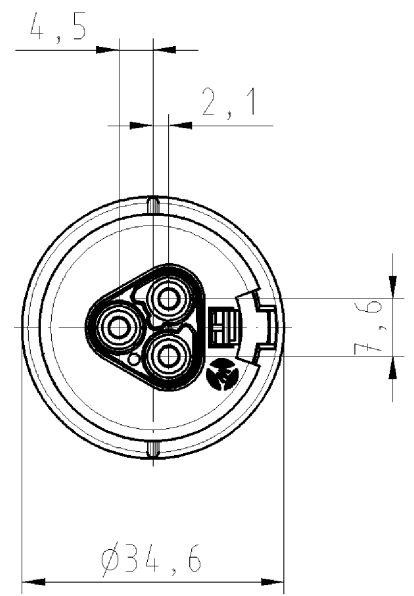
Commercial Art.No.:	Article-type description:	Description:
05.564.4453.1	Cover for male connector SW	RST20i3/2 cover piece, for covering unused male connectors, color black
99.416.6205.2	Cover for male connector SW	RST20i3/2 cover piece, for covering unused male connectors, with fastening belt, color black

Fits with

Commercial Art.No.:	Article-type description:	Description:
96.030.0155.7	Distributor RST20I3V 3P1 F V H GN0	RST20i3 distribution block, 3 pole, application 250/400V with PE, 20A, 1 input and 3 outputs, with fastening option, coding color leaf green, color of housing leaf green
96.233.1031.7	Cable assembly RST20I3K1BS 25 H 10GN0	RST20i3 extension cable female - male, 3 pole, assembled with shrinkage tube, application 250/400V with PE, 20A, cable type H07RN-F, length 1.0m, cross section 2.5mm ² , coding color leaf green
96.031.4155.7	Connector RST20I3S B1 ZR2SH GN0	RST20i3 connector, 3 pole, female, screw connection, application 250/400V with PE, 20A, for cable diameters 10-14mm, coding color leaf green, color of housing black
96.033.4155.7	Connector RST20I3S B1 YR2S H GN0	RST20i3 connector (90° angled), 3 pole, female, screw connection, application 250/400V with PE, 20A, for cable diameters 10-14mm, coding color leaf green, color of housing black
96.031.5055.7	Device connector RST20I3S B1 M01 H GN0	RST20i3 device connector M25, 3 pole, female, screw connection, application 250/400V with PE, 20A, coding color leaf green
96.031.6155.7	Device connector RST20I3S B1 M03 H GN0	RST20i3 device connector M16, 3 pole, female, screw connection, modular, application 250/400V with PE, 20A, coding color leaf green, color of housing black
96.031.6055.7	Device connector RST20I3S B1 M00 H GN0	RST20i3 device connector M20, 3 pole, female, screw connection, modular, application 250/400V with PE, 20A, coding color leaf green, color of housing black
96.033.6055.7	Device connector RST20I3S B1 M90 H GN0	RST20i3 device connector (90° angled) M20, 3 pole, female, screw connection, modular, application 250/400V with PE, 20A, coding color leaf green, color of housing black

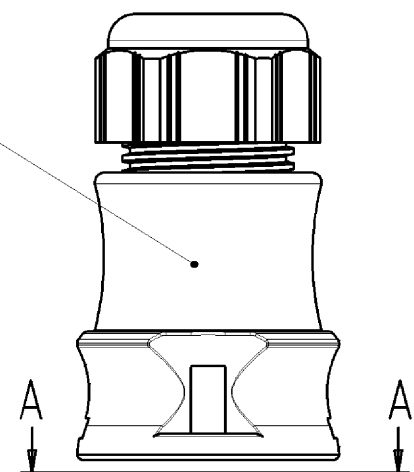
These dimensions will be especially checked at delivery
Only inspection dimensions
With /E marked dimensions are only valid for internal use

Diese Maße werden bei Abnahme besonders geprüft
Ausschließlich Prüfmaße
Mit /E gekennzeichnete Maße sind nur für interne Zwecke gültig

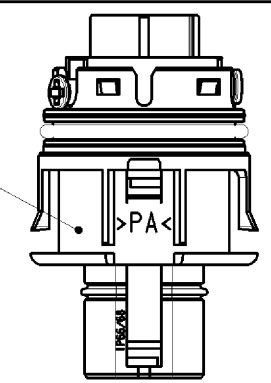


Auslieferungszustand delivery status

for cable diameter 10-14mm
für Kabeldurchm. 10-14mm
color: black,
similar to RAL 9005
Farbe: schwarz,
ähnl. RAL 9005

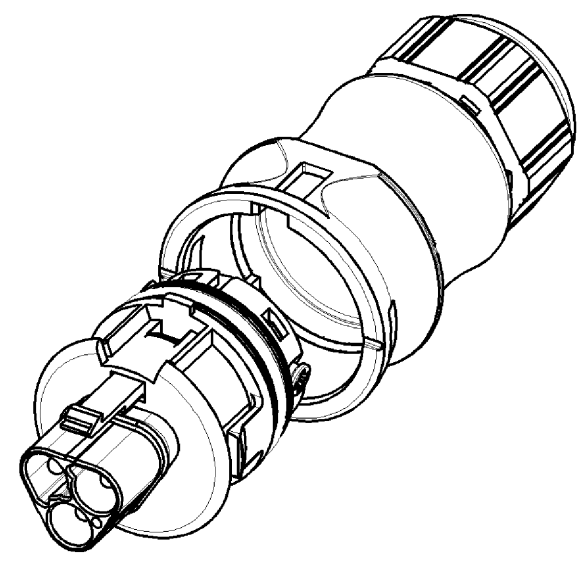
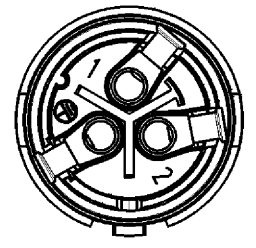


color: green,
similar to RAL 6002
Farbe: grün,
ähnl. RAL 6002



Verpackungseinheit: je 100 Stück
packaging unit: per 100

A-A



Type: RST2013S S1 ZR2SVH GN02

Tolerierung nach DIN 7167/Tolerance system acc. to DIN 7167. (This DIN-standard describes the envelope principle. According to the envelope principle the deviations of form and parallelism are limited by the size tolerances).		nein/no <input checked="" type="checkbox"/> Stoffverbots- und Deklarationsliste nach UU-TQM-05/03 ist einzuhalten. Conformity with Wieland document UU-TQM-05/03 (list of prohibited / declarable hazardous substances) to be declared!	
Freitoleranz nach General tolerance		CAD - Zeichnung, keine manuellen Änderungen CAD - drawing, no manual modifications allowed	
1. Verwendung: First Use:		Blatt: 1 von 1 Sheet: 1 of 1	
Werkstoff/Material		Zeichnung Nr./Drawing No.	
2005 Tag/Date		Name	
gezeichnet drawn		04.11. Kneitz	
geprüft checked			
Nichtgepr. Stand. check			
Maßstab/Scale		Index	
1:1		96.032.4155.7 01K	
Vol.		mm ³ Öl./Surf.	
Ersatz für/Replacement for:		Maße in mm/Dimensions are in mm	
Type		Benennung/Titel	
wieland		STECKERTEIL MIT ZUGENTLASTUNG	
Elektrische Verbindungen		male connector with cord grip Schraubanschluss ohne Drahtschutz für 400V screw-connection without wire protection for 400V	
Änderung/Revision			

Weitergabe sowie Vervielfältigung dieses Dokuments, Verwertung und Mitteilung seines Inhalts sind verboten, soweit nicht ausdrücklich gestattet. Die Reproduktion, Distribution und Utilization of this document as well as the communication of its contents to others without express authorization is prohibited.

960324155701K_4_CADW1019_Kneitz 2005-11-04T10:32:30 1.000 QU-PEM-08/91