

THIS DRAWING IS UNPUBLISHED.
DIFFUSION RESEINTE AMP

RELEASED FOR PUBLICATION

.19

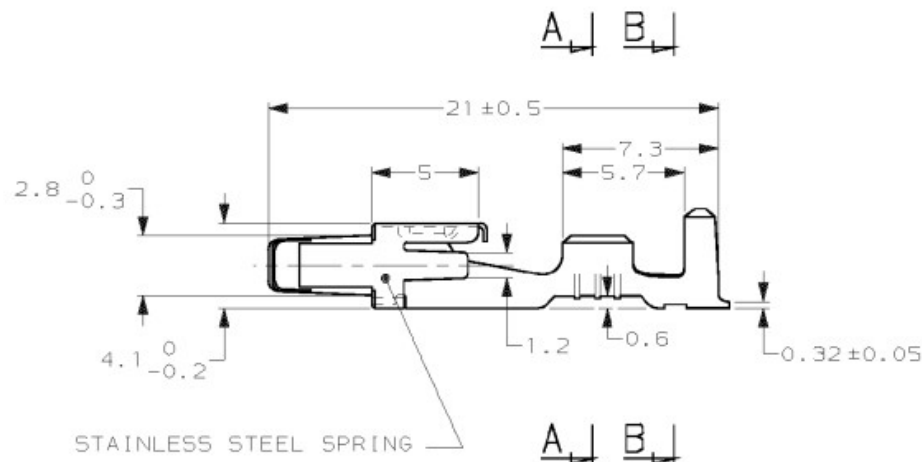
LOC F DISF 7

REVISIONS

© COPYRIGHT 19

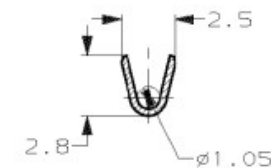
BY AMP INCORPORATED. ALL RIGHTS RESERVED.
TOUTS DROITS RESERVES

P	LTR	REV	DESCRIPTION MODIFICATIONS	DATE	DWN DESS.	APVD APP.
-	-	-		-	-	-

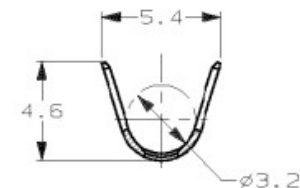


STAINLESS STEEL SPRING

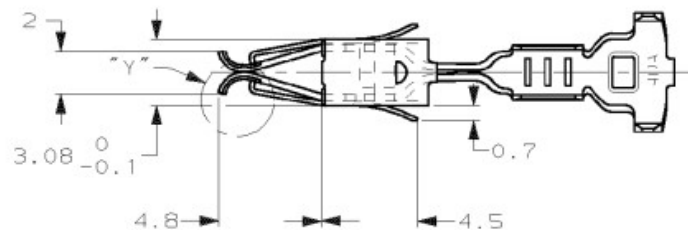
SECTION A-A



SECTION B-B



SCALE 10
"Y"



REFERENCE	MATERIAL - MATIERE	PLATING - FINITION
185026-3	CuSn4	SELECTIVE GOLD PLATING 0.4µm min DORURE SELECTIVE 0.4µm min
185026-1	CuSn4	TIN PLATING 0.8 TO 3.3 µm ETAMAGE 0.8 A 3.3 µm

THIS DRAWING IS A CONTROLLED DOCUMENT.
CE PLAN EST UN DOCUMENT CONTROLE.

DIMENSIONS:	TOLERANCES UNLESS OTHERWISE SPECIFIED, TOLERANCES NON SPECIFIEES (SUIV NB DE DECIMALES):
mm	0.150/DEC/3
	1.500/DEC/3 ±0.3
	2.500/DEC/3
	3.500/DEC/3
	4.500/DEC/3
ANGLES	±5°

MATERIAL MATIERE SEE TABLE FINISH FINITION SEE TABLE

DWN/DESSINE 18-JAN-99
Jacques LALANGE
CHK/VERIFIE 20-JAN-99
J. LALANGE
APVD/APPROUVE 20-JAN-99
JJ. REVIL

PRODUCT SPEC
SPEC. PRODUIT
108-15118
APPLICATION SPEC
SPEC. APPLICATION
114-15076

WEIGHT MASSE APPROX. 0.4g

CUSTOMER DRAWING/PLAN CLIENT

18-JAN-99
AMP 95301 PONTOISE
NAME TITRE

JUNIOR POWER TIMER RECEPTACLE

SIZE FORMAT A3
CAGE CODE 00779
DRAWING NO TITRE C-185026
RESTRICTED TO -

UNTOILEMENT POUR REFERENCE

SCALE ECHELLE 4,1 SHEET FEUILLE 1 OF 1 DE 1 REV 0