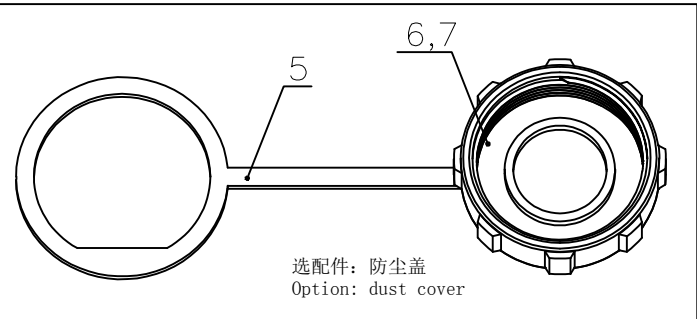
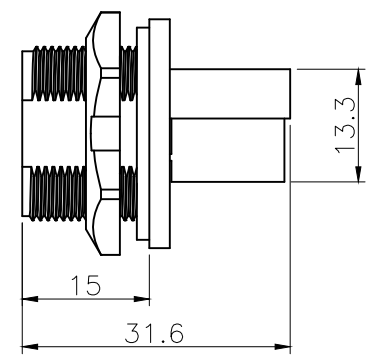


产品开孔尺寸



选配件: 防尘盖
Option: dust cover

7	E13 防尘帽防水圈 19.6*1.5 E13 Dust cap waterproof ring 19.6*1.5	硅胶 silica gel	黑色 Black	pc	1
6	E13 螺牙防尘盖 E13 Screw dust cover	塑胶 plastic	黑/蓝 Black/blue	pc	1
5	E10 防尘帽插条 E10 Dust cap insert	PE	黑色 Black	pc	1
4	E13 板前板后防水圈 24.8*1.5 E13 Waterproof ring 24.8*1.5	硅胶 silica gel	黑色 Black	pc	1
3	E13 法兰螺母 E13 flange nut	PA66	黑/蓝 Black/blue	pc	1
2	RJ45板后主体 RJ45 back mounting body	PA66	黑色 Black	pc	1
1	RJ45双网口180度 RJ45 dual network port 180°	RJ网口+PCB板 RJ network port +PCB board	镀金 gold plated	pc	1
No.	Specification	Material	Treat	Unit	Q'ty

技术参数(Technical specifications):

传输速率: transmission rate	符合TIA或EIA 568B的5E类/6A类D级/等级和符合ISO/IEC 11801 CAT5E/6A ,According to TIA or EIA 568B,According to ISO/IEC 11801
防水等级: Degree of protection	IP67
接触电阻: Contact resistance	$\cong 20m\Omega$
绝缘电阻: Insulation resistance	$\cong 500M\Omega$ at DC500V
工频耐电压: Withstand voltage	$\cong AC 1000V / 1$ 分钟 $\cong AC 1000V / 1$ minute
盐雾腐蚀: Salt spray corrosion	48小时 48 hours
POE:	60W / 2A

GENERAL TOLERANCE (UNLESS SPECIFIED)	DWN			
	CHK			
$\leq 10 \pm 0.1$ $< 10 \sim \leq 20 \pm 0.2$ $< 20 \sim \leq 50 \pm 0.5$ Angle $\pm 1^\circ$	APVD			TITLE RJ45-F-S/S-180
	UNIT MM	REV A		PART NO
	SIZE A4	SHEET 1 OF 1	DRAWING NO	