

Data sheet

Commercial Art.No.: 96.233.8003.1

Cable assembly RST20i3K1B- 25P 80SW

RST20i3 connection cable female - free end, 3 pole, assembled with shrinkage tube, application 250V with PE, 20A, cable type H05VV-F, length 8.0m, cross section 2.5mm², coding color black



Commercial Art.No.	96.233.8003.1
EAN	4015573760424
Order Unit	1

Certificates / Approvals



Technical data

General

Rated current	20 A
Rated voltage	250 V
Rated impulse voltage	4 kV
Pollution degree	3
Lockable	self-locking (unlocking by tool)
Color of coding/ contact carrier	black
Marking of poles	L, N, PE
Color of housing inclusive strain relief	black

Model

type of construction	Shrinkage tube
Connection type	Crimp
Nominal cross section conductor	2.5 mm ²
Degree of protection (IP)	IP66/68 (3m;2h)
Wire strip length	9 mm
sheath strip length	35 mm
Preparation of conductor ends	ultrasonically compressed wire ends
Cable type	H05VV-F
Cable color	black
Cable diameter min.	9.7 mm
Cable diameter max.	10.1 mm
Version of cable	female - free end
Type of cord set	connection cable

Version cable end 1	female
Version cable end 2	free end
Shielded	No

Material

Surface finish	Silver-plated
halogen free	No
Continuous temperature of cable	70 °C
Insulation components continuous temperature	100 °C
Fire load	4.66 kWh
Fire class	Eca

Dimensions

Total length	8 m
--------------	-----

Classification

ECLASS 11	
ECLASS 8.1	27440604
ETIM 7.0	EC002587
ETIM 6.0	EC002587
ETIM 5.0	EC002587
ETIM 4.0	EC002587

Note

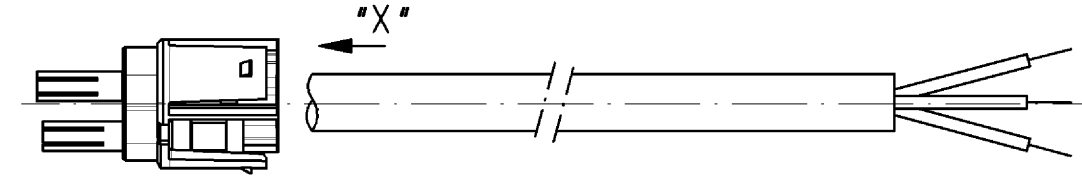
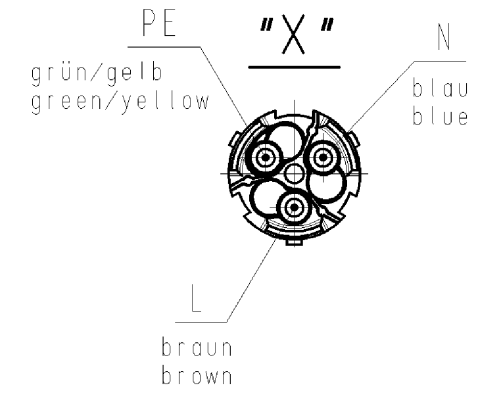
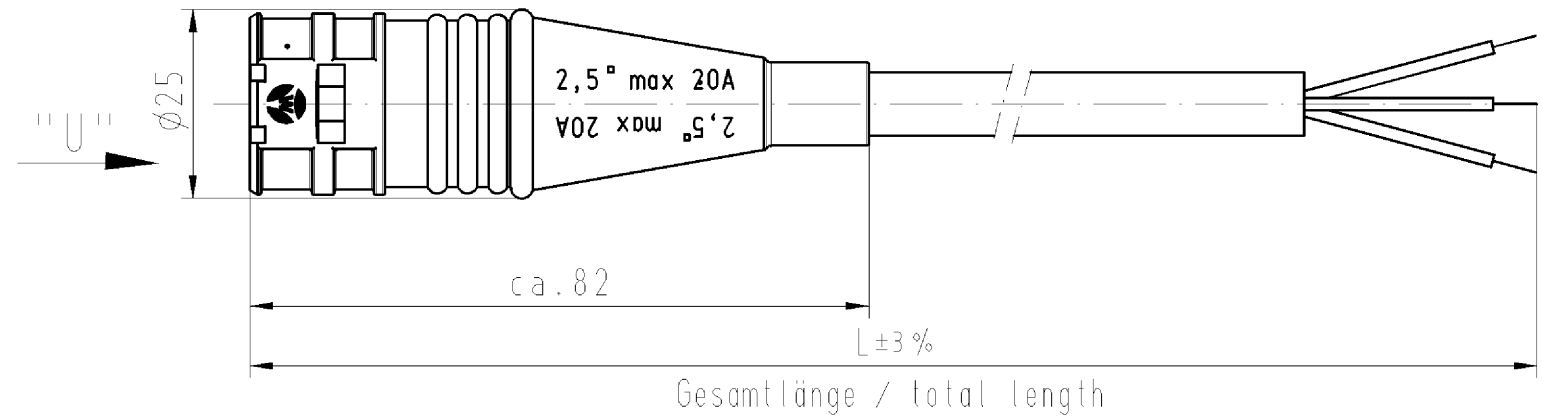
Note	The total length may vary up to + / - 3 %.
------	--

Product compliance

ROHS conformity status	Compliant/Exempted
ROHS exceptions	III-6(c)
REACH-SVHC conformity status	Duty-To-Declare
REACH-SVHC substances	Lead
REACH-SVHC CAS numbers	7439-92-1

These dimensions will be especially checked at delivery
 Only inspection dimensions
 With /E marked dimensions are only valid for internal use

Diese Maße werden bei Abnahme besonders geprüft
 Ausschließlich Prüfmaße
 Mit /E gekennzeichnete Maße sind nur für interne Zwecke gültig



.F	Farbe colour	Codierung "U"
.0	lichtgrau light grey	N
.1	schwarz black	

Weitere Daten siehe Katalog
 further data see catalog

Typ/type: RST2013K1B- 25P .. GL = lichtgrau/light grey
 SW = schwarz/black

Teile - Nr. part - no.	L	Beispiel (Farbe: schwarz) exampel (colour: black)	Typ type
96.233.XX03.F	XX in dm-Schritten	96.233.1003.1 = 10dm/L= 1000mm	RST2013K1B- 25P 10SW
U6.233.XX03.F	XX in m-Schritten	U6.233.1203.1 = 12 m/L=12000mm	RST2013K1B- 25P X12SW

Tolerierung nach DIN 7167/Tolerance system acc. to DIN 7167. (This DIN-standard describes the envelope principle. According to the envelope principle the deviations of form and parallelism are limited by the size tolerances).		ja/yes <input checked="" type="checkbox"/> Stoffverbots- und Deklarationsliste nach UU-TQM-05/03 ist einzuhalten. Conformity with Wieland document UU-TQM-05/03 (list of prohibited / declarable hazardous substances) to be declared!	
Freitoleranz nach General tolerance		CAD - Zeichnung, keine manuellen Änderungen CAD - drawing, no manual modifications allowed	
1. Verwendung: First Use:		Blatt: 1 von 1 Sheet: of 1	
Zeichnung Nr./Drawing No.		Index	
T		96.233.0403.0 01K	
Maße in mm/Dimensions are in mm			
Werkstoff/Material		2006 Tag/Date Name	
/		gezeichnet/drawn 28.03. Schmitt J.	
/ Maßstab/Scale		geprüft/checked - -	
/ %		Nahgepr. Stand. check - -	
/ Vol. mm ³ Ofl./Surf. mm ²		Ersatz für/Replacement for: -	
/		Type	
/		Benennung/Title	
/		KONFEKT_LEITUNG	
/		Buchse-freies Ende / female-free end pre-assembled cable	
Index Datum / Blatt Date / Sheet		wieland	
Änderung/Revision		Elektrische Verbindungen	

962330403001K_4_CADW1042_Schmitt 2006-03-30T14:16:24 1.000

Weitergabe sowie Vervielfältigung dieses Dokuments, auch auszugsweise, ist ohne schriftliche Genehmigung der Wieland-Werke AG. Die Reproduktion, Verbreitung und Nutzung dieses Dokuments ist ohne schriftliche Genehmigung der Wieland-Werke AG. The reproduction, distribution and utilization of this document as well as the communication of its contents to others without express authorization is prohibited.