

Data sheet

Commercial Art.No.: 96.021.4050.8

Connector RST20I2S B13ZR1S L KG0

RST20i3/2 connector, 2 pole, female, screw connection, application ~50V/-120V, 20A, for cable diameters 6-10mm, coding color pebble grey, color of housing black



Commercial Art.No.	96.021.4050.8
EAN	4015573955677
Order Unit	1

Certificates / Approvals



Technical data

General

Rated current	20 A
Rated voltage	50 V / 120 V
Rated impulse voltage	4 kV
strain relief	yes
Pollution degree	3
Lockable	self-locking (unlocking by tool)
Color of coding/ contact carrier	pebble grey
Marking of poles	+, -
Color of housing inclusive strain relief	black

Connection Data

Cable diameter max.	10 mm
Cable diameter min.	6 mm
Connection cross section solid mm ² max.	6 mm ²
Connection cross section solid mm ² min.	0.75 mm ²
Connection cross section solid AWG min.	16 AWG
Connection cross section solid AWG max.	10 AWG
Connection cross section fine stranded mm ² max.	6 mm ²
Connection cross section fine stranded mm ² min.	0.75 mm ²
Terminations per pole	1
Connection cross section stranded mm ² min.	0.75 mm ²
Connection cross section stranded mm ² max.	6 mm ²
Connection cross section stranded AWG min.	16 AWG
Connection cross section stranded AWG max.	10 AWG
sheath strip length	26.5 mm
Wire strip length	8 mm

Model

Model	female
Connection type	screw connection
Degree of protection (IP)	IP66/68 (3m;2h) /IP69

Material

Housing material	Polyamide
halogen free	yes
Contact material	CuZn
Fire load	0.292 kWh
Insulation components continuous temperature	100 °C
Surface finish	Silver-plated

Dimensions

Length	82 mm
Width	34.6 mm
Height	34.6 mm

Classification

ECLASS 11	
ECLASS 8.1	27440605
ETIM 7.0	EC002560
ETIM 6.0	EC002560
ETIM 5.0	EC002560
ETIM 4.0	EC002560

Note

Note	RST® terminals with screw clamping allow the connection of conductors without special preparation (without ferrules) according to EN 60999-1.
------	---

Product compliance

ROHS conformity status	Compliant/Exempted
ROHS exceptions	III-6(c)
REACH-SVHC conformity status	Duty-To-Declare
REACH-SVHC substances	Lead
REACH-SVHC CAS numbers	7439-92-1

Accessories

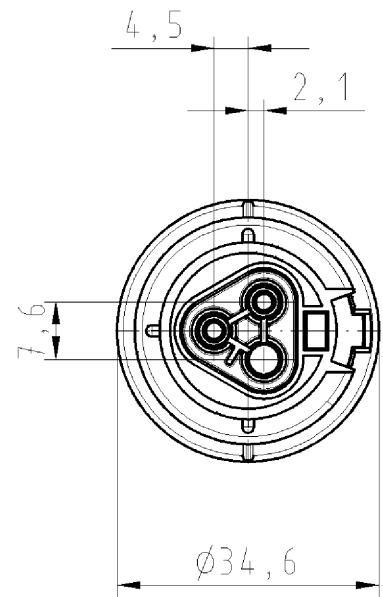
Commercial Art.No.:	Article-type description:	Description:
99.414.6205.2	Cover for female connector SW	RST20i3/2 cover piece, for covering unused female connectors, with fastening belt, color schwarz
Z5.564.4553.1	Cover for female connector SW	RST20i3/2 cover piece, for covering unused female connectors, color black

Fits with

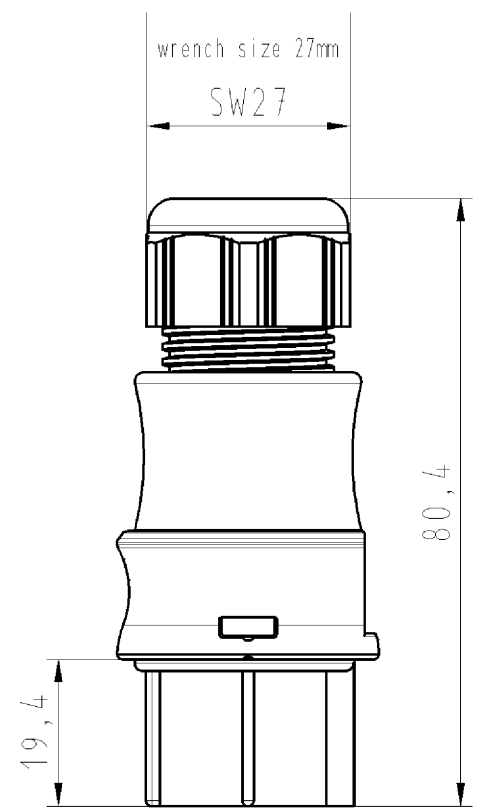
Commercial Art.No.:	Article-type description:	Description:

96.020.0150.8	Distributor RST20I2V 3P1 F V L KG0	RST20i3/2 distribution block, 2 pole, application ~50V/-120V, 20A, 1 input and 3 outputs, with fastening option, coding color pebble grey, color of housing pebble grey
96.022.4050.8	Connector RST20I2S S13ZR1SVL KG0	RST20i3/2 connector, 2 pole, male, screw connection, application ~50V/-120V, 20A, for cable diameters 6-10mm, coding color pebble grey, color of housing black
96.024.4050.8	Connector RST20I2S S13YR1SVB KG06	RST20i3/2 connector (90° angled), 2 pole, male, screw connection, application ~50V/-120V, 20A, for cable diameters 6-10mm, coding color pebble grey, color of housing black

These dimensions will be especially checked at delivery
Only inspection dimensions
With /E marked dimensions are only valid for internal use

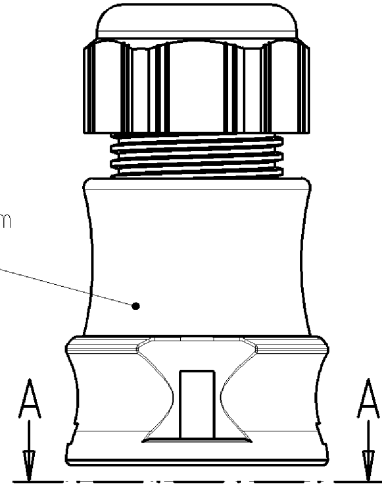


Diese Maße werden bei Abnahme besonders geprüft
Ausschließlich Prüfmaße
Mit /E gekennzeichnete Maße sind nur für interne Zwecke gültig

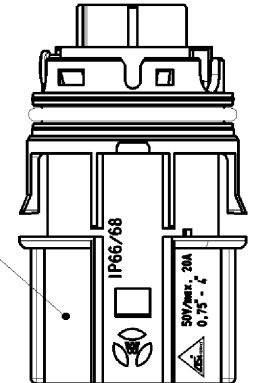


Auslieferungszustand delivery status

für Kabeldurchm. 6-10mm
for cable diameter 6-10mm
Farbe: schwarz,
ähnl. RAL 9005
color: black,
similar to RAL 9005

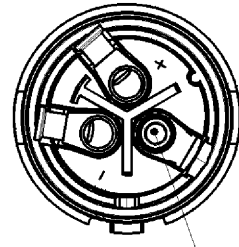


Farbe: kieselgrau,
ähnl. RAL 7032
color: pebble grey,
similar to RAL 7032

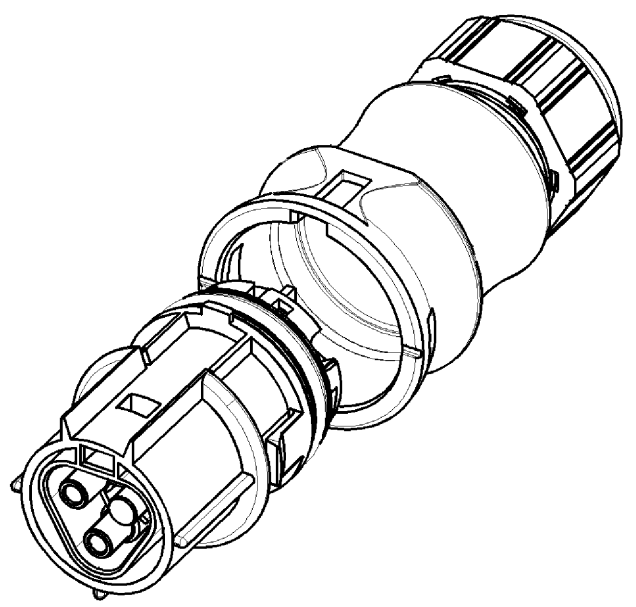


Verpackungseinheit: je 100 Stück
packaging unit: per 100

A-A



Pol unbestückt
pole unassembled



Weitergabe sowie Vervielfältigung dieses Dokuments, Verwertung und Mitteilung seines Inhalts sind verboten, soweit nicht ausdrücklich gestattet. Die Reproduktion, Distribution und Nutzung dieses Dokuments sowie die Kommunikation der Inhalte mit Dritten ohne schriftliche Genehmigung ist untersagt.

Type/type: RST20I2S B13ZR1S L KG06

Tolerierung nach DIN 7167/Tolerance system acc. to DIN 7167. (This DIN-standard describes the envelope principle. According to the envelope principle the deviations of form and parallelism are limited by the size tolerances).		ja/yes <input checked="" type="checkbox"/> Stoffverbots- und Deklarationsliste nach UU-TQM-05/03 ist einzuhalten. Conformity with Wieland document UU-TQM-05/03 (list of prohibited / declarable hazardous substances) to be declared!	
Freitoleranz nach General tolerance		CAD - Zeichnung, keine manuellen Änderungen CAD - drawing, no manual modifications allowed	
1. Verwendung: First Use:		Blatt: 1 von 1 Sheet: of 1	
Werkstoff/Material		Zeichnung Nr./Drawing No.	
2007 Tag/Date		Name	
gezeichnet drawn		01.02. Kneitz	
geprüft checked		-	
Nahgepr. Stand. check		-	
Maßstab/Scale		Index	
1:1		96.021.4050.8 01K	
Vol. mm ³ Ofl./Surf. mm ²		Maße in mm/Dimensions are in mm	
Ersatz für/Replacement for: -		Type	
wieland		Benennung/Titel	
Elektrische Verbindungen		BUCHSENTEIL MIT ZUGENTLASTUNG	
Index Datum / Blatt Date / Sheet		female connector with cord grip	
Änderung/Revision		Schraubanschluß ohne Drahtschutz/screw-connection without wire protection	
		Kodierung/keying 6 (24V/20A)	

960214050801K_4_CADW1019_Kneitz 2007-02-01T12:47:52 1:000