

## Data sheet

Commercial Art.No.: 76.352.2535.0

Hood HD GOT GI 25 M20 50 A0

Hood revos HD made of aluminum, for single locking lever with cable gland M20 on the top (IP54), low version, 25-poles



Commercial Art.No.	76.352.2535.0
EAN	4015573625853
Order Unit	1

## Technical data

### General

Housing material	aluminum
Color	Grey
Surface	With powder coating
Degree of protection (IP)	IP54
UV resistant	yes
Inflammability class of insulation material acc. with UL94	Other
Operating temperature range min.	-40 °C
Operating temperature range max.	120 °C

### Model

Construction	16/25
Locking mechanism	Single locking lever
Cable entry	Above
Type of cable	Gland nut
With cable screw gland	yes
Thread size M	20
Thread size PG	
Hinged lid	No
EMC-version	No
Length	90 mm
Width	33 mm
Height	70 mm

### Classification

ECLASS 11	
-----------	--

ECLASS 8.1	27440202
ETIM 7.0	EC000437
ETIM 6.0	EC000437
ETIM 5.0	EC000437
ETIM 4.0	EC000437
ETIM 3.0	EC000437

**Product compliance**

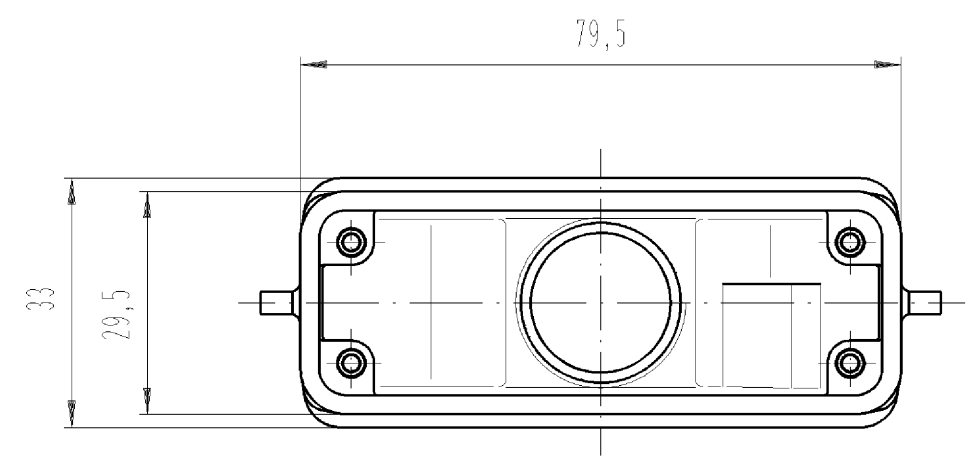
ROHS conformity status	Compliant/Exempted
ROHS exceptions	III-6(c)
REACH-SVHC conformity status	Duty-To-Declare
REACH-SVHC substances	Lead
REACH-SVHC CAS numbers	7439-92-1

**Fits with**

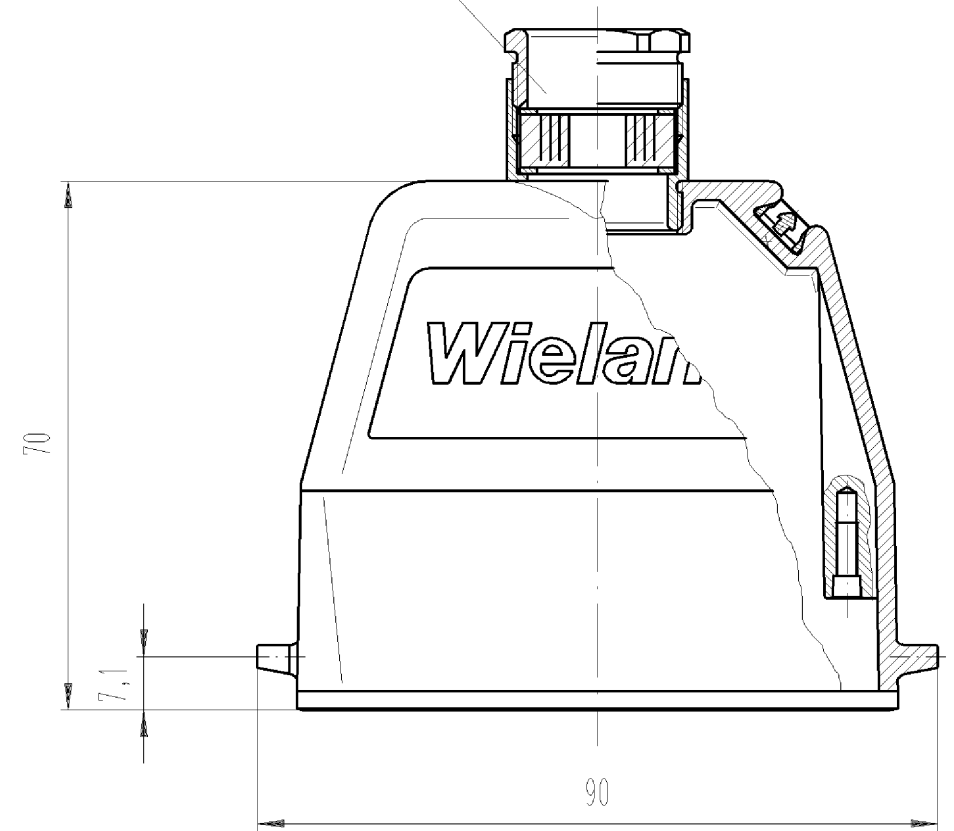
Commercial Art.No.:	Article-type description:	Description:
73.300.1653.0	Female insert HD BUS 16 2,5 25 AG	revos BASIC HD 16 pole + ground, female insert 250V/16A, screw connection
73.300.1653.3	Female insert HD BUS SB 16 2,5 25 AG	revos BASIC HD 16 pole + ground, female insert, marked 17-32, 250V/16A, screw connection
73.310.1653.0	Male insert HD STS 16 2,5 25 AG	revos BASIC HD 16 pole + ground, male insert 250V/16A, screw connection
73.310.1653.3	Male insert HD STS SB 16 2,5 25 AG	revos BASIC HD 16 pole + ground, male insert, marked 17-32, 250V/16A, screw connection
73.700.2553.0	Female insert HD BUC 25 25	revos HD 25 pole + ground, female insert 250V/10A, crimp connection
73.710.2553.0	Male insert HD STC 25 25	revos HD 25 pole + ground, male insert 250V/10A, crimp connection

These dimensions will be especially checked at delivery  
 Only inspection dimensions  
 With ±/∅ marked dimensions are only valid for internal use

Diese Maße werden bei Abnahme besonders geprüft  
 Ausschließlich Prüfmaße  
 Mit ±/∅ gekennzeichnete Maße sind nur für interne Zwecke gültig

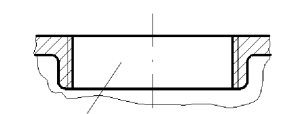


Verschraubung M20  
 cable gland M20



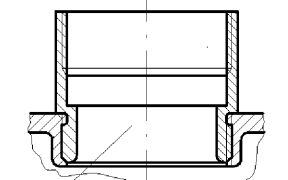
Ausführung .0  
 version .0

Ausführung .1  
 version .1



Gewinde M 20  
 thread M 20

Ausführung .2  
 version .2



Stützen eingeklebt M 20  
 intermediate support M 20

Weitere Daten siehe Katalog  
 further data see catalog

Teile-Nr. part number	Typ type
76.352.2535.0	HD GOT GI 25 M20 50 A0
76.352.2535.1	HD GOT GI 25 M20 50 A1
76.352.2535.2	HD GOT GI 25 M20 50 A2

Tolerierung nach DIN 7167/Tolerance system acc. to DIN 7167. (This DIN-standard describes the envelope principle. According to the envelope principle the deviations of form and parallelism are limited by the size tolerances).				ja/yes <input checked="" type="checkbox"/> Stoffverbots- und Deklarationsliste nach UU-TQM-05/03 ist einzuhalten. Conformity with Wieland document UU-TQM-05/03 (list of prohibited / declarable hazardous substances) to be declared!			
Freitoleranz nach General tolerance		CAD - Zeichnung, keine manuellen Änderungen CAD - drawing, no manual modifications allowed		1. Verwendung: First Use: -		Blatt: 1 von 1 Sheet: of 1	
/		Werkstoff/Material		2008 Tag/Date Name		Zeichnung Nr./Drawing No. Index	
/		Maßstab/Scale		gezeichnet drawn 25.11 Schmitt J.		T 76.352.2535.0 01K	
/		1:1		geprüft checked - -		Maße in mm/Dimensions are in mm	
/		Vol. mm³ Ofl./Surf. mm²		Nahgepr. Stand. check - -		Ersatz für/Replacement for: -	
/		wieland		Type		Benennung/Title	
/		Elektrische Verbindungen		GEHAEUSE-OBERTeil		Größe/size 25 M 20 von oben Hood, single looking lever top cable entry	
Index Datum / Blatt Date / Sheet		Änderung/Revision					

Weitergabe sowie Vervielfältigung dieses Dokuments, Verwertung und Mitteilung seines Inhalts sind verboten, soweit nicht ausdrücklich gestattet. Die Reproduktion, Distribution und Utilization of this document as well as the communication of its contents to others without express authorization is prohibited.

763522535001K\_4\_CADW1042\_Schnitt 2008-12-01(T1)4:57:21 1.000