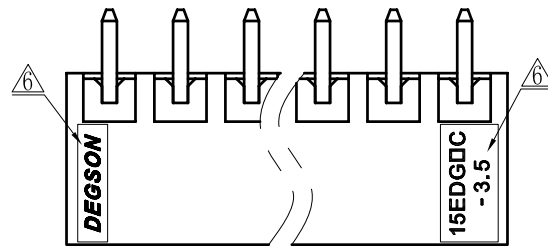
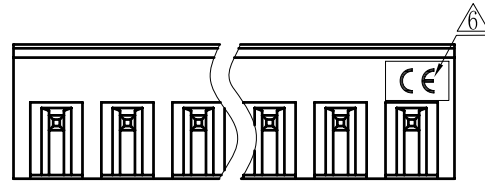
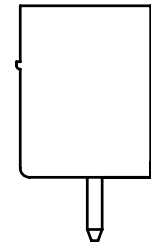
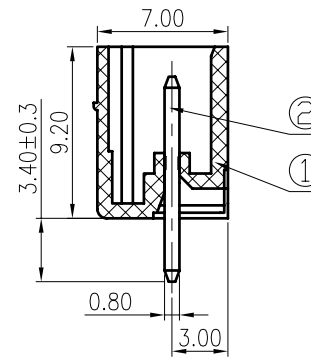
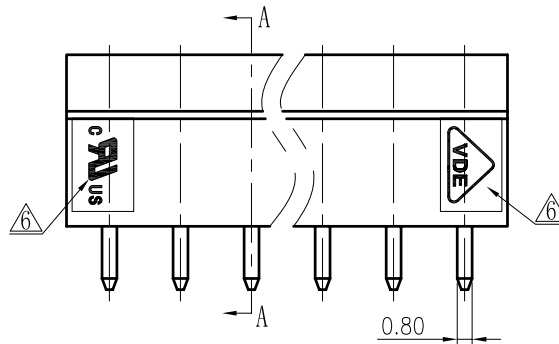
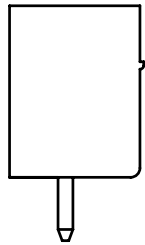
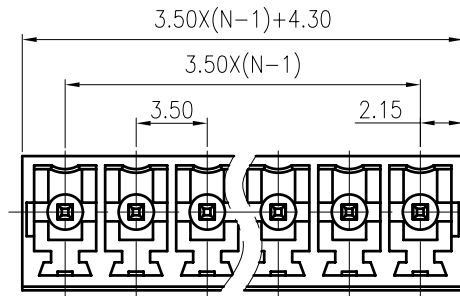


REVISION RECORD				
REV	ECD	DESCRIPTION	DRFT	DATE
2		增加UL刻字	Ye j	10/16/06
3		更新图面	LJH	03/01/08
4		老模新开更改刻字	WLM	07/14/08
5		增加自动化方针	WLM	10/29/08
6		增加M, C刻字及修改刻字, 2中取消卡槽	Zengy	04/11/09



Notes:

- Pitch: 3.5mm, Poles: 2-24P
- Rated voltage/current: UL 300V/8A
VDE 250V/7A
- Operation temperatures: -40°C~+105°C
- Withstanding Voltage: AC2000V/1min
- Insulation Resistance: 5000MΩ/DC1000V
- Undimensioned Tolerances:

Pitch range in mm		Nominal dimension range in mm						
	over 6	over 10	over 30	over 60	over 100	over 150	—	
to 6	to 10	to 24	to 30	to 60	to 100	to 150	∩ □	
±0.10	±0.15	±0.25	±0.2	±0.3	±0.5	±0.7	±1.0	0.005/0.10

2	15EDGVC-Pin header	1002B00060 (H)	XX	Brass	Automatic assembly
2	15EDGVC-Pin header	1002B00010 (H)	XX	Brass	Manual assembly

ITEM	NAME OF PART	NO. OF PART	Q"TY	MATERIAL	NOTES																																								
1	15EDGVC-3.5-Housing	1002A0YXXA (H)	1	PA66	UL94V-0																																								
DETACHED LISTS		<table border="1"> <tr> <td>MM (INCH)</td> <td>±</td> <td>DFTD Home</td> <td>DATE 12/09/05</td> </tr> <tr> <td>TOLERANCES EXCEPT AS NOTED</td> <td></td> <td>CHKD</td> <td>DATE</td> </tr> <tr> <td></td> <td></td> <td>MFD</td> <td>DATE</td> </tr> <tr> <td></td> <td></td> <td>APPVL</td> <td>DATE</td> </tr> <tr> <td>MM</td> <td>±</td> <td colspan="2">MATERIAL :</td> </tr> <tr> <td>.0 ±</td> <td>±</td> <td colspan="2">G.E :</td> </tr> <tr> <td>.00 ±</td> <td>±</td> <td colspan="2">FINISH:</td> </tr> <tr> <td>.000 ±</td> <td>±</td> <td colspan="2">SCALE : 1:1</td> </tr> <tr> <td>ANGLES ± 1°</td> <td></td> <td colspan="2">DO NOT SCALE DRAWING</td> </tr> <tr> <td>THIRD ANGLE PROJECTION</td> <td></td> <td colspan="2">SHEET 1 OF 1</td> </tr> </table>				MM (INCH)	±	DFTD Home	DATE 12/09/05	TOLERANCES EXCEPT AS NOTED		CHKD	DATE			MFD	DATE			APPVL	DATE	MM	±	MATERIAL :		.0 ±	±	G.E :		.00 ±	±	FINISH:		.000 ±	±	SCALE : 1:1		ANGLES ± 1°		DO NOT SCALE DRAWING		THIRD ANGLE PROJECTION		SHEET 1 OF 1	
MM (INCH)	±	DFTD Home	DATE 12/09/05																																										
TOLERANCES EXCEPT AS NOTED		CHKD	DATE																																										
		MFD	DATE																																										
		APPVL	DATE																																										
MM	±	MATERIAL :																																											
.0 ±	±	G.E :																																											
.00 ±	±	FINISH:																																											
.000 ±	±	SCALE : 1:1																																											
ANGLES ± 1°		DO NOT SCALE DRAWING																																											
THIRD ANGLE PROJECTION		SHEET 1 OF 1																																											
<p>DEGSON® 宁波高正电子有限公司 DEGSON ELECTRONICS CO., LTD</p> <p>NAME 15EDGVC-3.5-XXP-1Y-00A(H)</p> <p>DRAWING NO. 15EDGVC-3.5-E02 SIZE A3 REV T6 04/11/09</p> <p>/PART NO.</p>																																													