

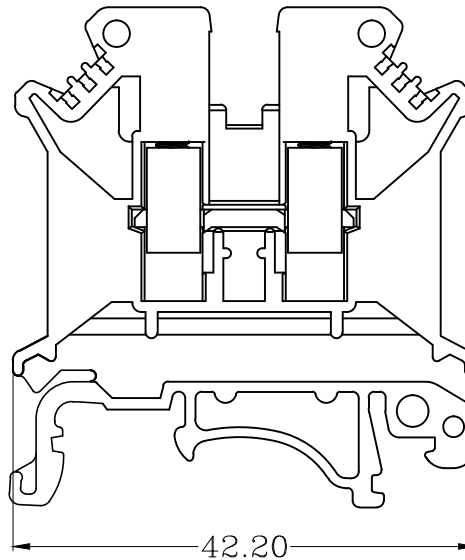
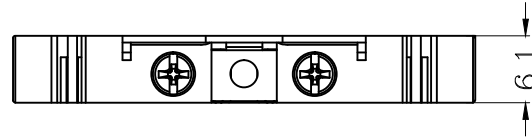
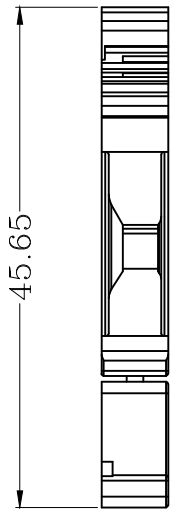


宁波速普电子有限公司

NINGBO SUPU ELECTRONICS.CO.,LTD

产品规格书

Product Specification



订货信息/Order Info

订货号 Part Number	颜色 Color
305991	灰色/Gray
305992	蓝色/Blue
305994	橙色/Orange
305995	红色/Red
305996	黑色/Black
305997	黄色/Yellow
305998	白灰色/Light gray

IEC 额定数据/IEC Rated data

接线范围/Wire range	0.2-4mm ²		
单股导线/Solid	0.2-6mm ²		
软导线/Stranded	0.2-4mm ²		
带端头软导线/Stranded with ferrules without plastic sleeve	0.25-4mm ²		
带预绝缘端头软导线/Stranded with ferrules with plastic sleeve	0.25-4mm ²		
剥线长度/Strip length	8-9mm		
额定电压/Rated voltage	800V		
额定电流/Rated current	32A		
耐电压/Rated surge voltage	8KV		
污染等级/Pollution level	3		
过电压等级/Overvoltage category	III		
UL 额定数据/UL Rated data	B	C	D
额定电流/Rated current	30A	30A	
额定电压/Rated voltage	600V	600V	
接线范围/Wire range	30-10AWG		

其他信息/Other information

塑件/Housing	PA66		
触点材料/Contact	铜合金/Copper alloy		
镀层/Coating	镍/Nickel		
阻燃等级/Flame retardant rating	V0		
储存及运输环境温度/ Storage ambient temperature	-40℃ - +85℃		
使用环境温度/Usage ambient temperture	-25℃ - +70℃		
螺钉类型/Screw-thread	M3		
扭矩/Tightening torque	0.6-0.8 Nm		
导轨尺寸/rails Size	SP35X7.5/SP35X15/SP32X7.5		

认证/Approval



单位/Unit mm

Rev. 01

Name SUK 5 轨装螺钉接线端子
SUK 5 Rail-mounted terminal
block with screw clamp