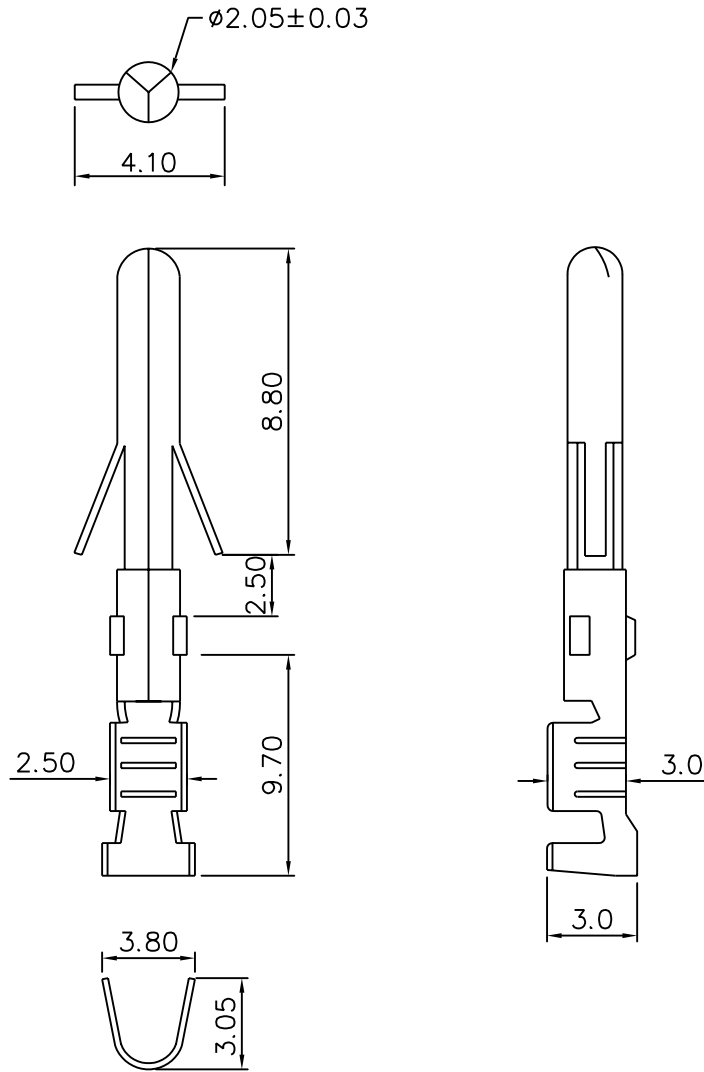


SPECIFICATIONS :
 Applicable Wire : AWG #16-20
 Material : Brass
 Finish: Tin Plated 4u"
 Hardness : SH
 Thickness : 0.25mm
 Q'ty : 7000 Pcs/Roll



AUK A MEMBER OF AUK GROUP
太聯事業股份有限公司
AUK CONTRACTORS CO., LTD.

CATEGORY		Terminal		APPROVED BY		MEI		UNLESS OTHERWISE SPECIFIED TOLERANCES ARE .X .XX AWG.				
PART No.		DPM		CHECKED BY		RAN						
DRAWING No.		DPM		DRAWING BY		LXH						
SCALE	NONE	REV.	A	UNIT	mm				AREA	REVISIONS	CHK	DATE