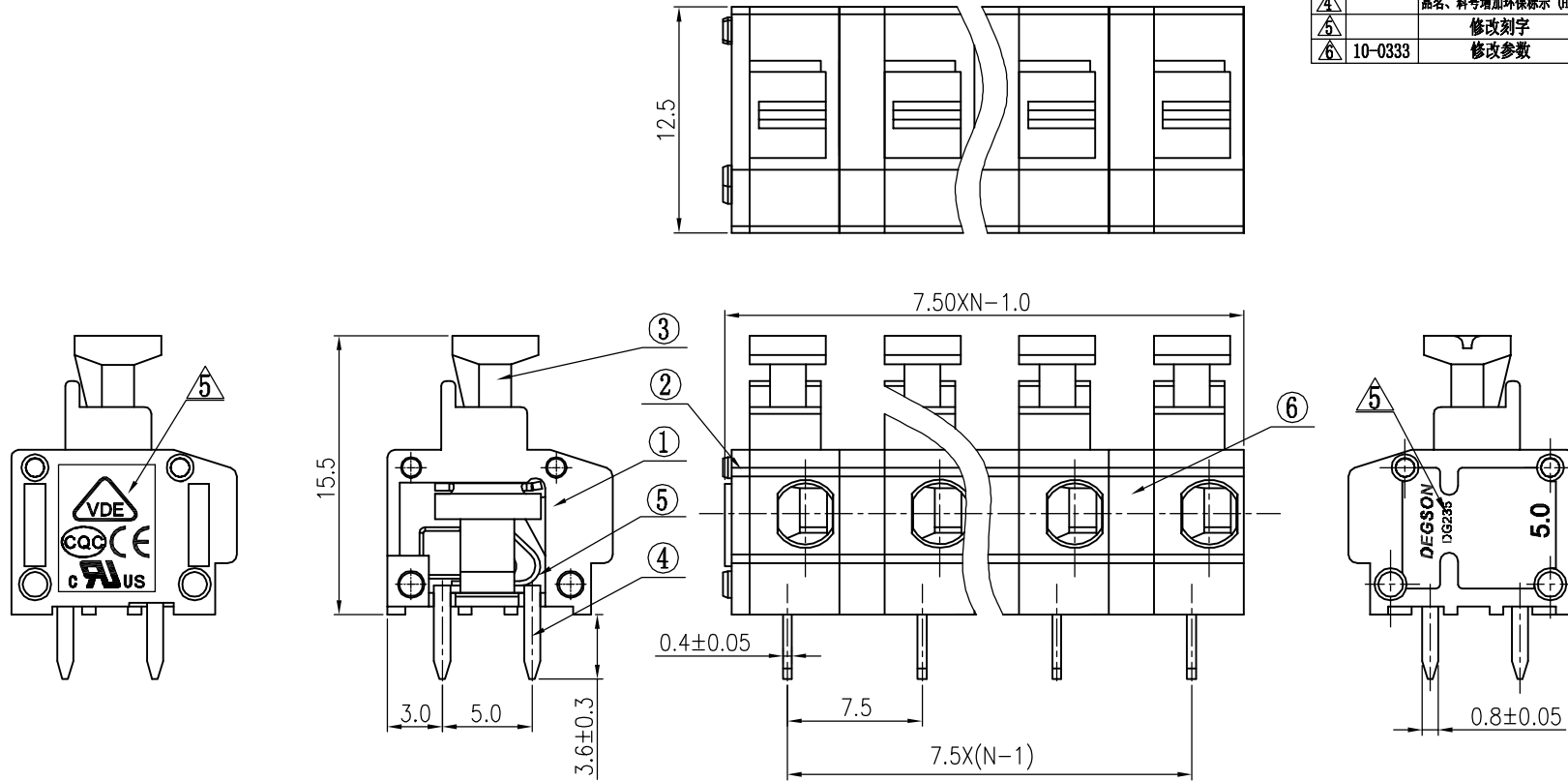


REVISION RECORD				
REV	ECN	DESCRIPTION	DRFT	DATE
△		图面更新	HW	04/11/06
△		图面更新	WF	01/31/07
△		品名、料号增加环保标示“(H)”	LJH	12/08/07
△		修改刻字	LJH	10/30/08
△	10-0333	修改参数	ZXX	10/04/10



Notes:

1. Pitch:7.5mm , Poles:2-XXP
2. Rated voltage/current:UL 300V/5A
VDE 450V/15A
3. Operation temperatures:-40℃~+105℃
4. Withstanding Voltage:AC2000V/1min
5. Insulation Resistance:5000MΩ/DC1000V
6. Wire Range:20~18AWG, 0.2~1.5mm² (str)
0.2~2.5mm² (sol)
7. Undimensioned Tolerances:

Pitch range in mm			Nominal dimension range in mm					
	over 6	over 10		over 30	over 60	over 100	over 150	∩
to 6	to 10	to 24	to 30	to 60	to 100	to 150		□
±0.10	±0.15	±0.25	±0.2	±0.3	±0.5	±0.7	±1.0	0.05/10

6	DG235-Calpboard	3008H0Y01A (H)	XX-1	PA66	UL94V-0
5	DG235-5.0-Spring	X000000140 (H)	XX	Stainless Steel	
4	DG235-5.0-Pin header	3008B00010 (H)	XX	Phosphor Bronze	SnCe
3	DG235-5.0 Button	3008D0Y01A (H)	XX	PA66	UL94V-0
2	DG235-5.0 Cover	3008C0Y01A (H)	1	PA66	UL94V-0
1	DG235-5.0 Housing	3008A0Y01A (H)	XX	PA66	UL94V-0
ITEM	NAME OF PART	NO. OF PART	Q'TY	MATERIAL	NOTES

DETACHED LISTS	MM (INCH)	DFTO Haoyh	DATE 07/16/05	宁波高正电子有限公司 DEGSON ELECTRONICS CO., LTD
	TOLERANCES EXCEPT AS NOTED	CHKD	DATE	
		MFO	DATE	
		APPVL	DATE	
	MM			NAME
	.0 ±	±		DG235-7.5-XXP-1Y-00A(H)
	.00 ±	±		DRAWING NO. DG235-7.5-E01
	.000 ±	±		/PART NO.
	ANGLES ± 1°	G.E :		SIZE A3
	THIRD ANGLE PROJECTION	FINISH :		REV T6
		SCALE : 1:1		10/04/10
			DO NOT SCALE DRAWING	SHEET 1 OF 1