

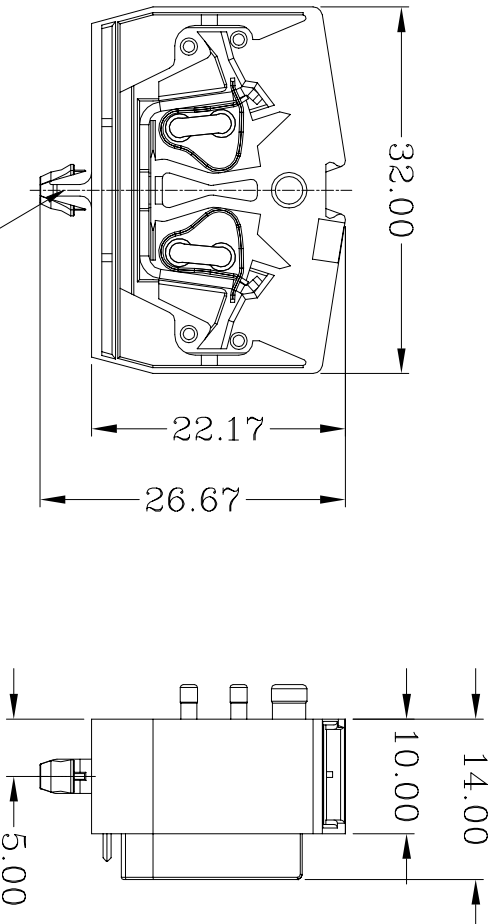
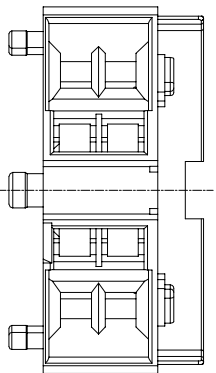


宁波速普电子有限公司

NINGBO SUPU ELECTRONICS.CO.,LTD

产品规格书

Product Specification



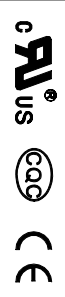
未注尺寸公差:

Pitch Range	mm		In		Nominal Dimension		Range		- / ∇
	Over	TO	Over	TO	Over	TO	Over	TO	
6	6	10	30	60	100	150	0.1/10		
10	10	24	60	100	150				
24	24	30	60	100	150				
30	30	50	60	100	150				
50	50	70	60	100	150				
70	70	100	60	100	150				
100	100	150	60	100	150				

订货信息 Order Info

PART NUMBER	颜色 COLOR
254341	灰色 Gray
254342	橙色 Orange
254343	白灰色 Light Gray
254344	蓝色 Blue
254345	黄色 Yellow
254346	绿色 Green
254347	黄绿色 Green-yellow

认证/Approval



IEC 额定数据/IEC Rated data

接线范围/Wire range	0.2-2.5mm ²
单股导线/Solid	0.2-2.5mm ²
软导线/Stranded	0.2-2.5mm ²
带端头软导线/Stranded with ferrules without plastic sleeve	0.2-1.5mm ²
带预绝缘端头软导线/Stranded with ferrules with plastic sleeve	0.2-1.5mm ²
剥线长度/Strip length	8-9mm
额定电压/Rated voltage	800V
额定电流/Rated current	24A
额定脉冲耐受电压/Rated surge voltage	8KV
污染等级/Pollution degree	3
过电压类别/Surge voltage category	III
UL 额定数据/UL Rated data	B C D
额定电流/Rated current	20A 20A —
额定电压/Rated voltage	600V 600V —
接线范围/Wire range	28-12AWG

其他信息/Other information

塑件/Housing	PA66
触点材料/Contact	铜合金/Copper alloy
镀层/Coating	锡/Tin Plated
阻燃等级/Flame retardant rating	UL94-V0
使用环境温度/Usage ambient temperature	-25°C - +70°C
储存及运输环境温度/Storage ambient temperature	-40°C - +85°C

单位/Unit	Rev.	Name
mm	01	25434X系列带螺钉正面接线端子 25434X series through terminal blocks with snap-in mounting feet of front-entry