

Data sheet

Commercial Art.No.: 91.931.9053.0

Device connector GST15I3S B1 R W WS

Device connectors, snap-in panel mount, GST15I3, 3 pole, female, screw connection, 250V/16A, material thickness 0,5 - 1,5 mm, color of coding: white, color of frame: white



Commercial Art.No.	91.931.9053.0
EAN	4015573833845
Order Unit	1

Certificates / Approvals



Technical data

General

Rated current	16 A
Rated voltage	250 V
Pollution degree	2
Mechanical coding	Code 1
Rated impulse voltage	4 kV
Lockable	self-locking (unlocking by tool)
Color of coding/ contact carrier	white
Marking of poles	L, N, PE
Color of separate adapter (if present)	white

Connection Data

Connection cross section solid mm ² max.	2.5 mm ²
Connection cross section solid mm ² min.	0.5 mm ²
Connection cross section fine stranded mm ² max.	2.5 mm ²
Connection cross section fine stranded mm ² min.	0.5 mm ²
Terminations per pole	1
Wire strip length	8 mm

Model

Model	female
Connection type	screw connection
Angle of plug	straight
Degree of protection (IP)	IP20
Thickness of housings (electrical device) 2	0.5 mm
Thickness of housings (electrical device)	1.5 mm

built-in component	snap-in
--------------------	---------

Material

Housing material	Polyamide
halogen free	yes
Contact material	CuZn
Fire load	0.037 kWh
Insulation components continuous temperature	100 °C
Surface finish	Silver-plated

Dimensions

Length	30.2 mm
Width	22 mm
Height	19.6 mm

Classification

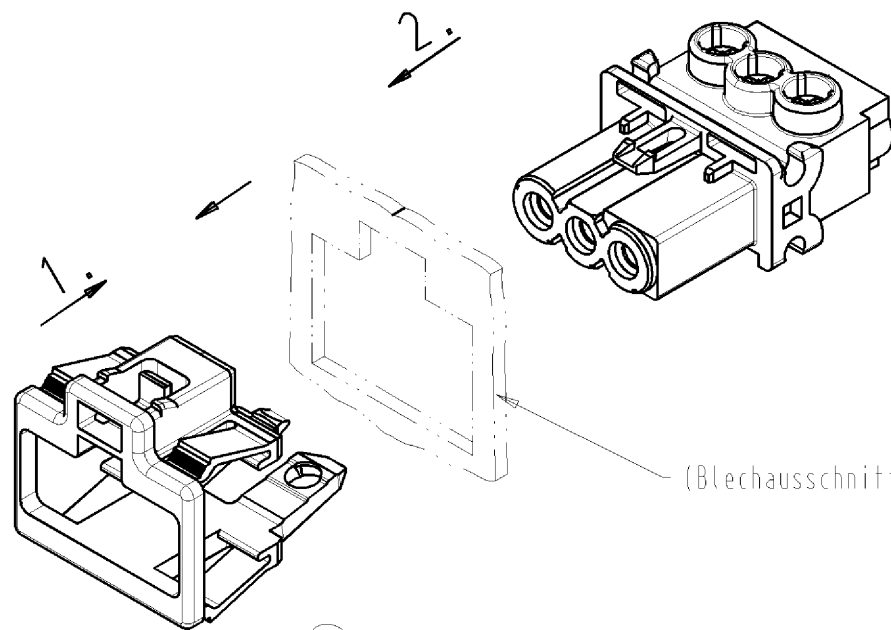
ECLASS 11	
ECLASS 8.1	27440602
ETIM 7.0	EC002566
ETIM 6.0	EC002566
ETIM 5.0	EC002566
ETIM 4.0	EC002566

Product compliance

ROHS conformity status	Compliant/Exempted
ROHS exceptions	III-6(c)
REACH-SVHC conformity status	Duty-To-Declare
REACH-SVHC substances	Lead
REACH-SVHC CAS numbers	7439-92-1

These dimensions will be especially checked at delivery
 Only inspection dimensions
 With /E marked dimensions are only valid for internal use

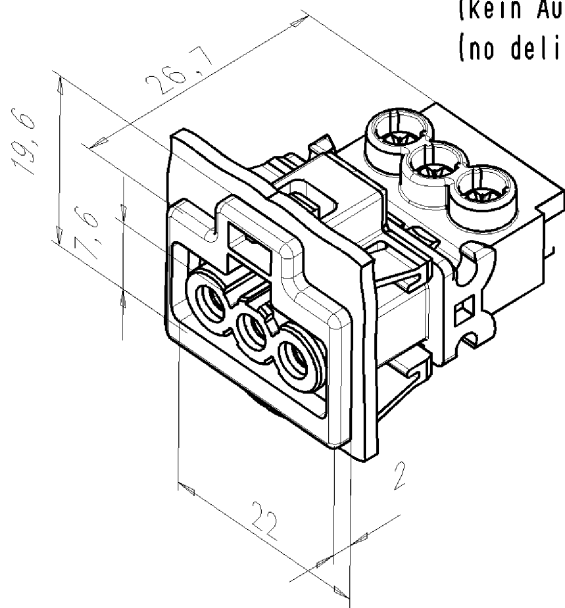
Diese Maße werden bei Abnahme besonders geprüft
 Ausschließlich Prüfmaße
 Mit /E gekennzeichnete Maße sind nur für interne Zwecke gültig



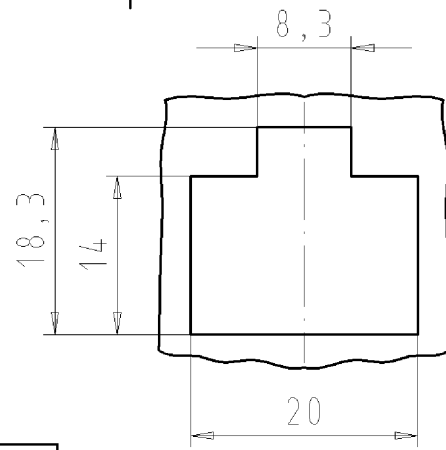
(Blechausschnitt / plate cut out)

(a)

montierter Zustand
 assembled condition
 (kein Auslieferungszustand)
 (no delivery condition)



Blechausschnitt
 plate cut out



Teile-Nr.: part no.	Farbe: colour
91.931.9053.0	weiß, ähnl. / white similar RAL 9003
91.931.9053.1	schwarz, ähnl. / black similar RAL 9005

Zulässige Abweichungen nach DIN 7167/Permissible deviations acc. to DIN 7167. (This DIN-standard describes the envelope principle. According to the envelope principle the deviations of form and parallelism are limited by the size tolerances). ja/yes Stoffverbots- und Deklarationsliste nach UU-TQM-05/03 ist einzuhalten. Conformity with Wieland document UU-TQM-05/03 (list of prohibited / declarable hazardous substances) to be declared!

Freitoleranz nach General tolerance CAD - Zeichnung, keine manuellen Änderungen CAD - drawing, no manual modifications allowed 1.Verwendung: First Use: Blatt: 1 von 1 Sheet: 1 of 1

/	Maßstab/Scale	Werkstoff/Material Farbe: siehe Tabelle colour: see table	2005	Tag/Date	Name	Zeichnung Nr./Drawing No.	Index
			gezeichnet drawn	15.07.	Hennemann V.		
/	%		geprüft checked	-	-	Maße in mm/Dimensions are in mm	
/	Vol.	mm ³ Offl./Surf.	mm ²	Ersatz für/Replacement for: -			
a	08.12.2005/ Datum / Blatt Date / Sheet	 wieland Elektrische Verbindungen	Type	Benennung/Titel			
Änderung/Revision			BUCHSENT_SNAP_IN socket connector snap in GST1513SB1 R ..				

Weitergabe sowie Vervielfältigung dieses Dokuments, Verwertung und Mitteilung seines Inhalts sind verboten, soweit nicht ausdrücklich gestattet. Die Reproduktion, Distribution und Utilization of this document as well as the communication of its contents to others without express authorization is prohibited.