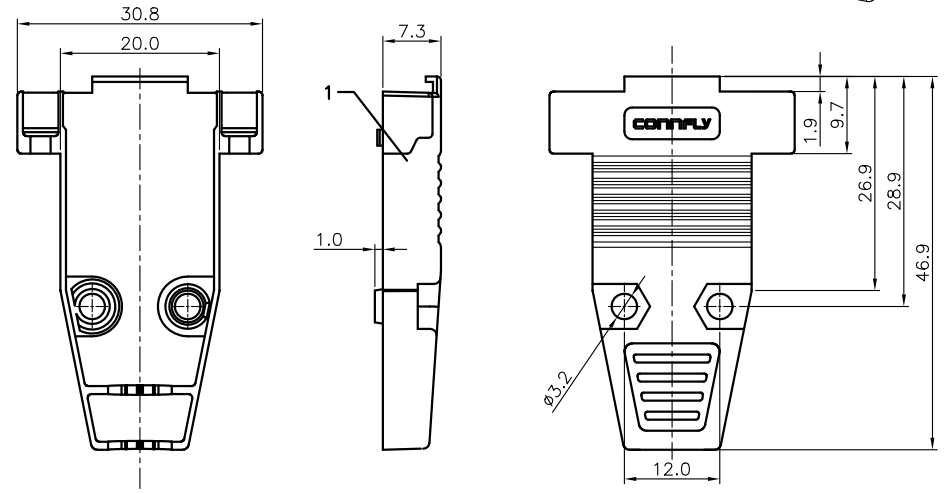
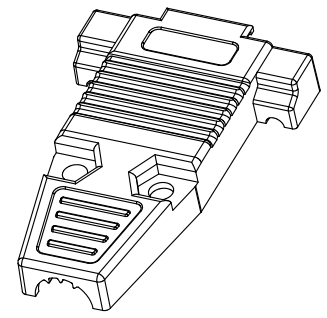


Dept	Qty
DC	1
ED	1
IE	1
ISO	1
PD	1
R&D	1
SD	1
QA	1
QC	1
QE	1

BOM LIST			
ITEM	PART NAME	Q'ty	NOTES
1	METAL HOOD	2	
2	LONG BOLT	2	
3	NUT	2	
4	SCREW-1	2	M3*12
5	WASHER	2	
6	SCREW-2	2	M3*6
7	SHORT BOLT	2	

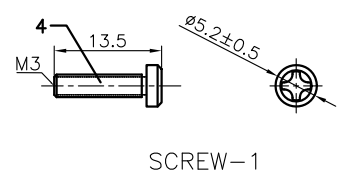
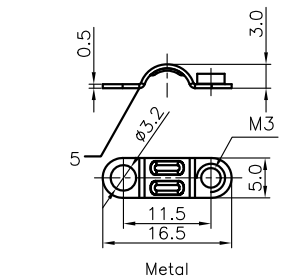
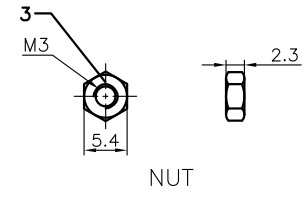
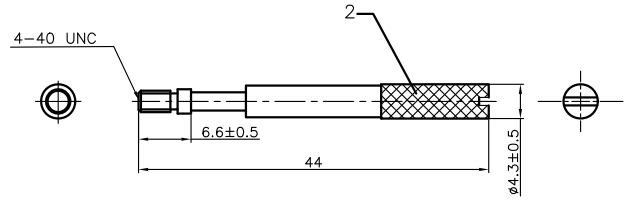
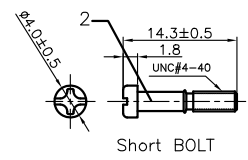
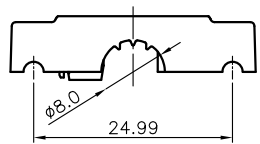
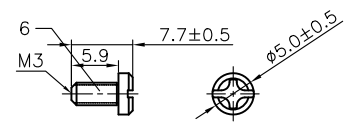
REV.	DESCRIPTION	DRAWN	CHECKED	APPROVED
A	NEW RELEASE	LJC 03/02/07'		LJC 03/02/07'
B	ADD P/N CODE	YCH 12/07/13'		LJC 12/07/13'
C	DRAWING UPDATE	JLZ 11/24/18'		

The information provided herein is from CONNFLY Electronic Co., Ltd. and is confidential. Any disclosure to a party other than the recipient is prohibited. The intellectual properties and its rights contained herein, including but not limited to, trademarks, patents, copyrights, trade secrets, and technical know-how, are owned exclusively by CONNFLY or its affiliates. Unauthorized use or reproduction of any information contained herein without the prior written permission of CONNFLY is strictly prohibited. CONNFLY may enforce its intellectual property rights at its own discretion, failures or delays to exercise such rights does not constitute a waiver of such rights. Its use in any format or manner. CONNFLY may enforce its intellectual property rights at its own discretion, failures or delays to exercise such rights does not constitute a waiver of such rights.



NOTES:
 1. PART NUMBER CODE:
 DS1047 - 09 X X X - X - X

- LOGO Support
 X: W/O LOGO
 N/A Code: CONNFLY LOGO
- Shell Plating
 N: Nickel
 Z: Zinc
- Bolt type
 L: Long
 S: Short
- Packing type
 1: Mix packing
 2: Separation packing
- Cover Material
 M: Metal(Zinc alloy)
- Positions
 09: 9pin



GENERAL TOLERANCE		ANGLE TOLERANCE		PROJECTION		TITLE	
X.	±0.60	X.	±5°		mm	D-SUB 9pin Metal Hood	
.X	±0.38	.X	±3°	SHEET SIZE		SERIES	DS1047 SERIES
.XX	±0.25	.XX	±2°	A4			
DRAWING TYPE		CUSTOMER		晨翔电子有限公司 CONNFLY ELECTRONIC CO. LTD			
SCALE		1:1					
DRAWING NO.		C-DS1047-09XXX-X-X-C					
		SHEET		1 OF 1			

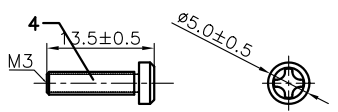
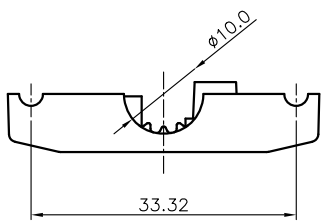
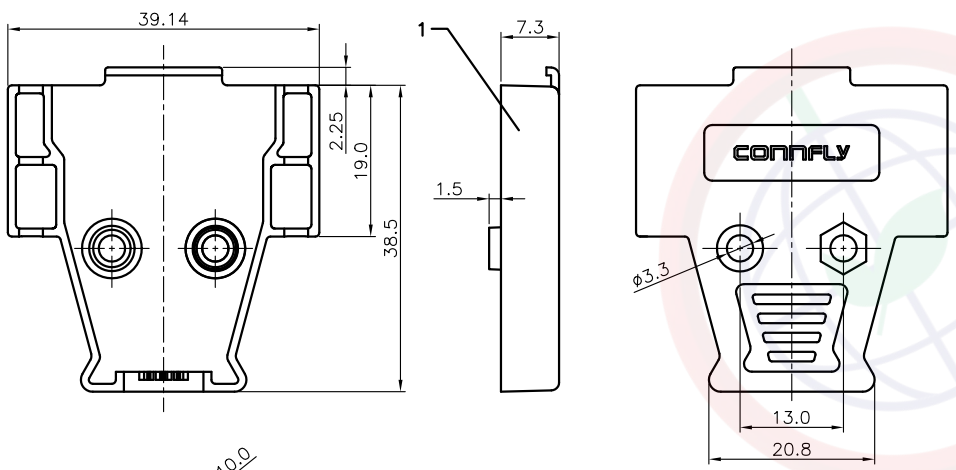
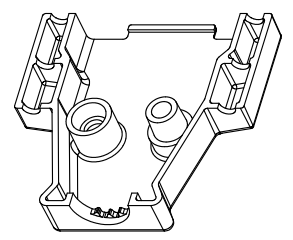
The information provided herein is from CONNFLY Electronic Co., Ltd. and is confidential. Any disclosure to a party other than the recipient is prohibited. The intellectual properties and its rights contained herein, including but not limited to, trademarks, patents, copyrights, trade secrets, and technical know-how, are owned exclusively by CONNFLY or its affiliates. Unauthorized use or reproduction of any part of this document is strictly prohibited. CONNFLY may enforce its intellectual property rights at its own discretion, failures or delays to exercise such rights does not constitute a waiver of such rights.

REV.	DESCRIPTION	DRAWN	CHECKED	APPROVED
A	NEW RELEASE	LJC 03/02/07'		LJC 03/02/07'
B	ADD P/N CODE	YCH 12/07/13'		LJC 12/07/13'
C	DRAWING UPDATE	JLZ 11/24/18'		

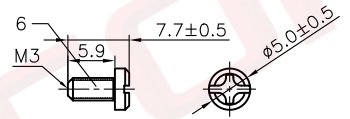
BOM LIST			
ITEM	PART NAME	Q'ty	NOTES
1	METAL HOOD	2	
2	BOLT	2	
3	NUT	2	
4	SCREW-1	2	M3*12
5	WASHER	2	
6	SCREW-2	2	M3*6
7	SR	1	

NOTES:
 1. PART NUMBER CODE:
 DS1047 - 15 X X X - X - X

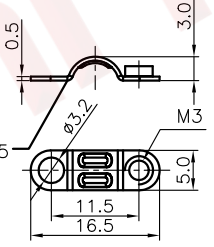
- LOGO Support
- X: W/O LOGO
- N/A: CONNFLY LOGO
- Shell Plating
- N: Nickel
- Z: Zinc
- Bolt type
- L: Long
- Packing type
- 1: Mix packing
- 2: Separation packing
- Cover Material
- M: Metal(Znic alloy)
- Positions
- 15: 15pin



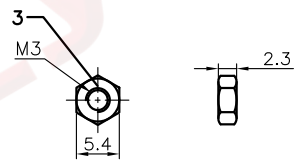
SCREW-1



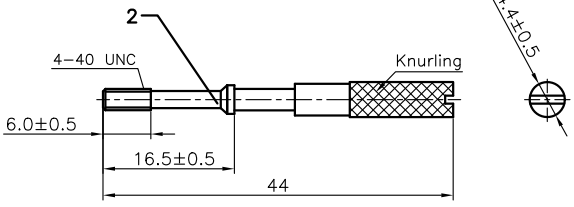
SCREW-2



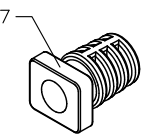
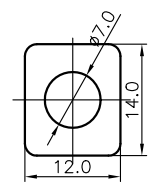
Metal



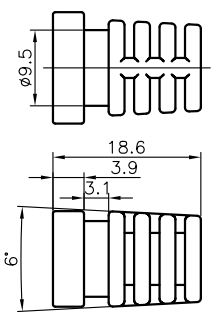
NUT



BOLT



SR



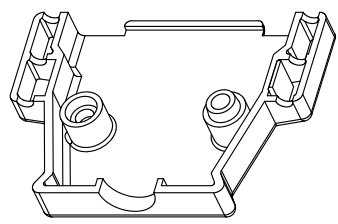
GENERAL TOLERANCE		ANGLE TOLERANCE		PROJECTION	TITLE
X.	± 0.60	X.	$\pm 5^\circ$		D-SUB 15pin Metal Hood
.X	± 0.38	.X	$\pm 3^\circ$	UNITS	mm
.XX	± 0.25	.XX	$\pm 2^\circ$	SHEET SIZE	A4
DRAWING TYPE		CUSTOMER		SERIES	DS1047 SERIES
SCALE		1:1		SHEET 1 OF 1	
DRAWING NO.		C-DS1047-15XXX-X-X-C			

晨翔电子有限公司
 CONNFLY CONNFLY ELECTRONIC CO. LTD

Dept	
Qty	
DC	1
ED	1
IE	1
ISO	1
PD	1
R&D	1
SD	1
QA	1
QC	1
QE	1

The information provided herein is from CONNFLY Electronic Co., Ltd. and is confidential. Any disclosure to a party other than the recipient is prohibited. The intellectual properties and its rights contained herein, including but not limited to, trademarks, patents, copyrights, trade secrets, and technical know-how, are owned exclusively by CONNFLY or its affiliates. Unauthorized use or reproduction of any part of this document, in any form or by any means, without the prior written permission of CONNFLY is strictly prohibited. CONNFLY may enforce its intellectual property rights at its own discretion, failures or delays to exercise such rights does not constitute a waiver of such rights.

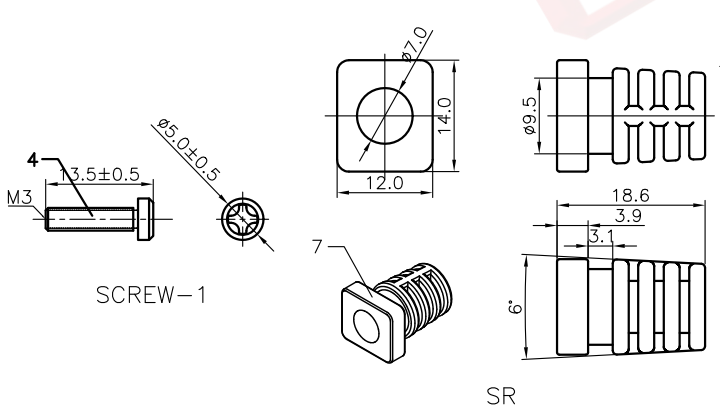
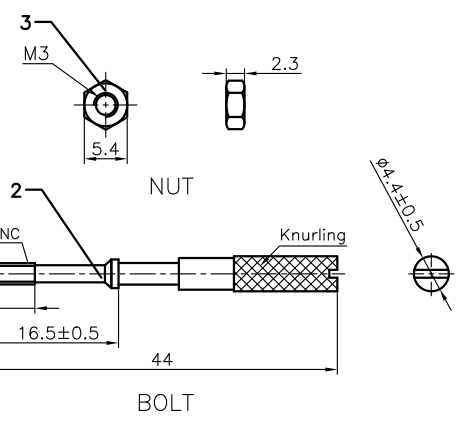
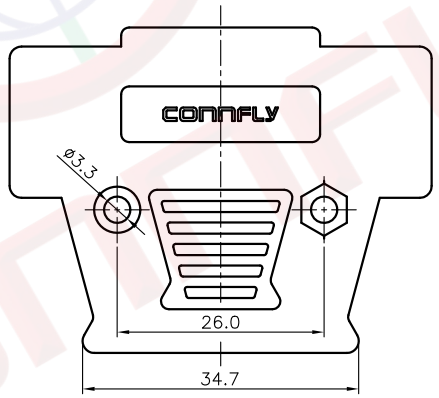
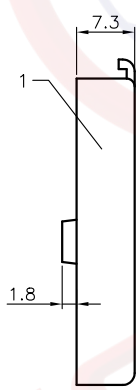
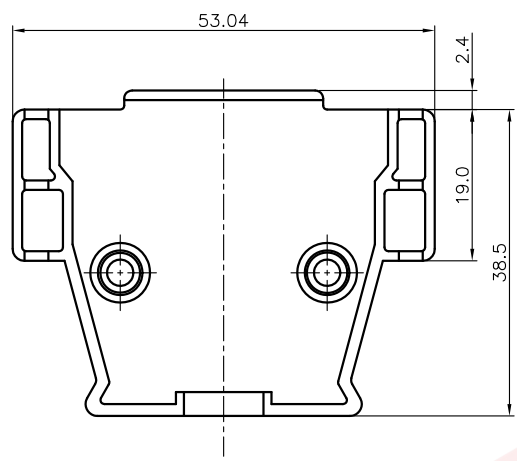
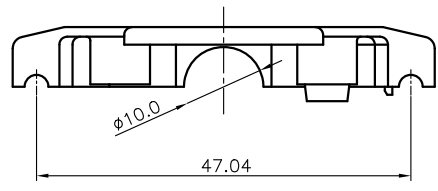
REV.	DESCRIPTION	DRAWN	CHECKED	APPROVED
A	NEW RELEASE	LJC 03/02/07'		LJC 03/02/07'
B	ADD P/N CODE	YCH 12/07/13'		LJC 12/07/13'
C	DRAWING UPDATE	JLZ 11/24/18'		



BOM LIST			
ITEM	PART NAME	Q'ty	NOTES
1	METAL HOOD	2	
2	BOLT	2	
3	NUT	2	
4	SCREW-1	2	M3*12
5	WASHER	2	
6	SCREW-2	2	M3*6
7	SR	1	

NOTES:
 1. PART NUMBER CODE:
 DS1047 - 25 X X X - X - X

- LOGO Support
- X: W/O LOGO
- N/A Code: CONNFLY LOGO
- Shell Plating
- N: Nickel
- Z: Zinc
- Bolt type
- L: Long
- Packing type
- 1: Mix packing
- 2: Separation packing
- Cover Material
- M: Metal(Znic alloy)
- Positions
- 25: 25pin



GENERAL TOLERANCE		ANGLE TOLERANCE		PROJECTION		TITLE	
X.	±0.60	X.	±5°			D-SUB 25pin Metal Hood	
.X	±0.38	.X	±3°	UNITS		mm	
.XX	±0.25	.XX	±2°	SHEET SIZE		A4	
DRAWING TYPE		CUSTOMER		SERIES		DS1047 SERIES	
SCALE		1:1		SHEET		1 OF 1	
DRAWING NO.		C-DS1047-25XXX-X-X-C					

晨翔电子有限公司
 CONNFLY CONNFLY ELECTRONIC CO. LTD

The information provided herein is from CONNFLY Electronic Co., Ltd. and is confidential. Any disclosure to a party other than the recipient is prohibited. The intellectual properties and its rights contained herein, including but not limited to, trademarks, patents, copyrights, trade secrets, and technical know-how, are owned exclusively by CONNFLY or its affiliates. Unauthorized use or reproduction of any part of this document without the prior written permission of CONNFLY is strictly prohibited. CONNFLY may enforce its intellectual property rights at its own discretion, failures or delays to exercise such rights does not constitute a waiver of such rights.

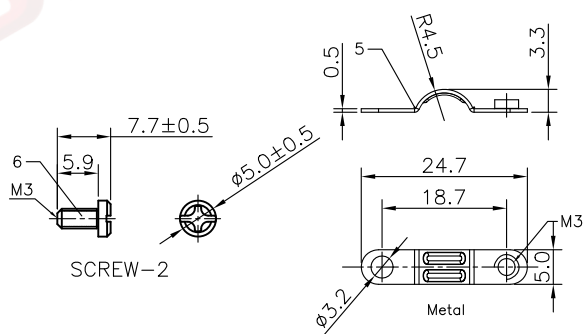
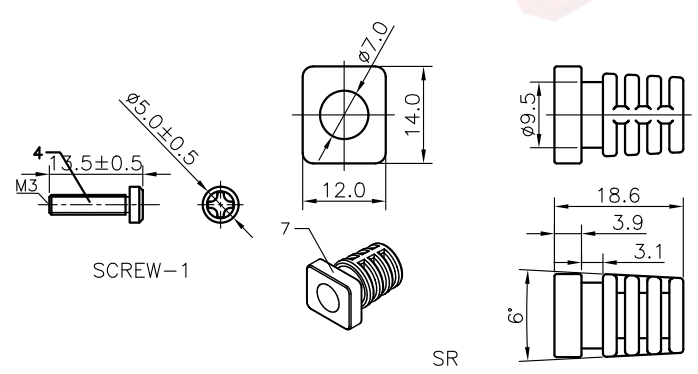
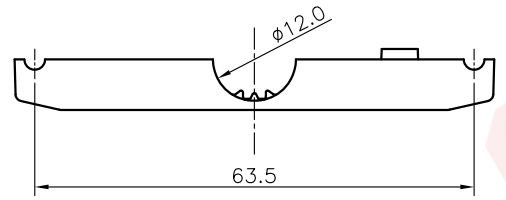
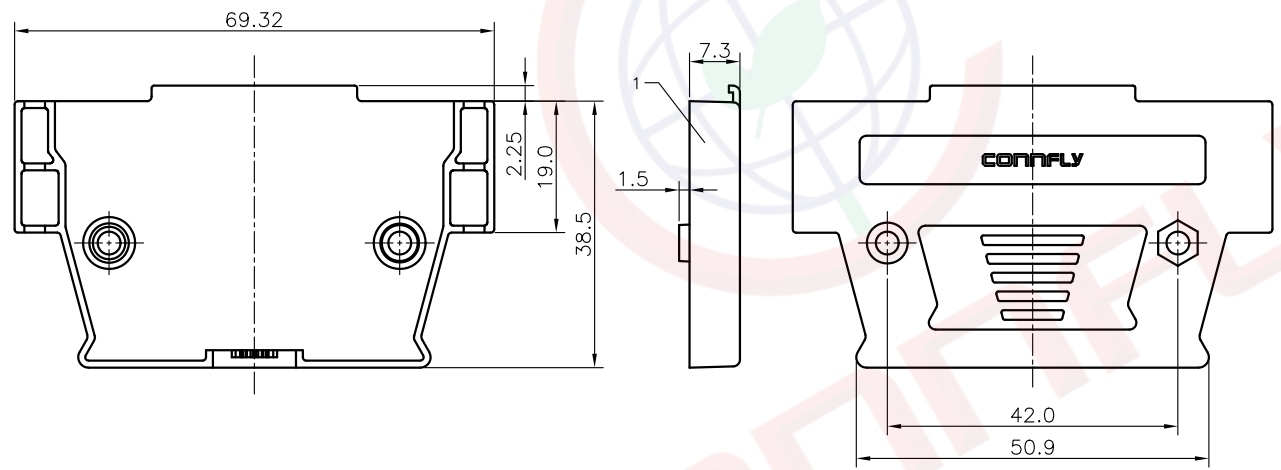
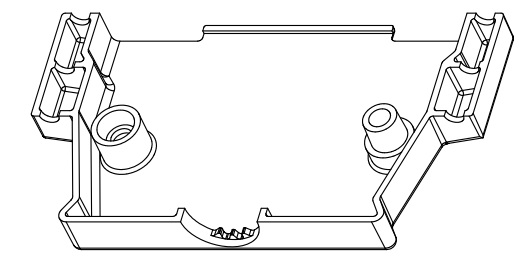
REV.	DESCRIPTION	DRAWN	CHECKED	APPROVED
A	NEW RELEASE	LJC 03/02/07'		LJC 03/02/07'
B	ADD P/N CODE	YCH 12/07/13'		LJC 12/07/13'
C	DRAWING UPDATE	JLZ 11/24/18'		

BOM LIST			
ITEM	PART NAME	Q'ty	NOTES
1	METAL HOOD	2	
2	BOLT	2	
3	NUT	2	
4	SCREW-1	2	M3*12
5	WASHER	2	
6	SCREW-2	2	M3*6
7	SR	1	

NOTES:

1. PART NUMBER CODE:
 DS1047 - 37 X X X - X - X

- LOGO Support
- X: W/O LOGO
- N/A Code: CONNFLY LOGO
- Shell Plating
- N: Nickel
- Z: Zinc
- Bolt type
- L: Long
- Packing type
- 1: Mix packing
- 2: Separation packing
- Cover Material
- M: Metal(Znic alloy)
- Positions
- 37: 37pin



GENERAL TOLERANCE		ANGLE TOLERANCE	
X.	±0.60	X.	±5°
.X	±0.38	.X	±3°
.XX	±0.25	.XX	±2°

DRAWING TYPE	CUSTOMER		
SCALE	1:1	SHEET	1 OF 1
DRAWING NO.	C-DS1047-37XXX-X-X-C		

PROJECTION	TITLE
	D-SUB 37pin Metal Hood
UNITS	mm
SHEET SIZE	A4
SERIES	DS1047 SERIES

晨翔电子有限公司
 CONNFLY CONNFLY ELECTRONIC CO. LTD