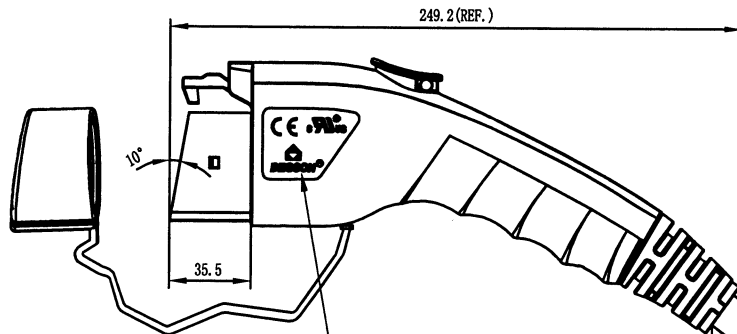
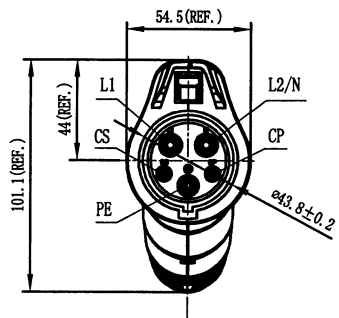
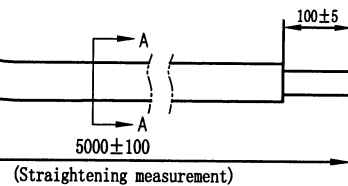


REVISION RECORD				
REV	ECN	DESCRIPTION	DRFT	DATE
00-2		Drawings to upgrade	LLL	2020.09.07

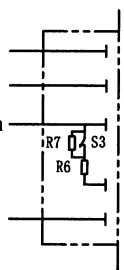


Cable: UL62 EV 3\*8AWG+1\*18AWG Black



Wiring diagram

- L1 8AWG Brown
- N 8AWG Blue
- PE 8AWG Yellow/Green
- CS
- CP 18AWG Red



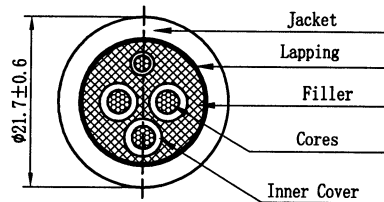
R6=150Ω ±3%  
R7=330Ω ±3%

Laser Printing Front Note:



Laser Printing Back Note (Arial):

MAAC-S-040A-V-03-5.0M-10AH  
40A 240V AC  
SAE J1772:2017  
Type 3S  
20xxxxxx-xxxx



SEC A-A

NOTES:

1. Cable: UL62 EV 3\*12AWG+1\*18AWG Black
2. RoHS Compliance

Technical parameters

Rated voltage	240V AC
Rated current	40A
Temperature range	-30°C~+50°C
Insulate resistance	>5MΩ, 500V DC 1Min
Withstanding voltage	L, N and PE, 2500V AC 1Min
	L and N, 2500V AC 1Min
Ingress protection	Type 3S
The insertion/pullout times	10000 TIMES
Insertion/pullout force	<75N
Reference standard	SAEJ1772:2017

00-2

00-2

00-2

Customer Drawing

Size Measure Range	.XX	.X
≤6	±0.05	±0.10
6~30	±0.10	±0.20
30~120	±0.15	±0.30
120~400	±0.20	±0.50
400~1000	±0.30	±0.80
1000~2000	±0.50	±1.20
Angle Measure Range	.XX	.X
	±0.5°	±1.0°

DETACHED LISTS

PART NO. : /
APPD: ZX 20200907
CHKD: DT 2020.9.7
DRFT: XF LUO 2019-06-13
THIRD ANGLE PROJECTION

宁波高松电子有限公司 NINGBO DEGSON ELECTRICAL CO., LTD	
NAME: Vehicle Connector (40A AC single phase) MAAC-S-040A-V-03-5.0M-10A (H)	
TITLE: Customer Drawing	REV: DO-2
DRAWING NO. : /	SHEET: 1/1
MM (INCH)	DO NOT SCALE DRAWING
SCALE: 1:3	