

## Data sheet

Commercial Art.No.: 96.031.0053.0

Connector RST20i3F B2 ZR1 GL

RST20i3 connector, 3 pole, female, spring clamp connection, application 250V with PE, 20A, for cable diameters 6-10mm, coding color light grey, color of housing light grey



Commercial Art.No.	96.031.0053.0
EAN	4015573742734
Order Unit	1

Certificates / Approvals



LR

RINA



## Technical data

### General

Rated current	20 A
Rated voltage	250 V
Rated impulse voltage	4 kV
strain relief	yes
Pollution degree	3
Lockable	self-locking (unlocking by tool)
Color of coding/ contact carrier	light grey
Marking of poles	L, N, PE
Color of housing inclusive strain relief	light grey

### Connection Data

Cable diameter max.	10 mm
Cable diameter min.	6 mm
Connection cross section solid mm <sup>2</sup> max.	2.5 mm <sup>2</sup>
Connection cross section solid mm <sup>2</sup> min.	0.5 mm <sup>2</sup>
Connection cross section solid AWG min.	20 AWG
Connection cross section solid AWG max.	14 AWG
Connection cross section fine stranded mm <sup>2</sup> max.	1.5 mm <sup>2</sup>
Connection cross section fine stranded mm <sup>2</sup> min.	0.5 mm <sup>2</sup>
Terminations per pole	2
Connection cross section stranded mm <sup>2</sup> min.	0.75 mm <sup>2</sup>
Connection cross section stranded mm <sup>2</sup> max.	1.5 mm <sup>2</sup>
Connection cross section stranded AWG min.	20 AWG
Connection cross section stranded AWG max.	16 AWG
sheath strip length	35 mm

Wire strip length	14.5 mm
-------------------	---------

#### Model

Model	female
Connection type	spring clamp connection
Degree of protection (IP)	IP66/68 (3m;2h) /IP69

#### Material

Housing material	Polyamide
halogen free	yes
Contact material	CuZn
Fire load	0.292 kWh
Insulation components continuous temperature	100 °C
Surface finish	Silver-plated

#### Dimensions

Length	82 mm
Width	34.6 mm
Height	34.6 mm

#### Note

Note	Fine stranded and stranded conductors require cable end sleeve
------	--

#### Classification

ECLASS 11	
ECLASS 8.1	27440605
ETIM 7.0	EC002560
ETIM 6.0	EC002560
ETIM 5.0	EC002560
ETIM 4.0	EC002560

#### Product compliance

ROHS conformity status	Compliant/Exempted
ROHS exceptions	III-6(c)
REACH-SVHC conformity status	Duty-To-Declare
REACH-SVHC substances	Lead
REACH-SVHC CAS numbers	7439-92-1

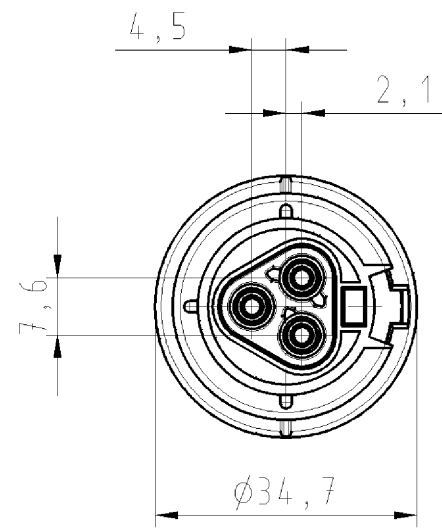
#### Accessories

Commercial Art.No.:	Article-type description:	Description:
06.502.4300.0	screwdriver DIN 5264 A 0,4 X 2,5	Screw driver according to DIN 5264 A, blade: 0.4x2.5 mm, long and straight version
95.101.1300.0	ferrule crimping tool 0,08 - 10 mm <sup>2</sup>	Crimping tool for ferrules, wire strip length: 7-28 mm, nominal cross section: 0,08-10 mm <sup>2</sup> , length of tool: 180 mm
06.600.3627.0	ferrules DIN 46228-E1-12	RST end sleeve, for spring clamp contact, with insulating sleeve, for cross section 1.0 mm <sup>2</sup> /AWG17

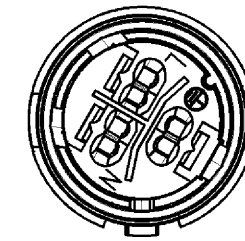
06.600.3727.0	ferrules DIN 46228-E0,75-12	RST end sleeve, for spring clamp contact, with insulating sleeve, for cross section 0.75-1.0 mm <sup>2</sup> /AWG17
06.600.3827.0	ferrules DIN 46228-E0,5-10	RST end sleeve, for spring clamp contact, with insulating sleeve, for cross section 0.5 mm <sup>2</sup> /AWG20
06.600.3927.0	ferrules DIN 46228-E1,5-12	RST end sleeve, for spring clamp contact, with insulating sleeve, for cross section 1.5 mm <sup>2</sup> /AWG16
99.413.6205.2	Cover for female connector GL	RST20i3/2 cover piece, for covering unused female connectors, with fastening belt, color light grey
Z5.564.4553.0	Cover for female connector GL	RST20i3/2 cover piece, for covering unused female connectors, color light grey

### Fits with

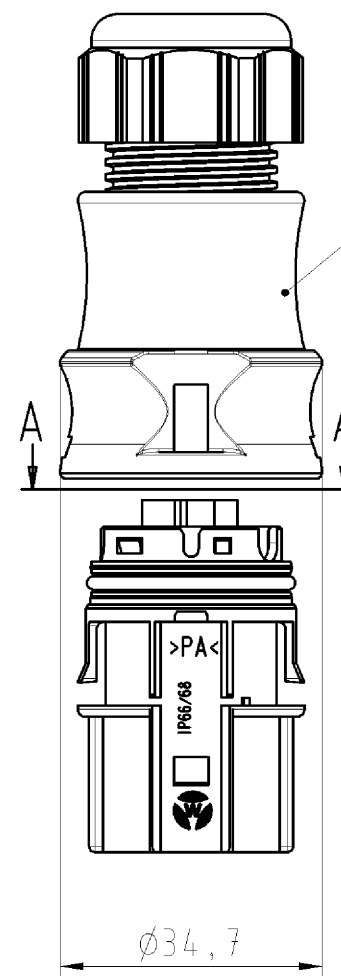
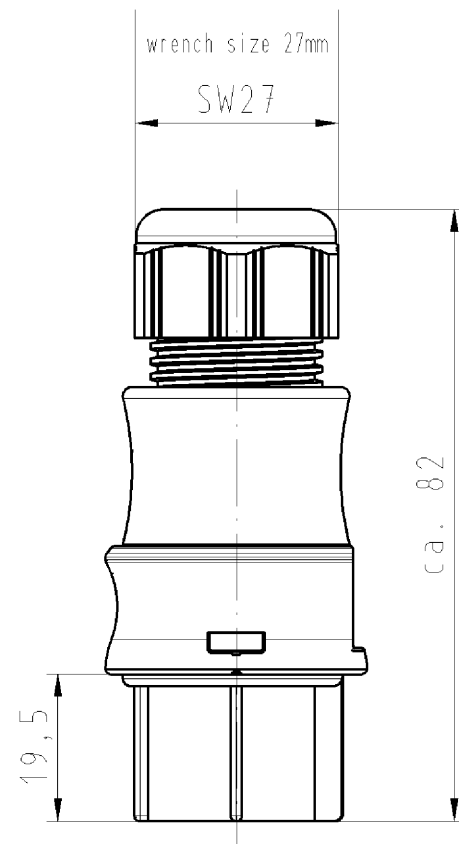
Commercial Art.No.:	Article-type description:	Description:
96.030.0153.0	Distributor RST20i3V 3P1 F V GL	RST20i3 distribution block, 3 pole, application 250V with PE, 20A, 1 input and 3 outputs, with fastening option, coding color light grey, color of housing light grey
96.233.1030.0	Cable assembly RST20i3K1BS 25 10GL	RST20i3 extension cable female - male, 3 pole, assembled with shrinkage tube, application 250V with PE, 20A, cable type H07RN-F, length 1.0m, cross section 2.5mm <sup>2</sup> , coding color light grey
96.032.0053.0	Connector RST20i3F S2 ZR1 V GR	RST20i3 connector, 3 pole, male, spring clamp connection, application 250V with PE, 20A, for cable diameters 6-10mm, coding color light grey, color of housing light grey
96.032.1053.0	Device connector RST20i3F S2 M01V GL	RST20i3 device connector M25, 3 pole, male, spring clamp connection, application 250V with PE, 20A, coding color light grey
96.032.2153.0	Device connector RST20i3F S2 M03V GL	RST20i3 device connector M16, 3 pole, male, spring clamp connection, modular, application 250V with PE, 20A, coding color light grey, color of housing light grey
96.032.2053.0	Device connector RST20i3F S2 M00V GL	RST20i3 device connector M20, 3 pole, male, spring clamp connection, modular, application 250V with PE, 20A, coding color light grey, color of housing light grey
96.034.2053.0	Device connector RST20i3F S2 M90V GL	RST20i3 device connector (90° angled) M20, 3 pole, male, spring clamp connection, modular, application 250V with PE, 20A, coding color light grey, color of housing light grey
96.036.2153.0	Device connector RST20i3F S2 M13V GL	RST20i3 device connector (7° angled) M16, 3 pole, male, spring clamp connection, modular, application 250V with PE, 20A, coding color light grey, color of housing light grey
96.034.0053.0	Connector RST20i3F S2 YR1 V GL	RST20i3 connector (90° angled), 3 pole, male, spring clamp connection, application 250V with PE, 20A, for cable diameters 6-10mm, coding color light grey, color of housing light grey



view A-A  
Ansicht A-A

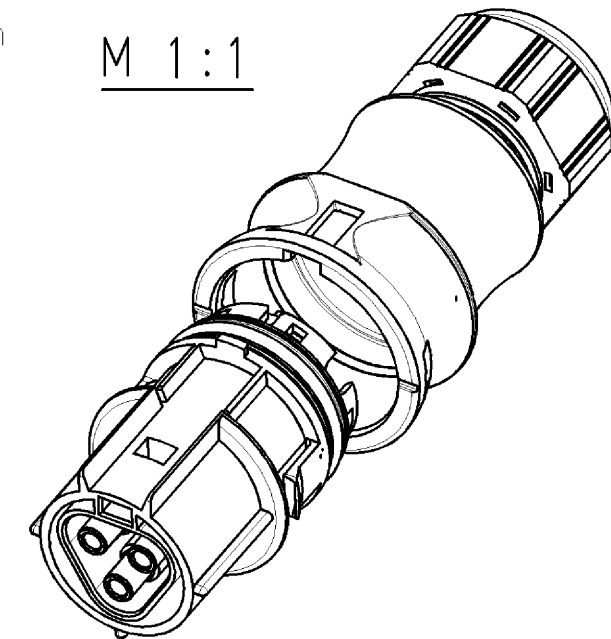


- Diese Maße werden bei Abnahme besonders geprüft
- Ausschließlich Prüfmaße
- MTL/Æ gekennzeichnete Maße sind nur für interne Zwecke gültig



for cable diameter 6-10mm  
für Kabeldurchmesser 6-10mm

M 1:1



Verpackungseinheit: je 100 Stk.  
packaging unit: per 100

Teile-Nr./ part-nr.	Farbe:/ color:	Einz.-Tl.-Nr.: *)/ single-part-nr.:*)	Freitoleranz nach 16901 Toleranzgruppe 130			CAD - Zeichnung, keine manuellen Änderungen			1. Verwendung: -		Bl.: 1 von 1	
			Maßstab	Werkstoff und Oberfläche: material and surface:	2003	Tag	Name	Zeichnung Nr.		Index		
96.031.0053.1	schwarz, ähnl. RAL 9005/ black, similar to RAL 9005	....._1	1:1	Farbe: siehe Tabelle color: look table	Entworfen	21.10.	Kneitz	T	96.031.0053.0 01K		a	
96.031.0053.0	lichtgrau, ähnl. RAL 7035/ lightgrey, similar to RAL 7035	....._0	Vol.	mm <sup>3</sup>	Off.	mm <sup>2</sup>	Normgepr.	-	Ersatz für: -			
			a	29.04.2005/ Buchstabe Datum / Blatt	 <b>wieland</b> Elektrische Verbindungen		Benennung <b>BUCHSENTEIL MIT ZUGENTLASTUNG</b> female connector with cord grip RST2013F B2 ZR1 V					
			Änderung									

Weitergabe sowie Vervielfältigung dieses Dokuments, Verwertung und Mitteilung  
 seines Inhalts sind verboten, soweit nicht ausdrücklich gestattet.  
 The reproduction, distribution and utilization of this document as well as the  
 communication of its contents to others without express authorization is prohibited.