

Data sheet

Commercial Art.No.: 92.944.3353.0

Connector GST18i4S S1 ZR1 TB03

GST18i4 connector, 4 pole, male with screw connection, coding according to customer requirement without PE, 20 A, coding color turquoise blue, strain relief color black



Commercial Art.No.	92.944.3353.0
EAN	4049088244834
Order Unit	1

Certificates / Approvals



Technical data

General

Rated current	20 A
Rated voltage	250 V / 400 V
Rated impulse voltage	4 kV
strain relief	yes
Pollution degree	2
Mechanical coding	Code 3
Lockable	self-locking (unlocking by tool)
Color of coding/ contact carrier	turquoise blue
Marking of poles	1, 2/N, 3, 4
Color of housing inclusive strain relief	black

Connection Data

Cable diameter max.	11.5 mm
Cable diameter min.	6.8 mm
Connection cross section solid mm ² max.	2.5 mm ²
Connection cross section solid mm ² min.	0.75 mm ²
Connection cross section fine stranded mm ² max.	2.5 mm ²
Connection cross section fine stranded mm ² min.	0.75 mm ²
Terminations per pole	1
sheath strip length	31 mm
Wire strip length	7 mm

Model

Model	male
Connection type	screw connection

Degree of protection (IP)	IP20
---------------------------	------

Material

Housing material	Polyamide
halogen free	yes
Contact material	CuZn
Fire load	0.123 kWh
Insulation components continuous temperature	100 °C
Surface finish	Tin-plated

Dimensions

Length	69.4 mm
Width	38 mm
Height	15 mm

Classification

ECLASS 11	
ECLASS 8.1	27440605
ETIM 7.0	EC002560
ETIM 6.0	EC002560
ETIM 5.0	EC002560
ETIM 4.0	EC002560

Product compliance

ROHS conformity status	Compliant/Exempted
ROHS exceptions	III-6(c)
REACH-SVHC conformity status	Duty-To-Declare
REACH-SVHC substances	Lead
REACH-SVHC CAS numbers	7439-92-1

Accessories

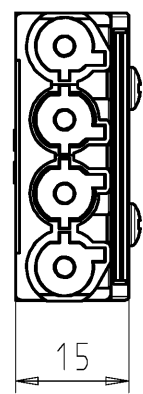
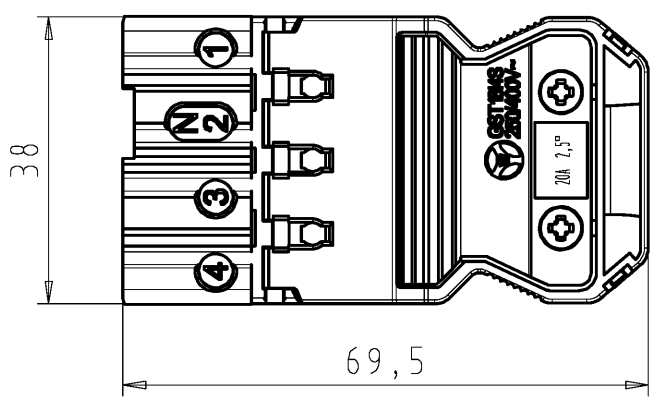
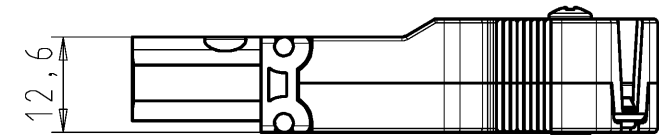
Commercial Art.No.:	Article-type description:	Description:
05.587.3156.0	Lock (G)ST18 WS	Locking device for cable to cable connection GST18i3-5, white
05.564.5353.0	cover cap GST18i3/4/5 SW	Cover piece 12 pole black for female parts GST18i3-6
05.564.5353.2	cover cap GST18i3/4/5 WS	Cover piece 12 pole white for female parts GST18i3-6
05.566.9153.0	cover cap GST18i4 BUCHSEN	Cover for female connectors GST18i4, black
05.587.3156.1	Lock (G)ST18 SW	Locking device for cable to cable connection GST18i3-5, black

Fits with

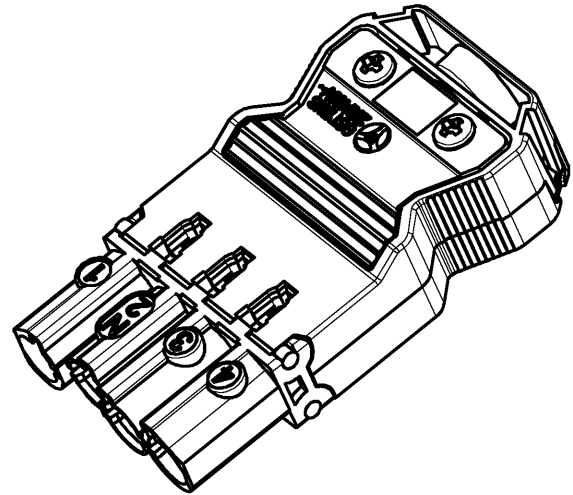
Commercial Art.No.:	Article-type description:	Description:
92.043.0058.0	Device connector GST18i4L B1H WS	GST18i4 PCB mount with additional mounting option, 4 pole, female (horizontal), coding mains 250 V / 400 V, 20 A, coding color white
92.043.0158.0	Device connector GST18i4L B1H GR01	GST18i4 PCB mount with additional mounting option, 4 pole, female (horizontal), coding UPS 250 V / 400 V, 20 A, coding color pebble grey
92.207.1003.0	Cable assembly GST18i4KSB- 15 10TR01	gegis® Connection cable female - free end; length: 1 m; type GST18i4; 4- pole; Code 2; 250/400 V / 16 A; colour of coding: tomato red with blacks train relief; cable: H05VV-F 4G1,5 black, fire class Eca

92.943.3353.0	Connector GST18i4S B1 ZR1 TB03	GST18i4 connector, 4 pole, female with screw connection, coding according to customer requirement without PE, 20 A, coding color turquoise blue, strain relief color black
---------------	--------------------------------	--

These dimensions will be especially checked at delivery
 Only inspection dimensions
 With /E marked dimensions are only valid for internal use



Diese Maße werden bei Abnahme besonders geprüft
 Ausschließlich Prüfmaße
 Mit /E gekennzeichnete Maße sind nur für interne Zwecke gültig



Type: GST1814S B1 ZR1 TB Kabel- ϕ : 6,5-12,0

Tolerierung Size ISO 14405(E)/Tolerance system Size ISO 14405(E).
 {This ISO-standard describes the envelope principle. According to the envelope principle the deviations of form and parallelism are limited by the size tolerances}.
 ja/yes Stoffverbots- und Deklarationsliste nach WN 5020.010 ist einzuhalten.
 Conformity with Wieland document WN 5020.010 e (list of prohibited / declarable hazardous substances) to be declared!

Freitoleranz nach DIN ISO 2768 - m CAD - Zeichnung, keine manuellen Änderungen
 General tolerance CAD - drawing, no manual modifications allowed 1.Verwendung: - Blatt: 1 von 1
 First Use: Sheet: of

	/		Werkstoff/Material	2014	Tag/Date	Name	Zeichnung Nr./Drawing No.	Index	
	/		Farbe/colour	gezeichnet drawn	17.12.	Schmitt J.			
	/		Maßstab/Scale 2:1	Türkis / turquoise	geprüft checked	-			-
	/				Normgepr. Stand. check	-			-

Maße in mm/Dimensions are in mm

	/	Vol.	mm ³	Of1./Surf.	mm ²	Ersatz für/Replacement for: -
	/					Type
	/					Benennung/Title
Index	Datum / Blatt Date / Sheet	male connector with strain-relief STECKERT_M_ZUGENTL				
Änderung/Revision		Schraubanschluss/ screw connection 250/400V AC, 20A, 2,5qmm				



Weitergabe sowie Vervielfältigung dieses Dokuments, Verwertung und Mitteilung seines Inhalts sind verboten, soweit nicht ausdrücklich gestattet.
 The reproduction, distribution and utilization of this document as well as the communication of its contents to others without express authorization is prohibited.