

## Data sheet

Commercial Art.No.: 96.233.3003.0

Cable assembly RST20i3K1B- 25P 30GL

RST20i3 connection cable female - free end, 3 pole, assembled with shrinkage tube, application 250V with PE, 20A, cable type H05VV-F, length 3.0m, cross section 2.5mm<sup>2</sup>, coding color light grey



Commercial Art.No.	96.233.3003.0
EAN	4015573760318
Order Unit	1

Certificates / Approvals



## Technical data

### General

Rated current	20 A
Rated voltage	250 V
Rated impulse voltage	4 kV
Pollution degree	3
Lockable	self-locking (unlocking by tool)
Color of coding/ contact carrier	light grey
Color of coding 2/ contact carrier 2	light grey
Marking of poles	L, N, PE
Color of housing inclusive strain relief	light grey

### Model

type of construction	Shrinkage tube
Connection type	Crimp
Nominal cross section conductor	2.5 mm <sup>2</sup>
Degree of protection (IP)	IP66/68 (3m;2h)
Wire strip length	9 mm
sheath strip length	35 mm
Preparation of conductor ends	ultrasonically compressed wire ends
Cable type	H05VV-F
Cable color	black
Cable diameter min.	9.7 mm
Cable diameter max.	10.1 mm
Version of cable	female - free end

Type of cord set	connection cable
Version cable end 1	female
Version cable end 2	free end
Shielded	No

**Material**

Surface finish	Silver-plated
halogen free	No
Continuous temperature of cable	70 °C
Insulation components continuous temperature	100 °C
Fire load	1.8 kWh
Fire class	Eca

**Dimensions**

Total length	3 m
--------------	-----

**Classification**

ECLASS 11	
ECLASS 8.1	27440604
ETIM 7.0	EC002587
ETIM 6.0	EC002587
ETIM 5.0	EC002587
ETIM 4.0	EC002587

**Note**

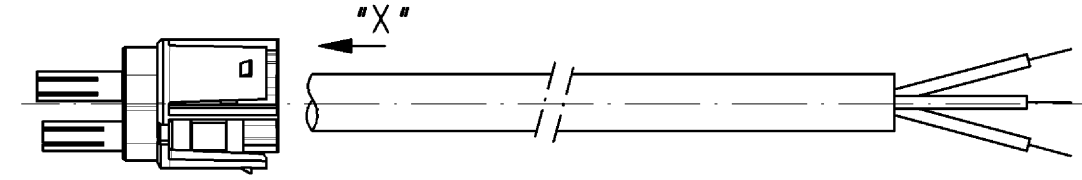
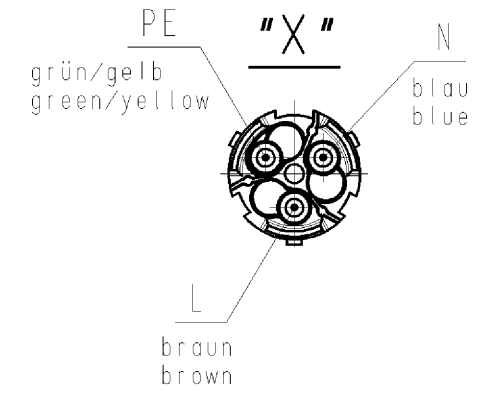
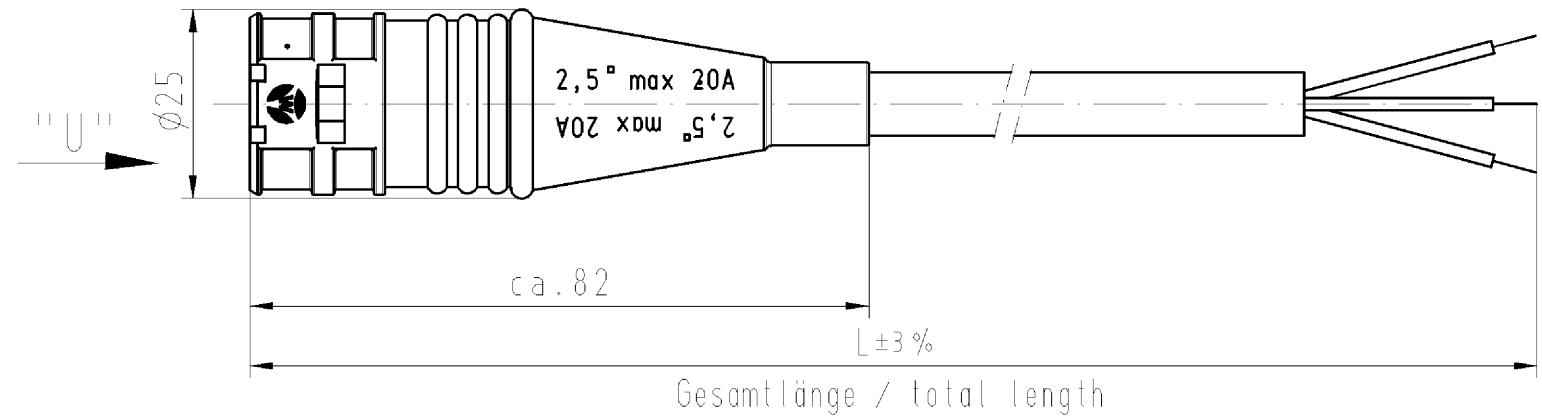
Note	The total length may vary up to + / - 3 %.
------	--

**Product compliance**

ROHS conformity status	Compliant/Exempted
ROHS exceptions	III-6(c)
REACH-SVHC conformity status	Duty-To-Declare
REACH-SVHC substances	Lead
REACH-SVHC CAS numbers	7439-92-1

These dimensions will be especially checked at delivery  
Only inspection dimensions  
With /E marked dimensions are only valid for internal use

Diese Maße werden bei Abnahme besonders geprüft  
Ausschließlich Prüfmaße  
Mit /E gekennzeichnete Maße sind nur für interne Zwecke gültig



.F	Farbe colour	Codierung "U"
.0	lichtgrau light grey	N 
.1	schwarz black	

Weitere Daten siehe Katalog  
further data see catalog

Typ/type: RST2013K1B- 25P .. GL = lichtgrau/light grey  
SW = schwarz/black

Teile - Nr. part - no.	L	Beispiel (Farbe: schwarz) exampel (colour: black)	Typ type
96.233.XX03.F	XX in dm-Schritten	96.233.1003.1 = 10dm/L= 1000mm	RST2013K1B- 25P 10SW
U6.233.XX03.F	XX in m-Schritten	U6.233.1203.1 = 12 m/L=12000mm	RST2013K1B- 25P X12SW

Tolerierung nach DIN 7167/Tolerance system acc. to DIN 7167. (This DIN-standard describes the envelope principle. According to the envelope principle the deviations of form and parallelism are limited by the size tolerances).		ja/yes <input checked="" type="checkbox"/> Stoffverbots- und Deklarationsliste nach UU-TQM-05/03 ist einzuhalten. Conformity with Wieland document UU-TQM-05/03 (list of prohibited / declarable hazardous substances) to be declared!	
Freitoleranz nach General tolerance		CAD - Zeichnung, keine manuellen Änderungen CAD - drawing, no manual modifications allowed	
1. Verwendung: First Use: -		Blatt: 1 von 1 Sheet: of 1	
Werkstoff/Material		Zeichnung Nr./Drawing No.	
2006 Tag/Date		Name	
gezeichnet drawn		28.03. Schmitt J.	
geprüft checked		-	
Nahgepr. Stand. check		-	
Maßstab/Scale		T 96.233.0403.0 01K	
%		Index	
Maße in mm/Dimensions are in mm			
Vol. mm <sup>3</sup> Ofl./Surf. mm <sup>2</sup>		Ersatz für/Replacement for: -	
wieland		Type	
Elektrische Verbindungen		Benennung/Title	
Index Datum / Blatt Date / Sheet		KONFEKT_LEITUNG	
Änderung/Revision		Buchse-freies Ende / female-free end pre-assembled cable	

962330403001K\_4\_CADW1042\_Schmitt 2006-03-30T14:16:24 1.000

Weitergabe sowie Vervielfältigung dieses Dokuments, auch auszugsweise, ist ohne schriftliche Genehmigung der Wieland-Werke AG. Die Reproduktion, Verbreitung und Nutzung dieses Dokuments ist ohne schriftliche Genehmigung der Wieland-Werke AG. The reproduction, distribution and utilization of this document as well as the communication of its contents to others without express authorization is prohibited.