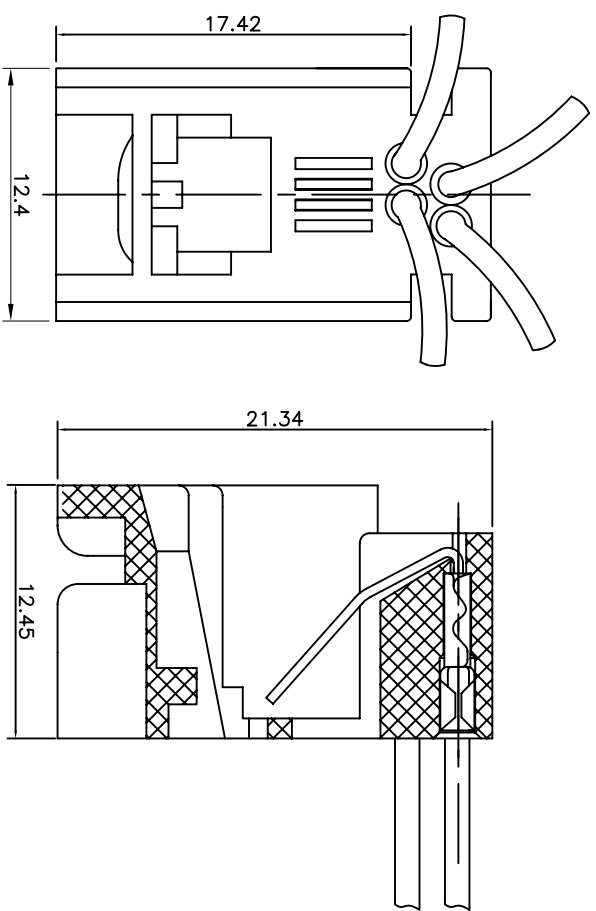
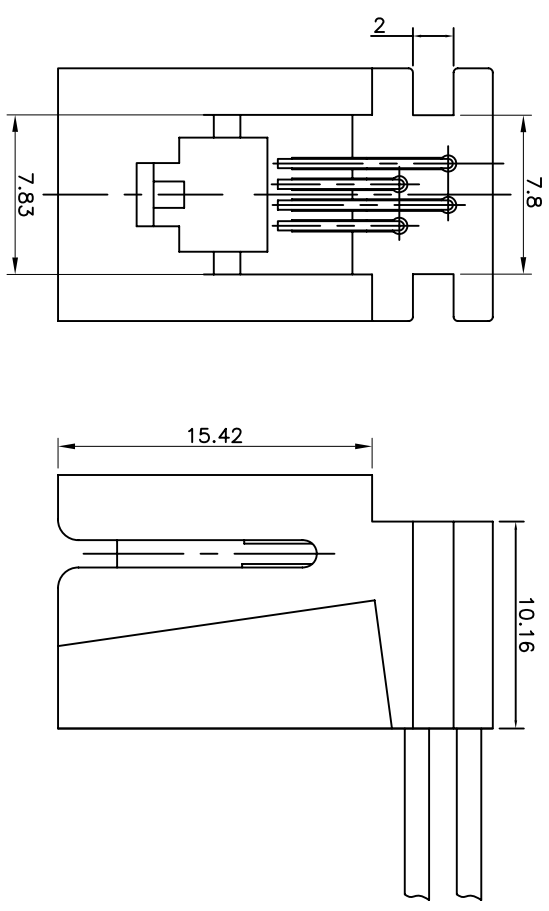


1 2 3 4

REV.	ECN NO.	DATE



C  
RoHS Compliant

C

SPECIFICATION NOTES:

ELECTRICAL:

1. VOLTAGE RATING: 125 VAC RMS
2. CURRENT RATING: 1.5 AMP
3. CONTACT RESISTANCE: 30mΩ MAX.
4. INSULATION RESISTANCE: 1000MΩ MIN. AT 500V DC.
5. DIELECTRIC STRENGTH: 1000 V AC OR 1500V DC RMS AT 0.5mA 50 Hz / 60 Hz FOR 1 MINUTE

MECHANICAL:

1. HOUSING&INSERT&MATERIAL: ABS
  2. CONTACT MATERIAL:PHOSPHOR BRONZE  $\phi=0.46\text{MM}$
  3. PLATING:GOLD PLATING AT CONTACT AREA, NICKEL 30U MIN. OVER ALL.
  4. OPERATING LIFE:750 CYCLES MIN.
  5. MATING/UNMATING FORCE: 30N/3.06KGf MAX.
  6. RETENTION STRENGTH:50N MIN.FOR 60S±5S
- ENVIRONMENTAL:
1. STORAGE:0°C TO +70°C RELATIVE HUMIDITY<80%
  2. GUARANTEE PERIOD:6 MONTHS
  3. OPERATION: 0°C TO +70°C

	<b>A4</b> THIRD ANGLE PROJECTION	SCALE	UNIT	CUSTOMER:	TOLERANCES 0~15 ±0.15 15~30 ±0.20 30~50 ±0.25 50~ ±0.30 ANGLES: ±1°	MATERIAL:	Designed:	NAME:
		1:1	mm	MODEL NO:		FINISH:	Checked:	DWG NO:
WENZHOU YIHUA CONNECTOR CO., LTD 温州意华连接器股份有限公司					SHEET 1 OF 1		Approved:	PART NO:

QRK-02 1 2 3 4

A

A

B

B