

TPD4S012 4-Channel ESD Solution for USB-HS/USB OTG/USB Charger Interface

1 Features

- Integrated ESD Clamps on all Pins
- USB Signal Pins (D+, D-, ID)
 - 0.8-pF Line Capacitance
- Supports Data Rates in Excess of 480 Mbps
- IEC 61000-4-2 ESD Protection (Level 4 Contact)
 - ±10-kV IEC 61000-4-2 Contact Discharge
- IEC 61000-4-5 Surge
 - 3 Amps Peak Pulse Current

2 Applications

- Cellular Phones
- Digital Cameras
- Global Positioning Systems (GPS)
- Portable Digital Assistants (PDA)
- Portable Computers

3 Description

The TPD4S012 is a four-channel Transient Voltage Suppressor (TVS) based Electrostatic Discharge (ESD) protection diode array for USB chargers and USB On-The-Go (OTG) interfaces.

The TPD4S012 provides IEC 61000-4-2 system level ESD Protection featuring 15 V tolerance on the V_{BUS} line. The device is ideal for providing circuit protection for USB charger and OTG applications due to its high-voltage tolerance at the V_{BUS} line and small flow-through package.

Device Information⁽¹⁾

PART NUMBER	PACKAGE	BODY SIZE (NOM)
TPD4S012	SON (6)	1.45 mm x 1.00 mm

(1) For all available packages, see the orderable addendum at the end of the datasheet.

Typical Application Schematic

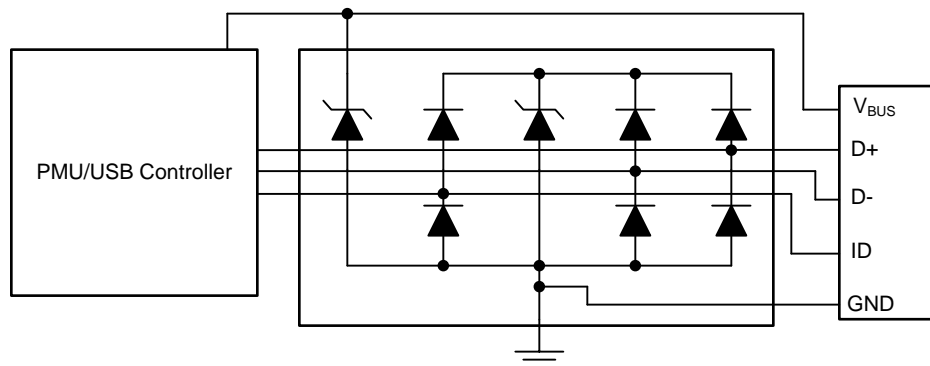


Table of Contents

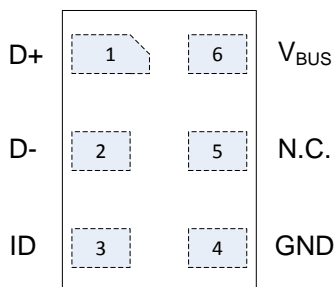
1 Features	1	7.3 Feature Description	8
2 Applications	1	7.4 Device Functional Modes.....	9
3 Description	1	8 Applications and Implementation	10
4 Revision History	2	8.1 Application Information.....	10
5 Pin Configurations and Functions	3	8.2 Typical Application	10
6 Specifications	4	9 Power Supply Recommendations	12
6.1 Absolute Maximum Ratings	4	10 Layout	12
6.2 Handling Ratings.....	4	10.1 Layout Guidelines	12
6.3 Recommended Operating Conditions.....	4	10.2 Layout Example	12
6.4 Thermal Information	4	11 Device and Documentation Support	13
6.5 Electrical Characteristics.....	5	11.1 Trademarks	13
6.6 Typical Characteristics.....	6	11.2 Electrostatic Discharge Caution.....	13
7 Detailed Description	8	11.3 Glossary	13
7.1 Overview	8	12 Mechanical, Packaging, and Orderable Information	13
7.2 Functional Block Diagram	8		

4 Revision History

Changes from Revision A (November 2009) to Revision B	Page
<ul style="list-style-type: none"> Added <i>Handling Rating</i> table, <i>Feature Description</i> section, <i>Device Functional Modes</i>, <i>Application and Implementation</i> section, <i>Power Supply Recommendations</i> section, <i>Layout</i> section, <i>Device and Documentation Support</i> section, and <i>Mechanical, Packaging, and Orderable Information</i> section 	1

5 Pin Configurations and Functions

DRY PACKAGE (TOP VIEW)



N.C. – Not internally connected

D+, D-, and ID pins are exact equivalent ESD clamp circuits. Any of these pins can be connected to any other D+, D-, or ID pin if it becomes easier to route the traces from the USB connector.

Pin Functions

PIN		TYPE	DESCRIPTION
DRY PIN NO.	NAME		
1	D+	ESD clamp	Provides ESD protection to the high-speed differential data lines
2	D-	ESD clamp	Provides ESD protection to the high-speed differential data lines
3	ID	ESD clamp	Provides ESD protection to the high-speed differential data lines
4	GND	PWR	Ground
5	N.C.	–	Not internally connected
6	V _{BUS}	ESD clamp	ESD clamp for high-voltage tolerant V _{BUS} line(s)

6 Specifications

6.1 Absolute Maximum Ratings

Over operating free-air temperature range (unless otherwise noted)

PARAMETER		MIN	MAX	UNIT
V_{BUS} voltage tolerance	V_{BUS} pin	-0.3	20	V
IO voltage tolerance	D+, D-, ID pins	-0.3	6	V
T_A Operating free-air temperature range		-40	85	°C
IEC 61000-4-2 Contact Discharge	D+, D-, ID		±10	kV
	V_{BUS} pin		±10	kV
IEC 61000-4-2 Air-Gap Discharge	D+, D-, ID		±10	kV
	V_{BUS} pin		±9	kV
IEC 61000-4-5 Surge ($t_p = 8/20 \mu s$)	Peak pulse Power (All pins)		60	W
	Peak pulse current (All Pins)		3	A

6.2 Handling Ratings

		MIN	MAX	UNIT	
T_{stg}	Storage temperature range	-65	125	°C	
$V_{(ESD)}$	Electrostatic discharge	Human body model (HBM), per ANSI/ESDA/JEDEC JS-001, all pins ⁽¹⁾	-2.5	2.5	kV
		Charged device model (CDM), per JEDEC specification JESD22-C101, all pins ⁽²⁾	-1	1	

(1) JEDEC document JEP155 states that 500-V HBM allows safe manufacturing with a standard ESD control process.

(2) JEDEC document JEP157 states that 250-V CDM allows safe manufacturing with a standard ESD control process.

6.3 Recommended Operating Conditions

over operating free-air temperature range (unless otherwise noted)

PARAMETER		MIN	MAX	UNIT
T_A	Operating free-air Temperature Range	-40	85	°C
Operating Voltage	V_{BUS} Pin	0	15	V
	D+, D-, ID Pins	0	5.5	

6.4 Thermal Information

THERMAL METRIC ⁽¹⁾		TPD4S012	UNIT
		DRY	
		6 PINS	
$R_{\theta JA}$	Junction-to-ambient thermal resistance	461.3	°C/W
$R_{\theta JC(top)}$	Junction-to-case (top) thermal resistance	219.6	
$R_{\theta JB}$	Junction-to-board thermal resistance	343.7	
Ψ_{JT}	Junction-to-top characterization parameter	162.5	
Ψ_{JB}	Junction-to-board characterization parameter	343.7	

(1) For more information about traditional and new thermal metrics, see the *IC Package Thermal Metrics* application report, [SPRA953](#).

6.5 Electrical Characteristics

over operating free-air temperature range (unless otherwise noted)

PARAMETER		TEST CONDITIONS		MIN	TYP	MAX	UNIT
$I_{V_{BUS}}$	V_{BUS} operating current	$V_{BUS} = 19\text{ V}$	D+, D–, ID pins open		0.1	0.5	μA
I_{IO}	IO port current	$V_{IO} = 2.5\text{ V}$, $V_{BUS} = 5\text{ V}$	D+, D–, ID pins		0.1	0.5	μA
V_D	Diode forward voltage	$I_{IO} = 8\text{ mA}$	D+, D–, ID pins (lower clamp diode)	0.6	0.8	0.95	V
$C_{V_{BUS}}$	V_{BUS} pin capacitance	$V_{BUS} = 5\text{ V}$			11	15	pF
C_{IO}	IO capacitance	$V_{IO} = 2.5\text{ V}$	D+, D–, ID pins		0.8	1	pF
R_{DYN}	Dynamic resistance	$I_{IO} = 1.5\text{ A}$	D+, D–, ID, and V_{BUS} pins, including central clamp diode during positive ESD pulse		1.2		Ω
		$I_{IO} = 1\text{ A}$	D+, D–, ID, and V_{BUS} pins, including central clamp diode during negative ESD pulse		1		
V_{BR}	Breakdown voltage	$I_{IO} = 1\text{ mA}$	D+, D–, ID pins	6	9		V
			V_{BUS} pin(s)	20	24		

6.6 Typical Characteristics

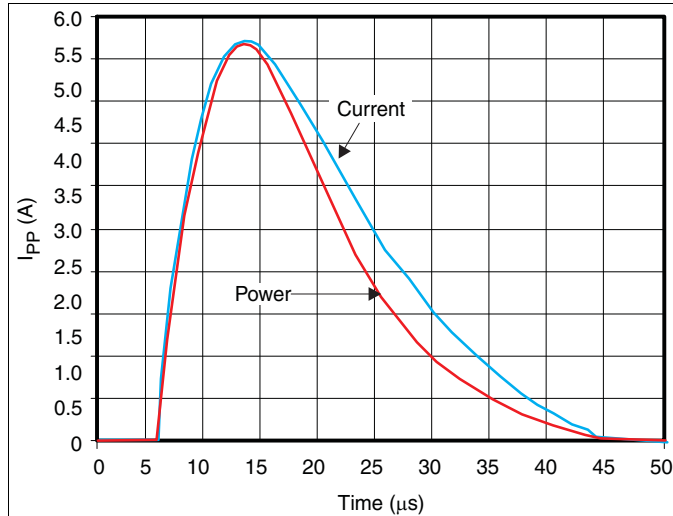


Figure 1. Peak Pulse Power Waveform at the D+, D-, or ID Pin

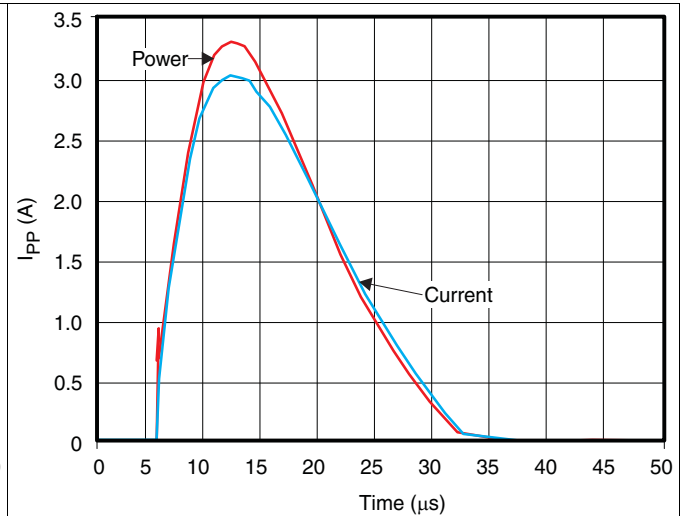


Figure 2. Peak Pulse Power Waveform at the V_{BUS} Pin

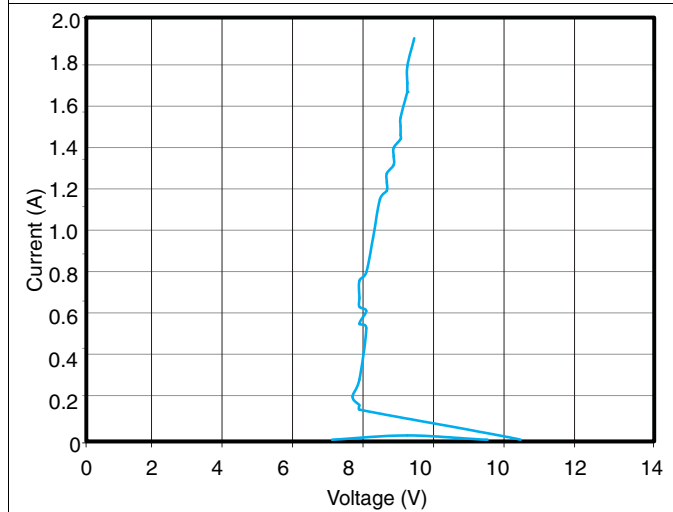


Figure 3. D+, D-, or ID Clamp Voltage Under ESD Event

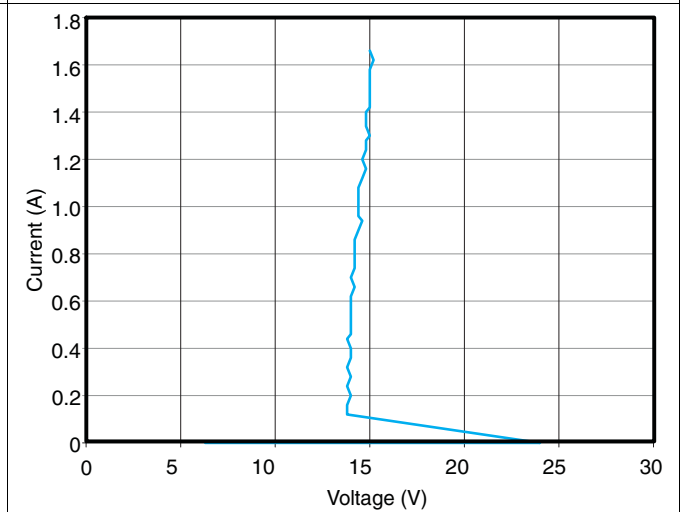


Figure 4. V_{BUS} Clamp Voltage Under ESD Event

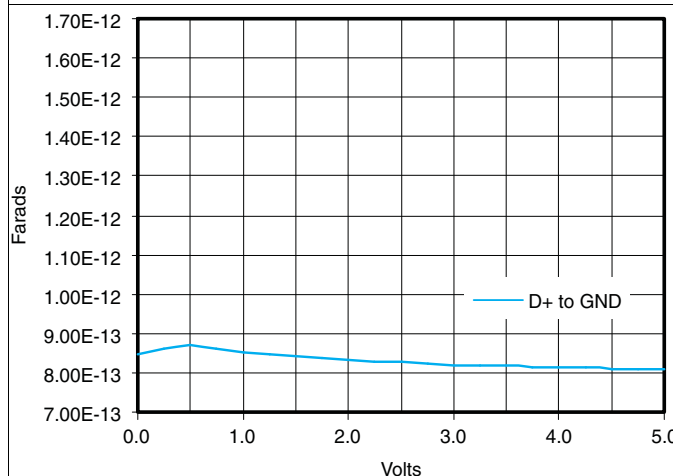


Figure 5. D+, D-, or ID Capacitance, T_A = 27°C

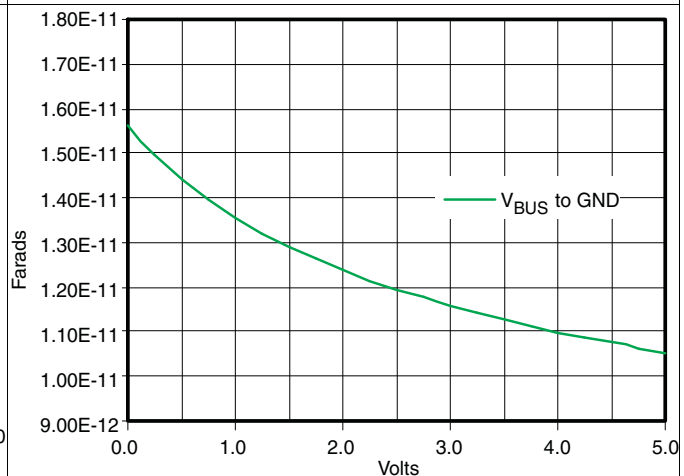


Figure 6. V_{BUS} Capacitance, T_A = 27°C

Typical Characteristics (continued)

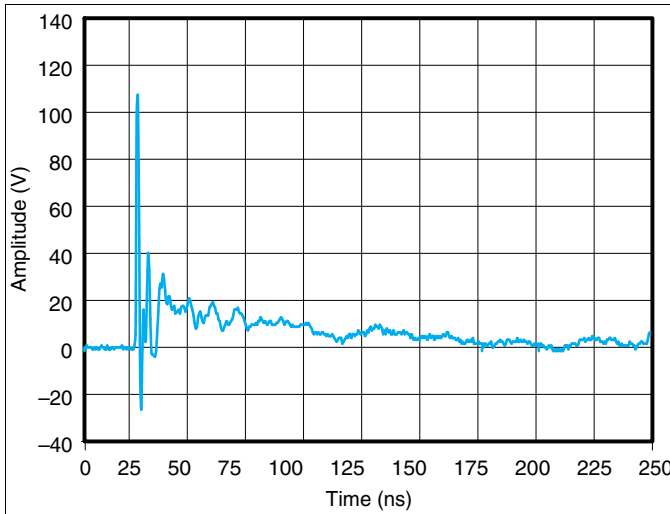


Figure 7. IEC Clamping Waveform, 8 kV Contact, D+, 25 ns/div

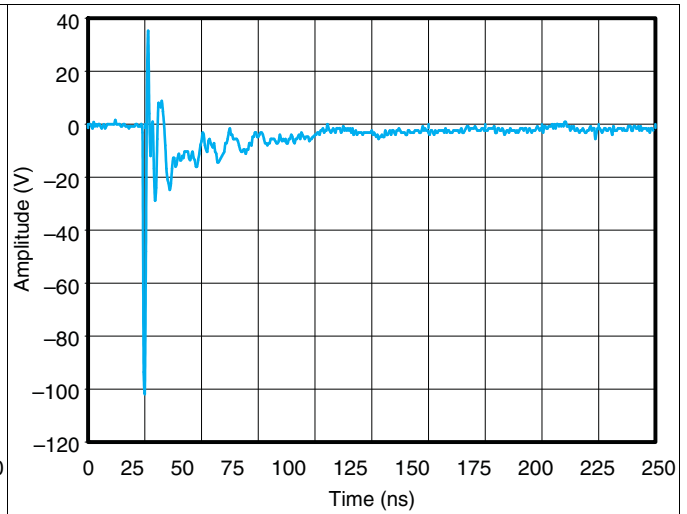


Figure 8. IEC Clamping Waveform, -8 kV Contact, D+, 25 ns/div

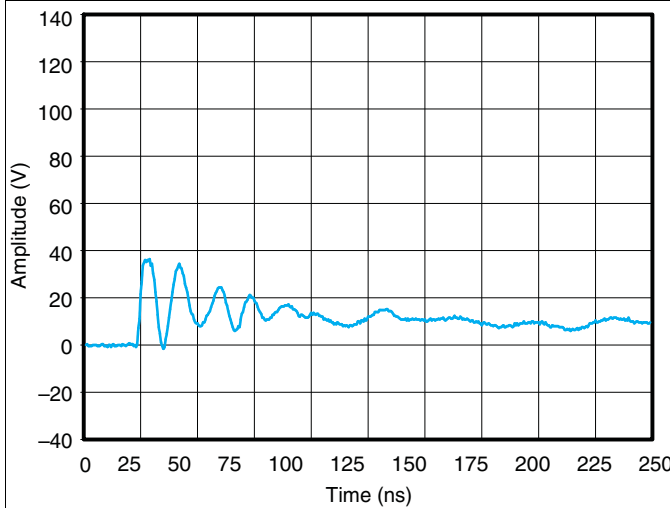


Figure 9. V_{BUS} IEC Clamping Waveform, 8 kV Contact, 25 ns/div

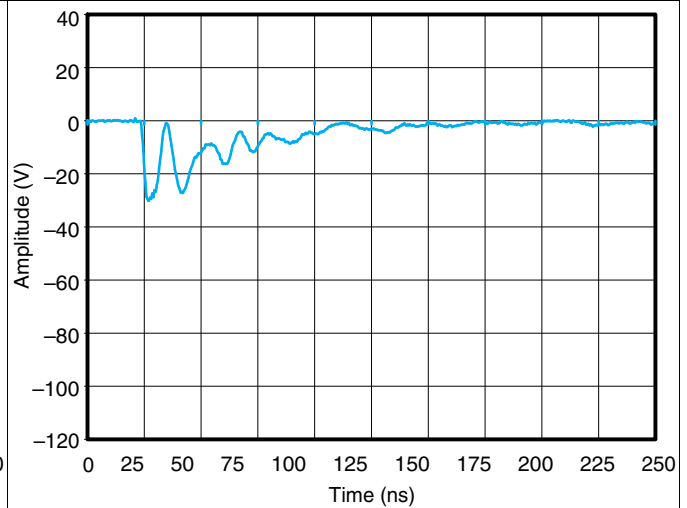


Figure 10. V_{BUS} IEC Clamping Waveform, -8 kV Contact, 25 ns/div

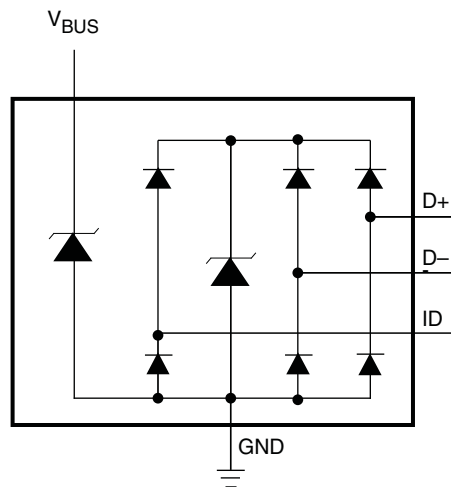
7 Detailed Description

7.1 Overview

The TPD4S012 is a four-channel Transient Voltage Suppressor (TVS) based Electrostatic Discharge (ESD) protection diode array for USB chargers and USB On-The-Go (OTG) interfaces.

The TPD4S012 provides IEC 61000-4-2 system level ESD Protection featuring 15 V tolerance on the V_{BUS} line. The device is ideal for providing circuit protection for USB charger and OTG applications due to its high-voltage tolerance at the V_{BUS} line and small flow-through package.

7.2 Functional Block Diagram



7.3 Feature Description

7.3.1 Integrated ESD Clamps

Integrated ESD Clamps on the D+, D-, V_{BUS} , and ID pins provide single-chip ESD protection for USB High Speed, USB-OTG, and USB charger interfaces.

7.3.2 USB Signal Pins

D+, D- and ID USB Signal pins have low capacitance (0.8 pF Typ).

7.3.3 V_{BUS} Line

The V_{BUS} line has a 11 pF (Typ) capacitance.

7.3.4 Supports Data Rates in Excess of 480 Mbps

The low capacitance (0.8 pF Typ) of the data lines supports speeds in excess of 480 Mbps.

7.3.5 IEC 61000-4-2 (Level 4 Contact)

IEC 61000-4-2 (Level 4 contact) system level ESD compliance measured at the D+, D- and ID pins is rated for ± 10 kV contact and air-gap discharge.

7.3.6 IEC 61000-4-5 Surge

IEC 61000-4-5 system level surge compliance measured at D+, D-, ID, and V_{BUS} pins rated to 3 A of peak pulse current.

7.4 Device Functional Modes

The TPD4S012 is a passive integrated circuit that triggers when voltages are above V_{BR} or below the lower diode's V_f . During ESD events, voltages as high as ± 10 kV (contact) can be directed to ground via the internal diode network. Once the voltages on the protected line fall below the trigger levels of TPD4S012 (usually within 10's of nano-seconds), the device reverts to passive.

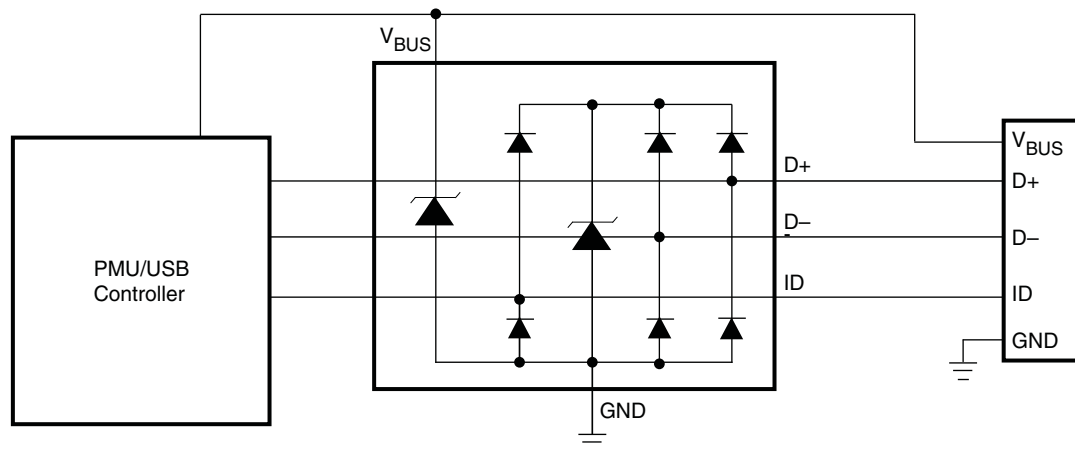
8 Applications and Implementation

8.1 Application Information

The TPD4S012 is a four-channel Transient Voltage Suppressor (TVS) based Electrostatic Discharge (ESD) protection diode array for USB chargers and USB On-The-Go (OTG) interfaces.

The TPD4S012 provides IEC 61000-4-2 system level ESD Protection featuring 15 V tolerance on the V_{BUS} line. The device is ideal for providing circuit protection for USB charger and OTG applications due to its high-voltage tolerance at the V_{BUS} line and small flow-through package.

8.2 Typical Application



If the ID pin is not used, it can be left floating.

Figure 11. Typical Application Schematic

8.2.1 Design Requirements

For this design example, a single TPD4S012 is used to protect all pins of a micro/mini USB connector.

Given the USB application, the following parameters are known.

DESIGN PARAMETER	VALUE
Signal range on D+, D–, and ID	0 V to 5 V
Signal range on V_{BUS}	0 V to 5 V
Operating Frequency	240 MHz

8.2.2 Detailed Design Procedure

To begin the design process, some parameters must be decided upon; the designer needs to know the following:

- Signal range on all the protected lines
- Operating frequency

8.2.2.1 Signal Range on D+, D–, ID and V_{BUS} pins

The TPD4S012 has 3 pins which support 0 to 5.5 V signals, these are suited for the D+, D–, and ID pins. The V_{BUS} pin is suitable for the VBUS line, and has the benefit of being tolerant of voltages up to 16 V

8.2.2.2 Operating Frequency

The 0.8 pF (Typ) of the TPD4S012 support data rates in excess of 480 Mbps.

8.2.3 Application Curve

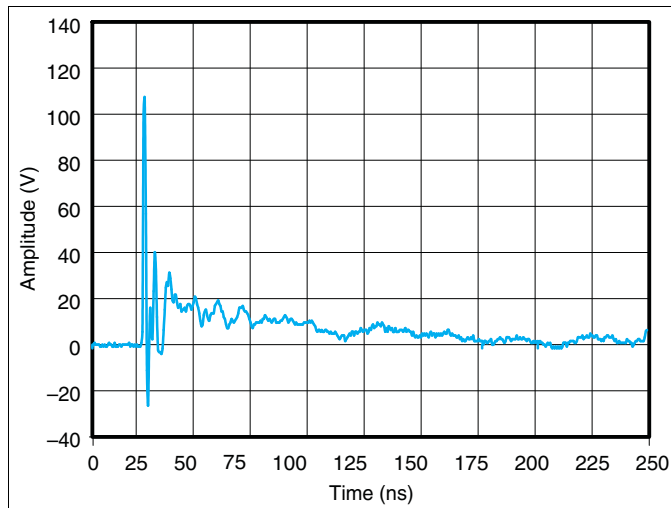


Figure 12. IEC Clamping Waveform, 8 kV Contact, D+, 25 ns/div

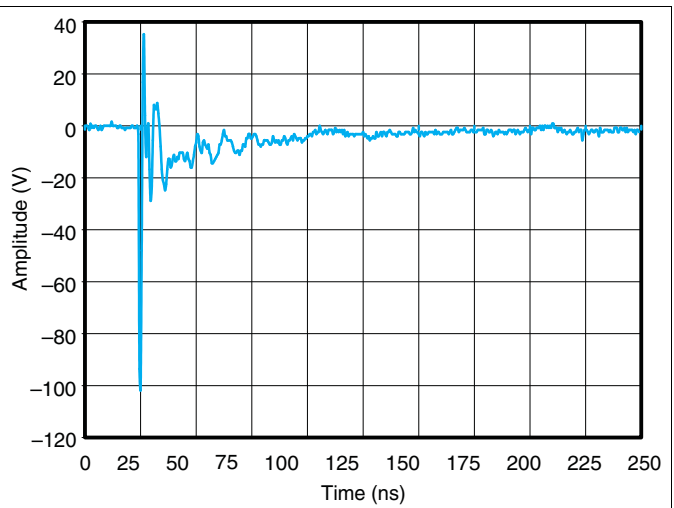


Figure 13. IEC Clamping Waveform, -8 kV Contact, D+, 25 ns/div

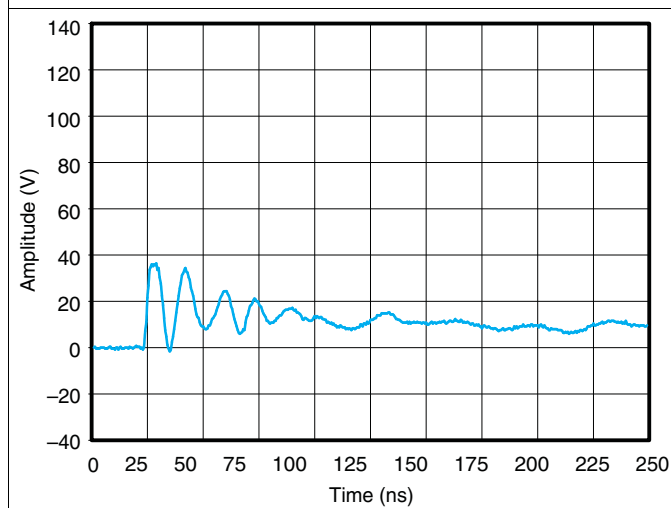


Figure 14. V_{BUS} IEC Clamping Waveform, 8 kV Contact, 25 ns/div

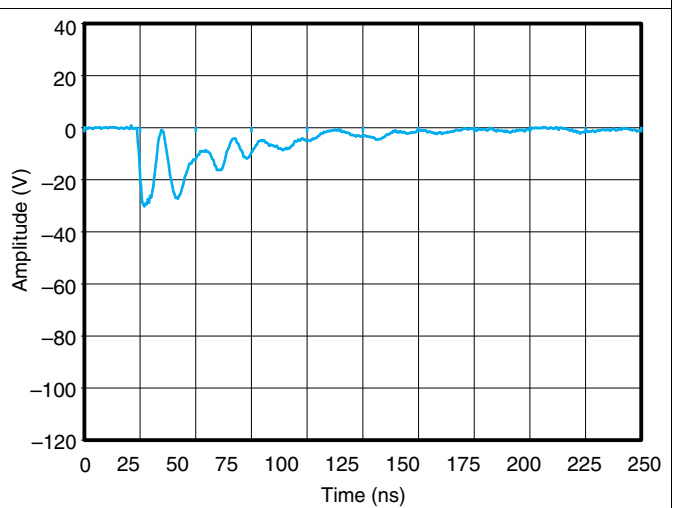


Figure 15. V_{BUS} IEC Clamping Waveform, -8 kV Contact, 25 ns/div

9 Power Supply Recommendations

This family of devices are passive ESD protection devices and there is no need to power them. Care should be taken to not violate the maximum voltage specification to ensure that the device functions properly. The V_{BUS} TVS diode can tolerate up to a 15 V signal. The D+, D–, and ID pins tolerate up to a 5.5 V signal.

10 Layout

10.1 Layout Guidelines

- The optimum placement is as close to the connector as possible.
 - EMI during an ESD event can couple from the trace being struck to other nearby unprotected traces, resulting in early system failures.
 - The PCB designer needs to minimize the possibility of EMI coupling by keeping any unprotected traces away from the protected traces which are between the TVS and the connector.
- Route the protected traces as straight as possible.
- Eliminate any sharp corners on the protected traces between the TVS and the connector by using rounded corners with the largest radii possible.
 - Electric fields tend to build up on corners, increasing EMI coupling.

10.2 Layout Example

This application is typical of a mobile USB platform with an ID pin in addition to the D+, D–, and V_{BUS} pins.

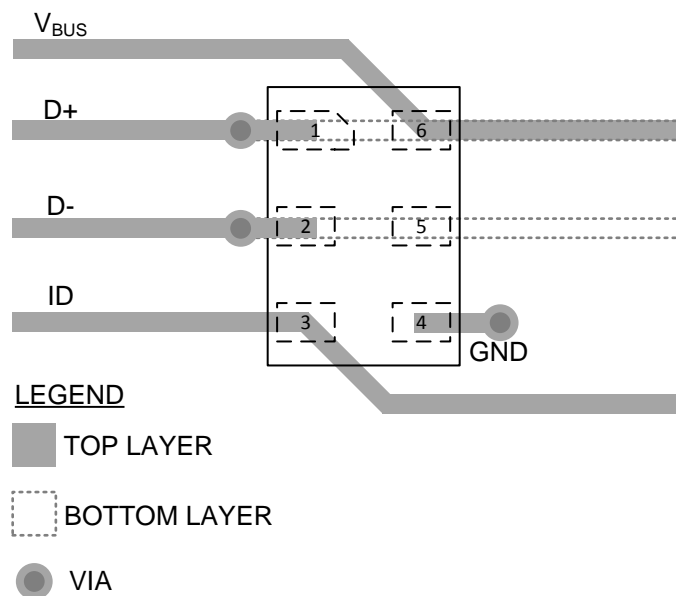


Figure 16. Using DRY Package

11 Device and Documentation Support

11.1 Trademarks

All trademarks are the property of their respective owners.

11.2 Electrostatic Discharge Caution



These devices have limited built-in ESD protection. The leads should be shorted together or the device placed in conductive foam during storage or handling to prevent electrostatic damage to the MOS gates.

11.3 Glossary

[SLYZ022](#) — *TI Glossary*.

This glossary lists and explains terms, acronyms, and definitions.

12 Mechanical, Packaging, and Orderable Information

The following pages include mechanical, packaging, and orderable information. This information is the most current data available for the designated devices. This data is subject to change without notice and revision of this document. For browser-based versions of this data sheet, refer to the left-hand navigation.

PACKAGING INFORMATION

Orderable Device	Status (1)	Package Type	Package Drawing	Pins	Package Qty	Eco Plan (2)	Lead/Ball Finish (6)	MSL Peak Temp (3)	Op Temp (°C)	Device Marking (4/5)	Samples
TPD4S012DRYR	ACTIVE	SON	DRY	6	5000	Green (RoHS & no Sb/Br)	CU NIPDAU	Level-1-260C-UNLIM	-40 to 85	3B	Samples

(1) The marketing status values are defined as follows:

ACTIVE: Product device recommended for new designs.

LIFEBUY: TI has announced that the device will be discontinued, and a lifetime-buy period is in effect.

NRND: Not recommended for new designs. Device is in production to support existing customers, but TI does not recommend using this part in a new design.

PREVIEW: Device has been announced but is not in production. Samples may or may not be available.

OBSELETE: TI has discontinued the production of the device.

(2) Eco Plan - The planned eco-friendly classification: Pb-Free (RoHS), Pb-Free (RoHS Exempt), or Green (RoHS & no Sb/Br) - please check <http://www.ti.com/productcontent> for the latest availability information and additional product content details.

TBD: The Pb-Free/Green conversion plan has not been defined.

Pb-Free (RoHS): TI's terms "Lead-Free" or "Pb-Free" mean semiconductor products that are compatible with the current RoHS requirements for all 6 substances, including the requirement that lead not exceed 0.1% by weight in homogeneous materials. Where designed to be soldered at high temperatures, TI Pb-Free products are suitable for use in specified lead-free processes.

Pb-Free (RoHS Exempt): This component has a RoHS exemption for either 1) lead-based flip-chip solder bumps used between the die and package, or 2) lead-based die adhesive used between the die and leadframe. The component is otherwise considered Pb-Free (RoHS compatible) as defined above.

Green (RoHS & no Sb/Br): TI defines "Green" to mean Pb-Free (RoHS compatible), and free of Bromine (Br) and Antimony (Sb) based flame retardants (Br or Sb do not exceed 0.1% by weight in homogeneous material)

(3) MSL, Peak Temp. - The Moisture Sensitivity Level rating according to the JEDEC industry standard classifications, and peak solder temperature.

(4) There may be additional marking, which relates to the logo, the lot trace code information, or the environmental category on the device.

(5) Multiple Device Markings will be inside parentheses. Only one Device Marking contained in parentheses and separated by a "-" will appear on a device. If a line is indented then it is a continuation of the previous line and the two combined represent the entire Device Marking for that device.

(6) Lead/Ball Finish - Orderable Devices may have multiple material finish options. Finish options are separated by a vertical ruled line. Lead/Ball Finish values may wrap to two lines if the finish value exceeds the maximum column width.

Important Information and Disclaimer:The information provided on this page represents TI's knowledge and belief as of the date that it is provided. TI bases its knowledge and belief on information provided by third parties, and makes no representation or warranty as to the accuracy of such information. Efforts are underway to better integrate information from third parties. TI has taken and continues to take reasonable steps to provide representative and accurate information but may not have conducted destructive testing or chemical analysis on incoming materials and chemicals. TI and TI suppliers consider certain information to be proprietary, and thus CAS numbers and other limited information may not be available for release.

In no event shall TI's liability arising out of such information exceed the total purchase price of the TI part(s) at issue in this document sold by TI to Customer on an annual basis.

TAPE AND REEL INFORMATION



QUADRANT ASSIGNMENTS FOR PIN 1 ORIENTATION IN TAPE



*All dimensions are nominal

Device	Package Type	Package Drawing	Pins	SPQ	Reel Diameter (mm)	Reel Width W1 (mm)	A0 (mm)	B0 (mm)	K0 (mm)	P1 (mm)	W (mm)	Pin1 Quadrant
TPD4S012DRYR	SON	DRY	6	5000	179.0	8.4	1.2	1.65	0.7	4.0	8.0	Q1
TPD4S012DRYR	SON	DRY	6	5000	180.0	9.5	1.2	1.65	0.7	4.0	8.0	Q1

TAPE AND REEL BOX DIMENSIONS



*All dimensions are nominal

Device	Package Type	Package Drawing	Pins	SPQ	Length (mm)	Width (mm)	Height (mm)
TPD4S012DRYR	SON	DRY	6	5000	203.0	203.0	35.0
TPD4S012DRYR	SON	DRY	6	5000	189.0	185.0	36.0

GENERIC PACKAGE VIEW

DRY 6

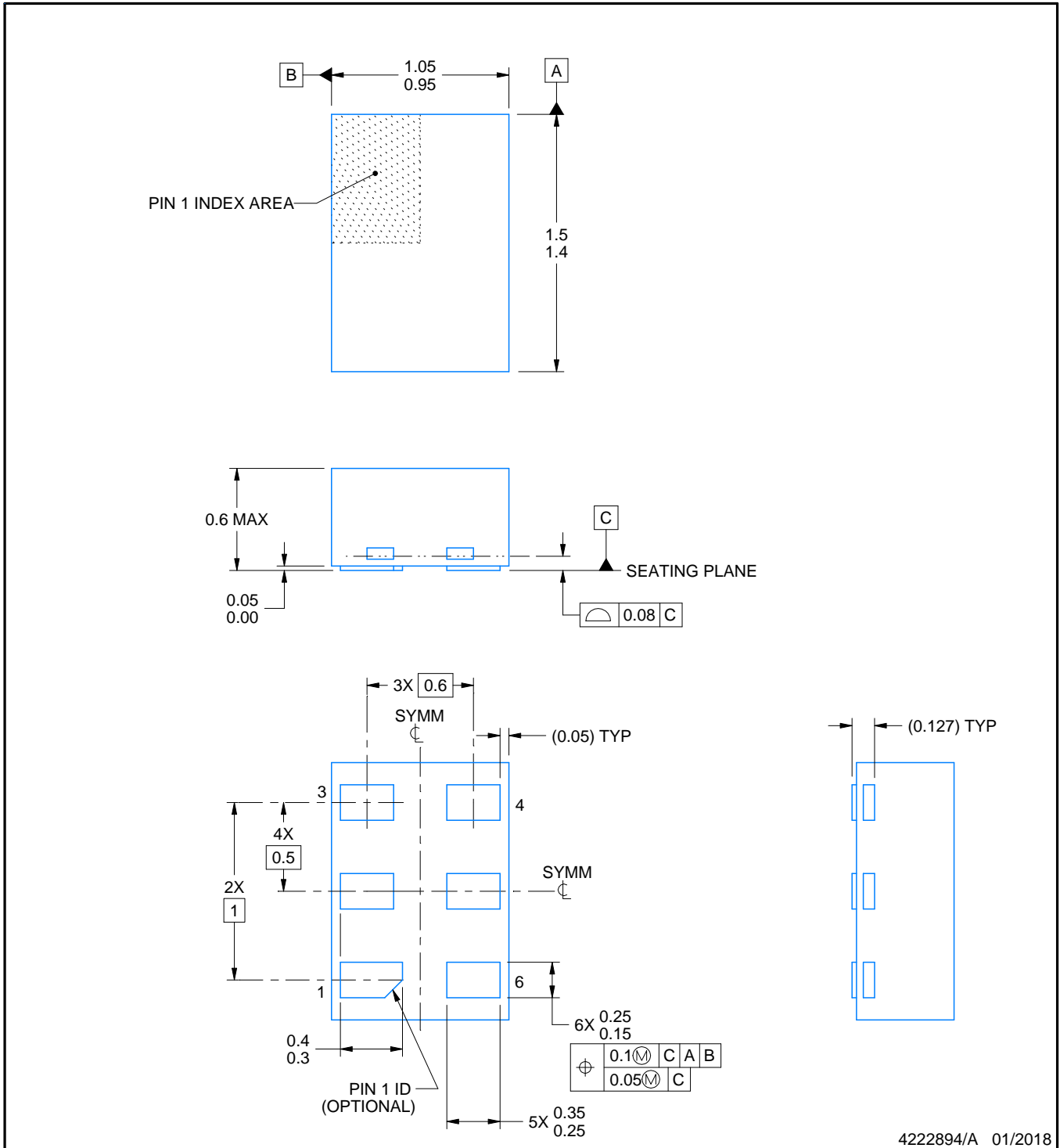
USON - 0.6 mm max height

PLASTIC SMALL OUTLINE - NO LEAD



Images above are just a representation of the package family, actual package may vary.
Refer to the product data sheet for package details.

4207181/G



4222894/A 01/2018

NOTES:

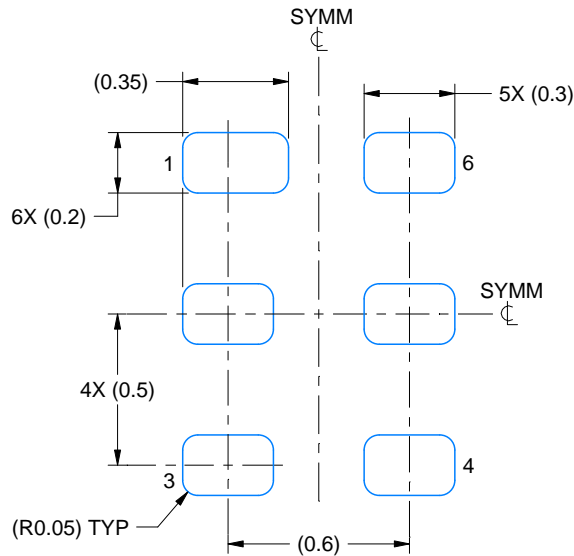
1. All linear dimensions are in millimeters. Any dimensions in parenthesis are for reference only. Dimensioning and tolerancing per ASME Y14.5M.
2. This drawing is subject to change without notice.

EXAMPLE BOARD LAYOUT

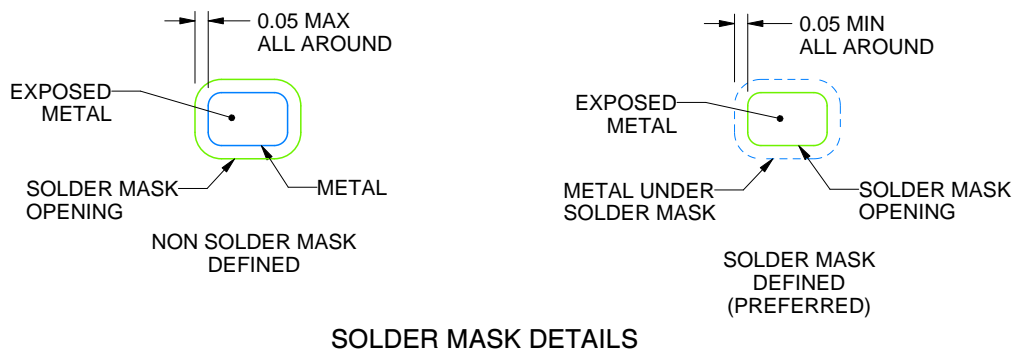
DRY0006A

USON - 0.6 mm max height

PLASTIC SMALL OUTLINE - NO LEAD



LAND PATTERN EXAMPLE
1:1 RATIO WITH PKG SOLDER PADS
EXPOSED METAL SHOWN
SCALE:40X



SOLDER MASK DETAILS

4222894/A 01/2018

NOTES: (continued)

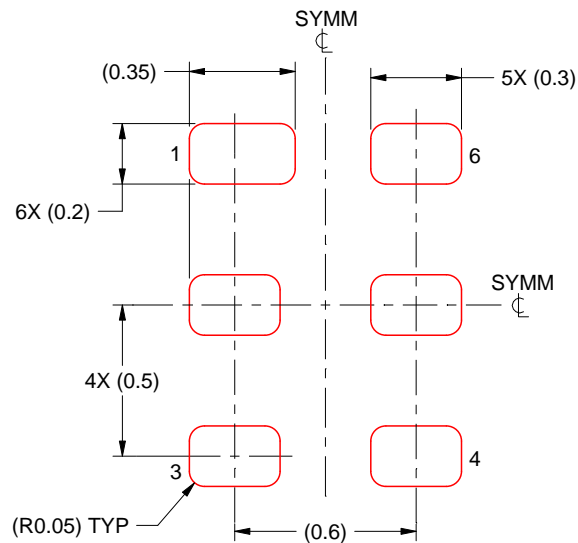
3. For more information, see QFN/SON PCB application report in literature No. SLUA271 (www.ti.com/lit/slua271).

EXAMPLE STENCIL DESIGN

DRY0006A

USON - 0.6 mm max height

PLASTIC SMALL OUTLINE - NO LEAD



SOLDER PASTE EXAMPLE
BASED ON 0.075 - 0.1 mm THICK STENCIL
SCALE:40X

4222894/A 01/2018

NOTES: (continued)

4. Laser cutting apertures with trapezoidal walls and rounded corners may offer better paste release. IPC-7525 may have alternate design recommendations.

IMPORTANT NOTICE

Texas Instruments Incorporated (TI) reserves the right to make corrections, enhancements, improvements and other changes to its semiconductor products and services per JESD46, latest issue, and to discontinue any product or service per JESD48, latest issue. Buyers should obtain the latest relevant information before placing orders and should verify that such information is current and complete.

TI's published terms of sale for semiconductor products (<http://www.ti.com/sc/docs/stdterms.htm>) apply to the sale of packaged integrated circuit products that TI has qualified and released to market. Additional terms may apply to the use or sale of other types of TI products and services.

Reproduction of significant portions of TI information in TI data sheets is permissible only if reproduction is without alteration and is accompanied by all associated warranties, conditions, limitations, and notices. TI is not responsible or liable for such reproduced documentation. Information of third parties may be subject to additional restrictions. Resale of TI products or services with statements different from or beyond the parameters stated by TI for that product or service voids all express and any implied warranties for the associated TI product or service and is an unfair and deceptive business practice. TI is not responsible or liable for any such statements.

Buyers and others who are developing systems that incorporate TI products (collectively, "Designers") understand and agree that Designers remain responsible for using their independent analysis, evaluation and judgment in designing their applications and that Designers have full and exclusive responsibility to assure the safety of Designers' applications and compliance of their applications (and of all TI products used in or for Designers' applications) with all applicable regulations, laws and other applicable requirements. Designer represents that, with respect to their applications, Designer has all the necessary expertise to create and implement safeguards that (1) anticipate dangerous consequences of failures, (2) monitor failures and their consequences, and (3) lessen the likelihood of failures that might cause harm and take appropriate actions. Designer agrees that prior to using or distributing any applications that include TI products, Designer will thoroughly test such applications and the functionality of such TI products as used in such applications.

TI's provision of technical, application or other design advice, quality characterization, reliability data or other services or information, including, but not limited to, reference designs and materials relating to evaluation modules, (collectively, "TI Resources") are intended to assist designers who are developing applications that incorporate TI products; by downloading, accessing or using TI Resources in any way, Designer (individually or, if Designer is acting on behalf of a company, Designer's company) agrees to use any particular TI Resource solely for this purpose and subject to the terms of this Notice.

TI's provision of TI Resources does not expand or otherwise alter TI's applicable published warranties or warranty disclaimers for TI products, and no additional obligations or liabilities arise from TI providing such TI Resources. TI reserves the right to make corrections, enhancements, improvements and other changes to its TI Resources. TI has not conducted any testing other than that specifically described in the published documentation for a particular TI Resource.

Designer is authorized to use, copy and modify any individual TI Resource only in connection with the development of applications that include the TI product(s) identified in such TI Resource. NO OTHER LICENSE, EXPRESS OR IMPLIED, BY ESTOPPEL OR OTHERWISE TO ANY OTHER TI INTELLECTUAL PROPERTY RIGHT, AND NO LICENSE TO ANY TECHNOLOGY OR INTELLECTUAL PROPERTY RIGHT OF TI OR ANY THIRD PARTY IS GRANTED HEREIN, including but not limited to any patent right, copyright, mask work right, or other intellectual property right relating to any combination, machine, or process in which TI products or services are used. Information regarding or referencing third-party products or services does not constitute a license to use such products or services, or a warranty or endorsement thereof. Use of TI Resources may require a license from a third party under the patents or other intellectual property of the third party, or a license from TI under the patents or other intellectual property of TI.

TI RESOURCES ARE PROVIDED "AS IS" AND WITH ALL FAULTS. TI DISCLAIMS ALL OTHER WARRANTIES OR REPRESENTATIONS, EXPRESS OR IMPLIED, REGARDING RESOURCES OR USE THEREOF, INCLUDING BUT NOT LIMITED TO ACCURACY OR COMPLETENESS, TITLE, ANY EPIDEMIC FAILURE WARRANTY AND ANY IMPLIED WARRANTIES OF MERCHANTABILITY, FITNESS FOR A PARTICULAR PURPOSE, AND NON-INFRINGEMENT OF ANY THIRD PARTY INTELLECTUAL PROPERTY RIGHTS. TI SHALL NOT BE LIABLE FOR AND SHALL NOT DEFEND OR INDEMNIFY DESIGNER AGAINST ANY CLAIM, INCLUDING BUT NOT LIMITED TO ANY INFRINGEMENT CLAIM THAT RELATES TO OR IS BASED ON ANY COMBINATION OF PRODUCTS EVEN IF DESCRIBED IN TI RESOURCES OR OTHERWISE. IN NO EVENT SHALL TI BE LIABLE FOR ANY ACTUAL, DIRECT, SPECIAL, COLLATERAL, INDIRECT, PUNITIVE, INCIDENTAL, CONSEQUENTIAL OR EXEMPLARY DAMAGES IN CONNECTION WITH OR ARISING OUT OF TI RESOURCES OR USE THEREOF, AND REGARDLESS OF WHETHER TI HAS BEEN ADVISED OF THE POSSIBILITY OF SUCH DAMAGES.

Unless TI has explicitly designated an individual product as meeting the requirements of a particular industry standard (e.g., ISO/TS 16949 and ISO 26262), TI is not responsible for any failure to meet such industry standard requirements.

Where TI specifically promotes products as facilitating functional safety or as compliant with industry functional safety standards, such products are intended to help enable customers to design and create their own applications that meet applicable functional safety standards and requirements. Using products in an application does not by itself establish any safety features in the application. Designers must ensure compliance with safety-related requirements and standards applicable to their applications. Designer may not use any TI products in life-critical medical equipment unless authorized officers of the parties have executed a special contract specifically governing such use. Life-critical medical equipment is medical equipment where failure of such equipment would cause serious bodily injury or death (e.g., life support, pacemakers, defibrillators, heart pumps, neurostimulators, and implantables). Such equipment includes, without limitation, all medical devices identified by the U.S. Food and Drug Administration as Class III devices and equivalent classifications outside the U.S.

TI may expressly designate certain products as completing a particular qualification (e.g., Q100, Military Grade, or Enhanced Product). Designers agree that it has the necessary expertise to select the product with the appropriate qualification designation for their applications and that proper product selection is at Designers' own risk. Designers are solely responsible for compliance with all legal and regulatory requirements in connection with such selection.

Designer will fully indemnify TI and its representatives against any damages, costs, losses, and/or liabilities arising out of Designer's non-compliance with the terms and provisions of this Notice.