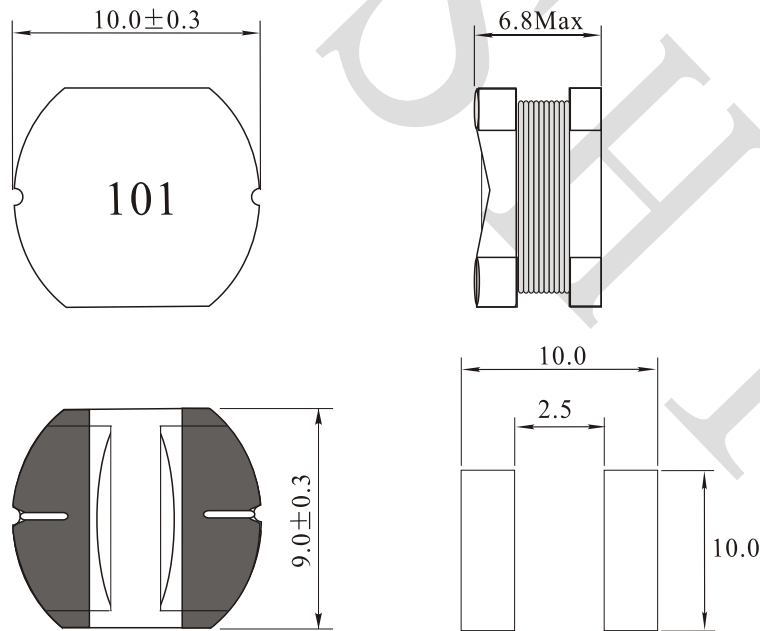
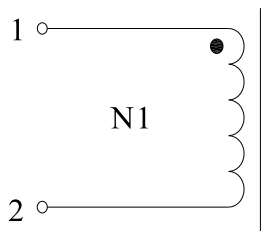


Rev.	Description	Date
A0	New release	2022.12.05

1. PHYSICAL CHARACTERISTICS (mm)



2. ELECTRONICAL SCHEMATIC



3. ELECTRONICAL SPECIFICATIONS

L: 100uH ± 10% @ 1.0KHz, 0.1V

Q: 15 Ref @ 0.796MHz

DCR: 0.35 Ω Max

Isat: 1.7A Max (Inductance drop 10% Max)

Irms: 0.97A Max (Temp. rise 40°C Max)

SRF: 5.2MHz Min

Operating temperature: -40°C to +125°C
(Including temp. rise 40°C)

Storage temperature: -40°C to +125°C

Test Instrument:

L: HP4284A

RDC: HM2540

Note:

1. Solderability: leads shall meet MIL-STD-202, Method 208D for solderability.
2. Flammability: UL94V-0
3. ASTM oxygen index: >28%

NAME:	Power Inductors		
CUSTOMER P/N:	SDR1006-101KL	DATE:	2022-12-05
SHINHOM P/N:	SDR1006-101K-0.97A	REV: A0	PAGE
DRAWN BY	CHECKED BY	APPROVE BY	



SHINHOM
SHAANXISHINHOM ENTERPRISE CO LTD

The Document property belong to SHINHOM & is not allowed to be duplicated without authorization