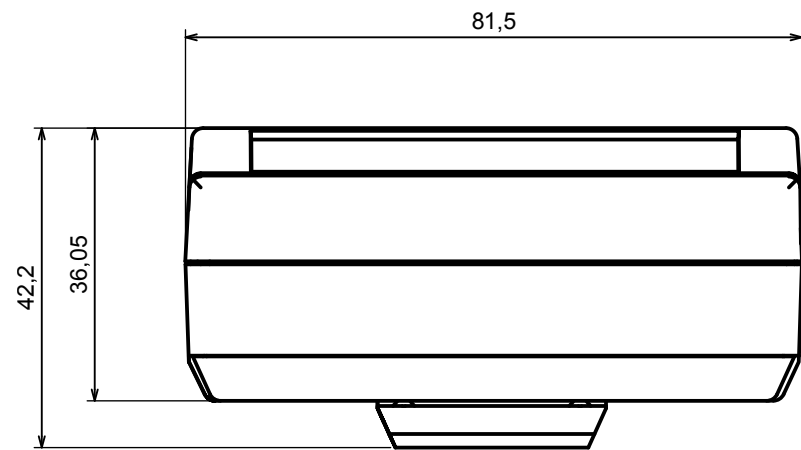
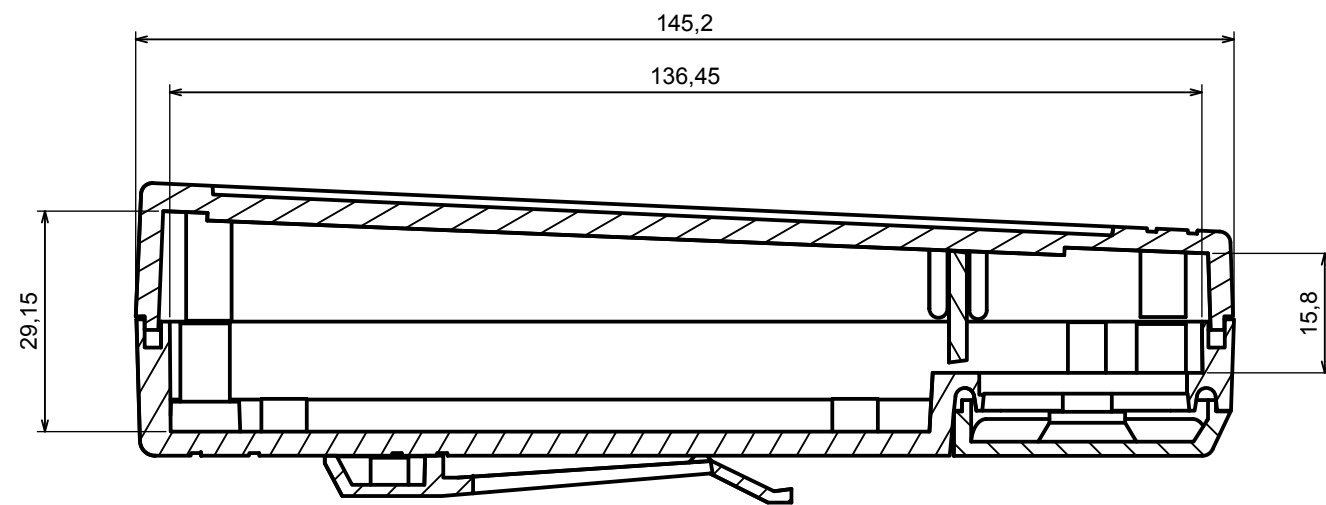



A |

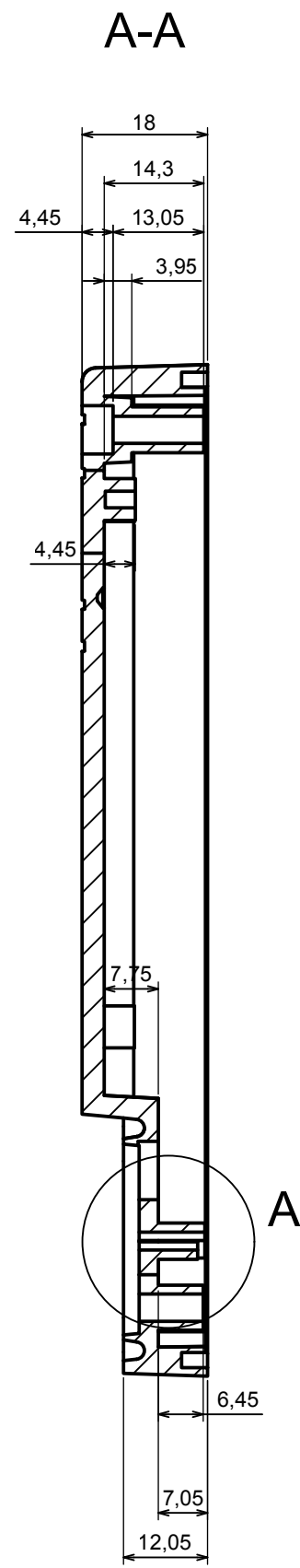
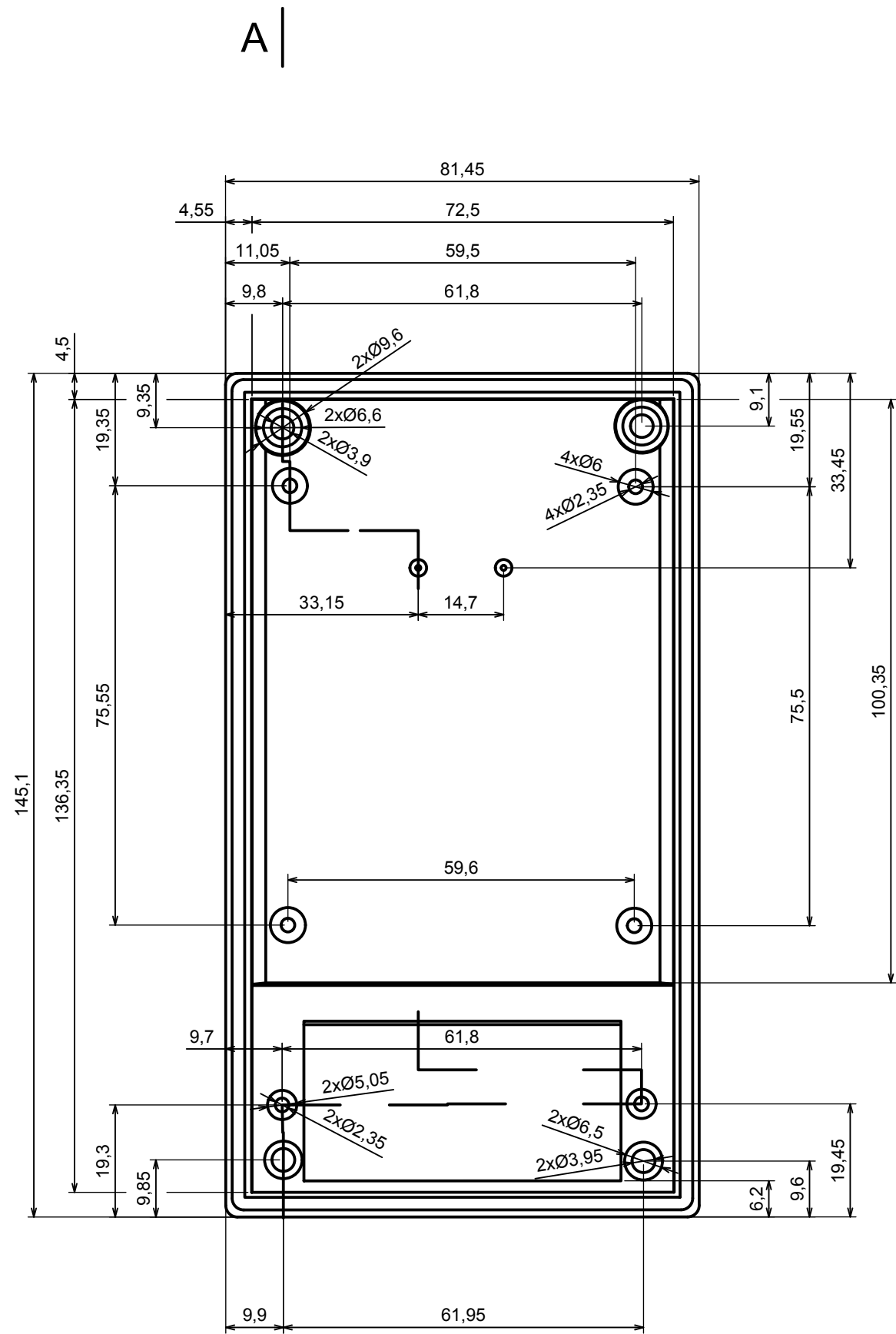


A |

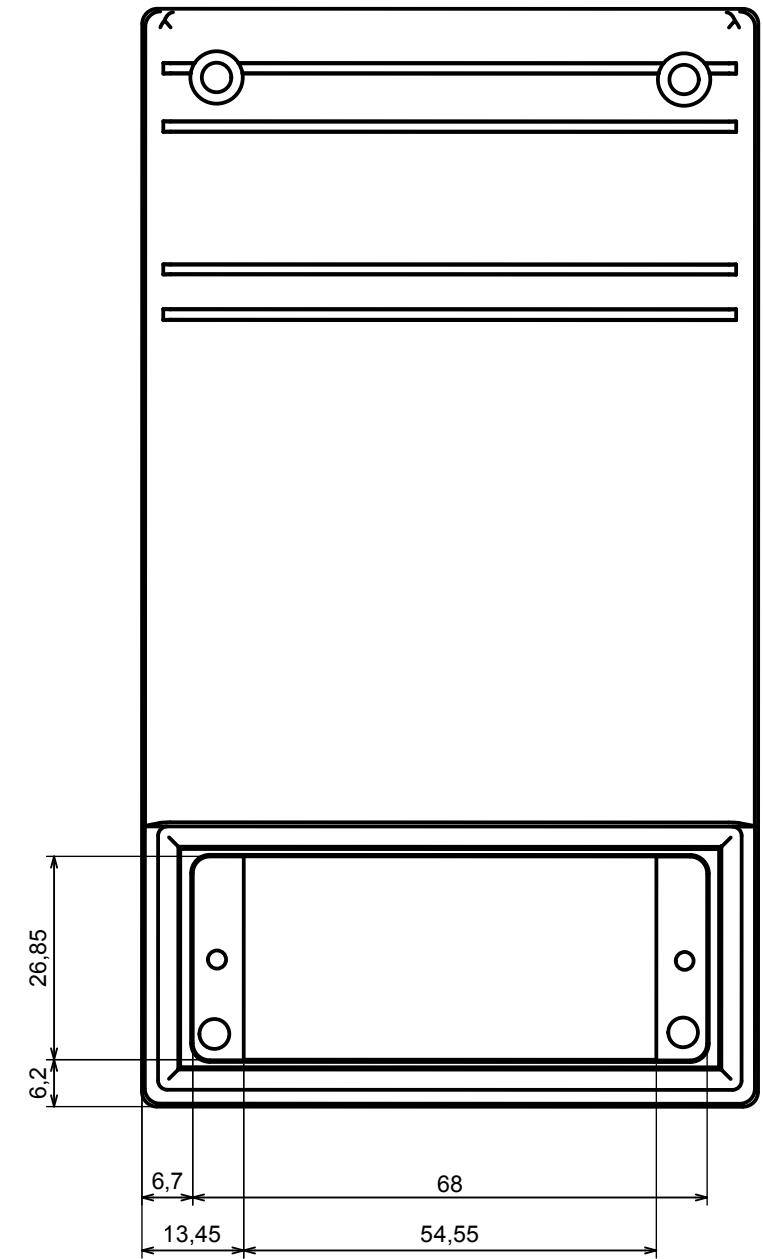
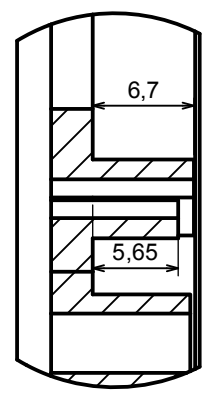
A-A



All rights reserved, Copyright Kradex 2016		
Product model	Enclosure Z48 - assembly	
Format: A3	Material: PS, ABS	
Scale 1:1	Tolerance: +/- 0.8	



A (2:1)

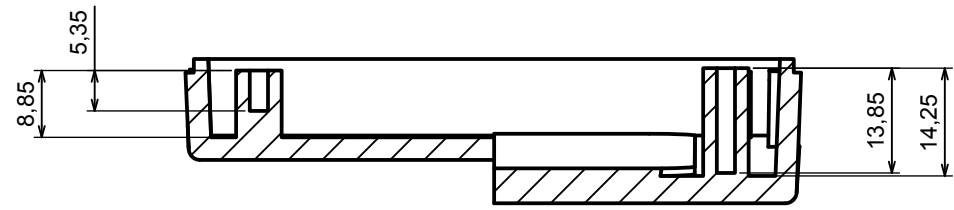


A

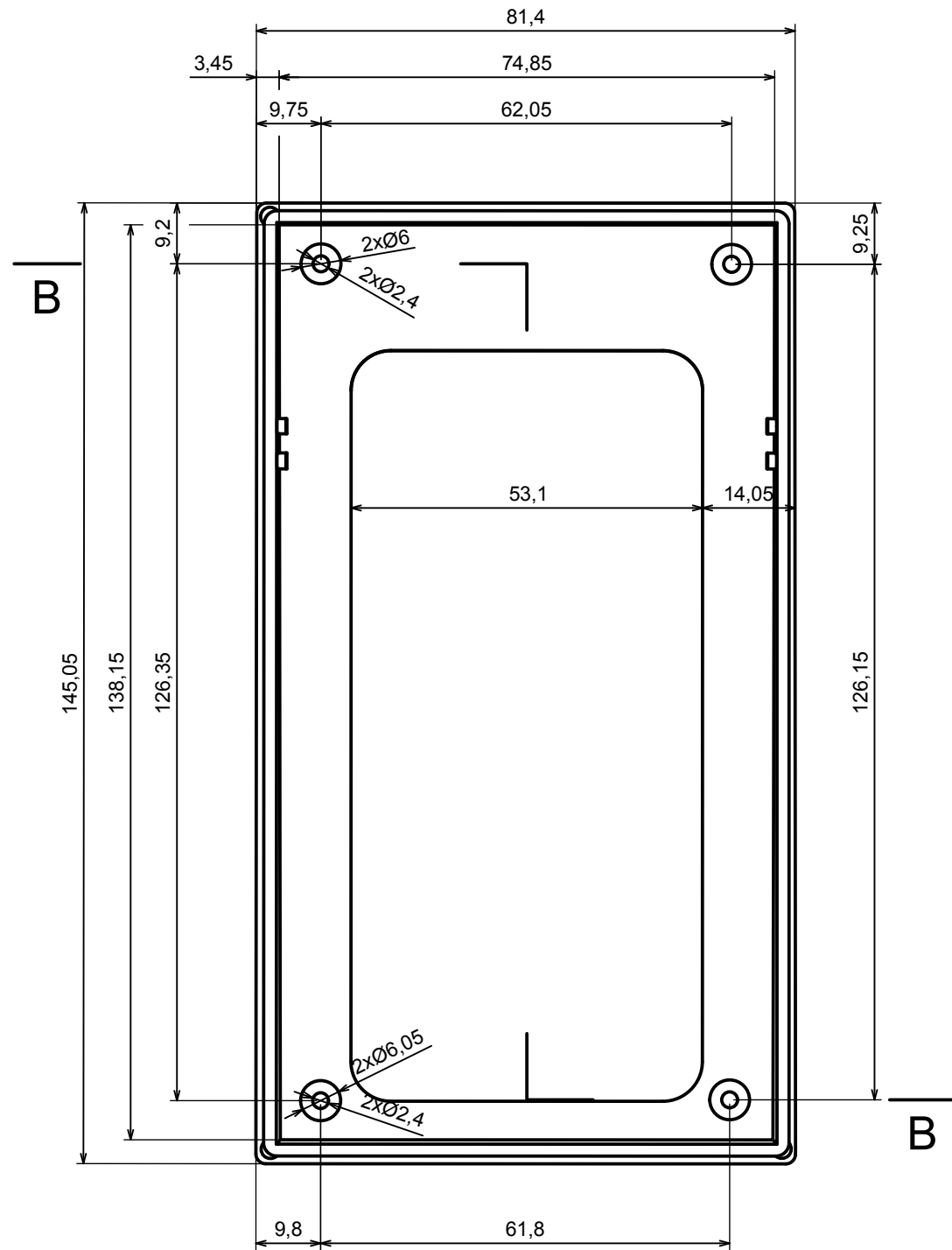
All rights reserved, Copyright Kradex 2016	
Product model	Enclosure Z48 - base
Format: A3	Material: PS, ABS
Scale 1:1	Tolerance: +/- 0.8



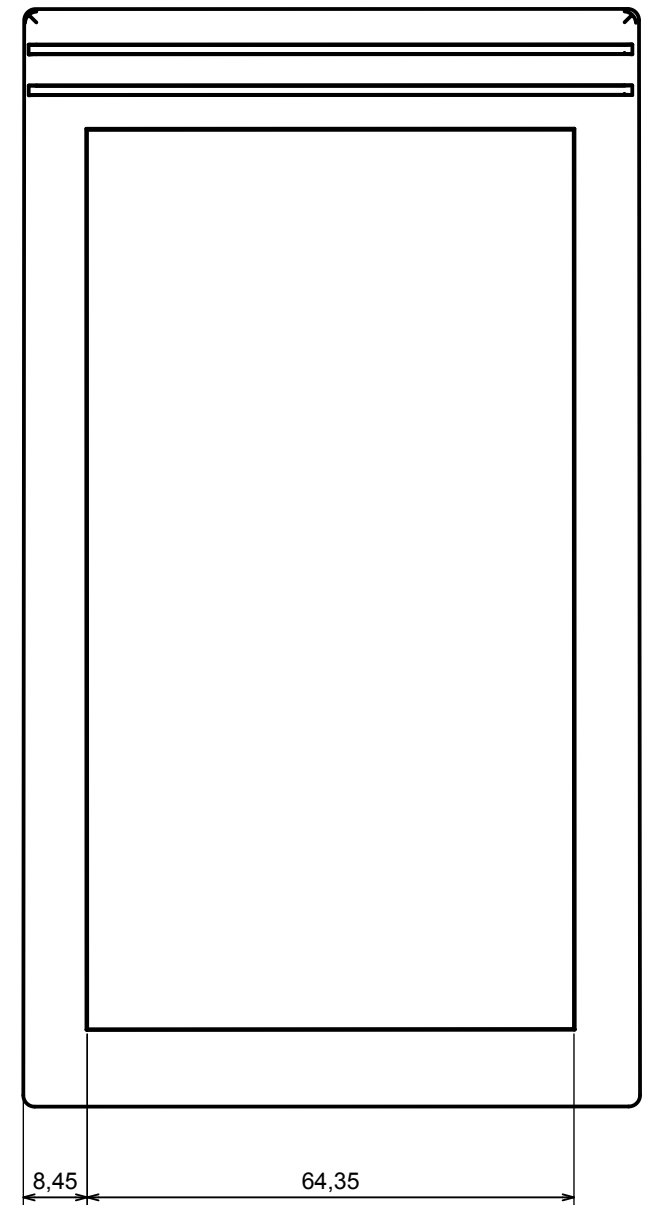
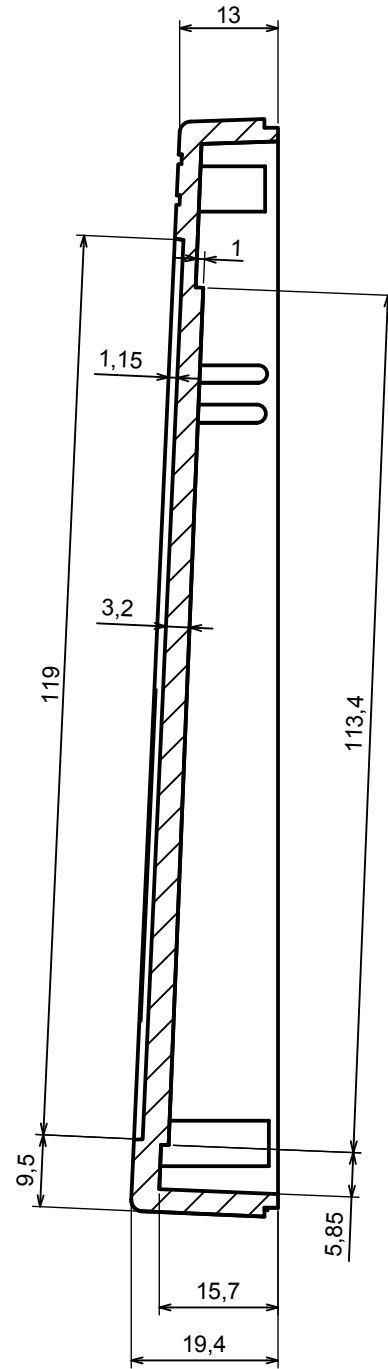
B-B



A



A-A



A

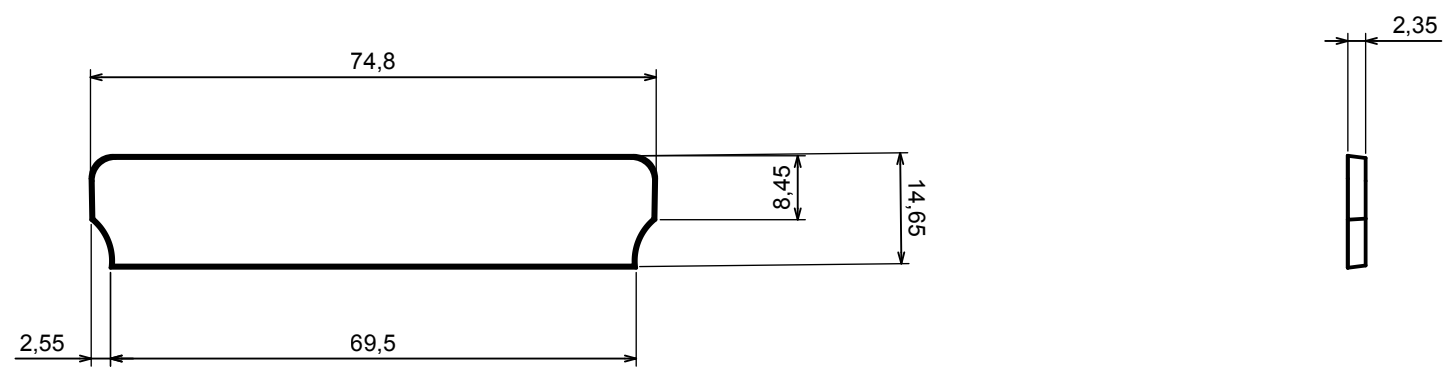
All rights reserved, Copyright Kradox 2016

Product model Enclosure Z48 - cover

Format: A3 Material: PS, ABS

Scale 1:1 Tolerance: +/- 0.8





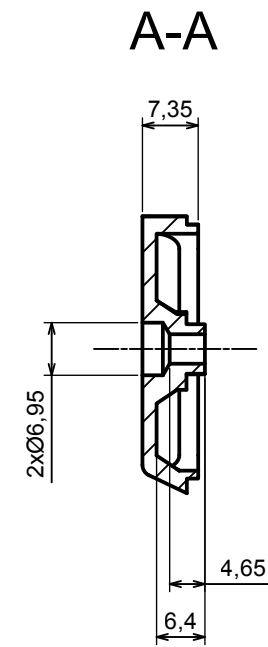
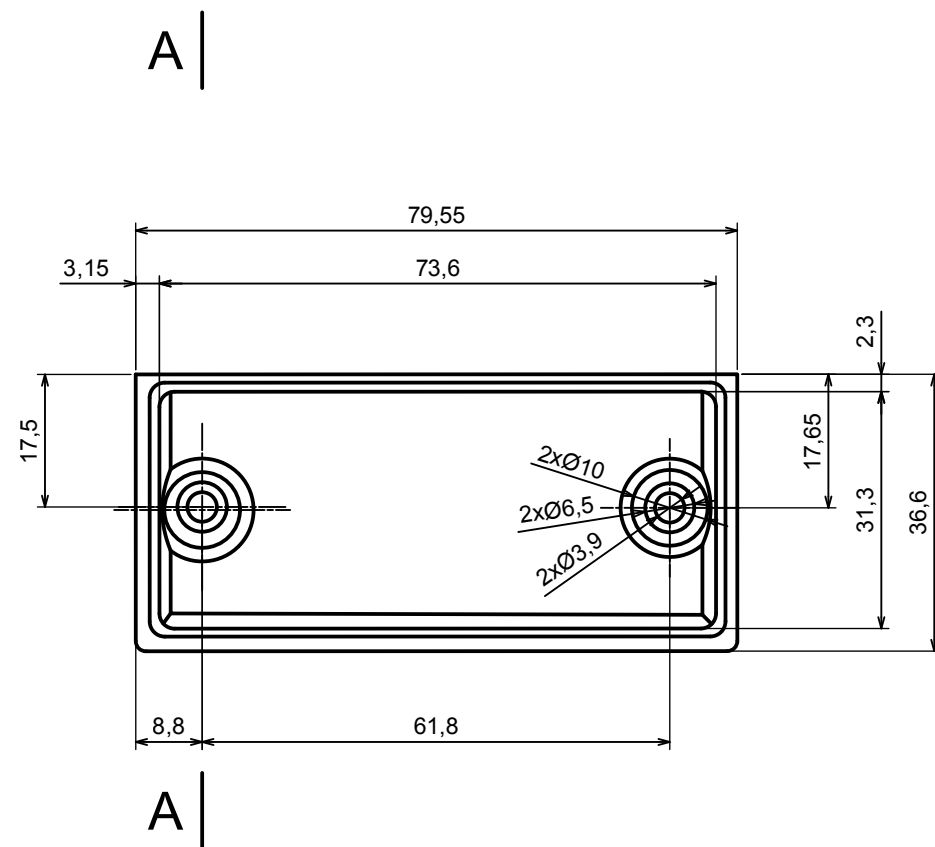
All rights reserved, Copyright Kradex 2016


Product model	Enclosure Z48 - board
---------------	-----------------------

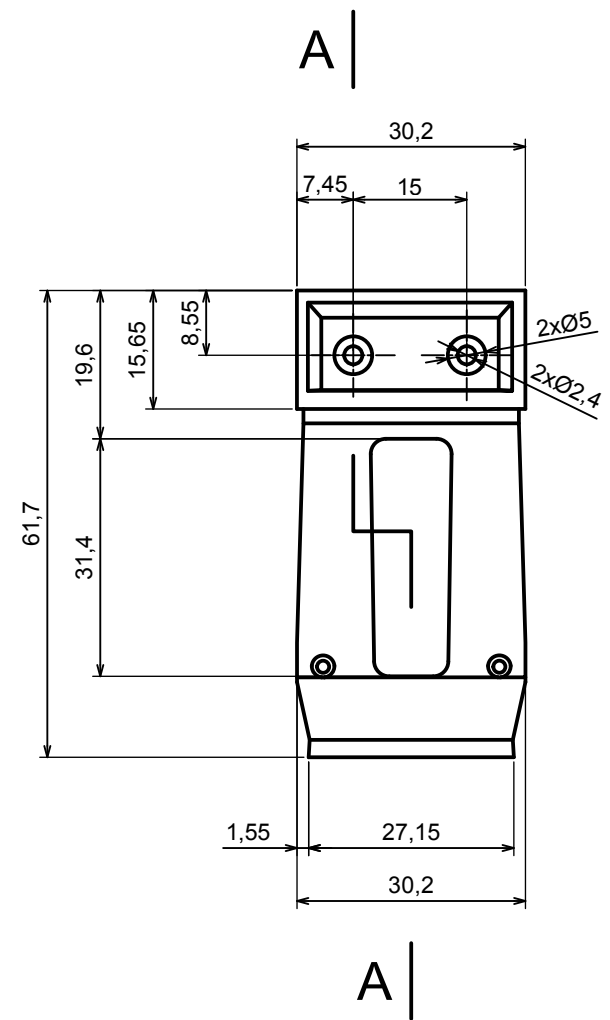
Format: A3	Material: PS, ABS
------------	-------------------

Scale 1:1	Tolerance: +/- 0.8
-----------	--------------------

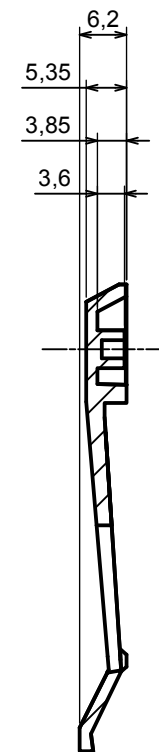





All rights reserved, Copyright Kradox 2016		
Product model	Enclosure Z48 - battery cover	
Format: A3	Material: PS, ABS	
Scale 1:1	Tolerance: +/- 0.8	



A-A



All rights reserved, Copyright Kradex 2016		
Product model	Enclosure Z48 - hook	
Format: A3	Material: PS, ABS	
Scale 1:1	Tolerance: +/- 0.8	