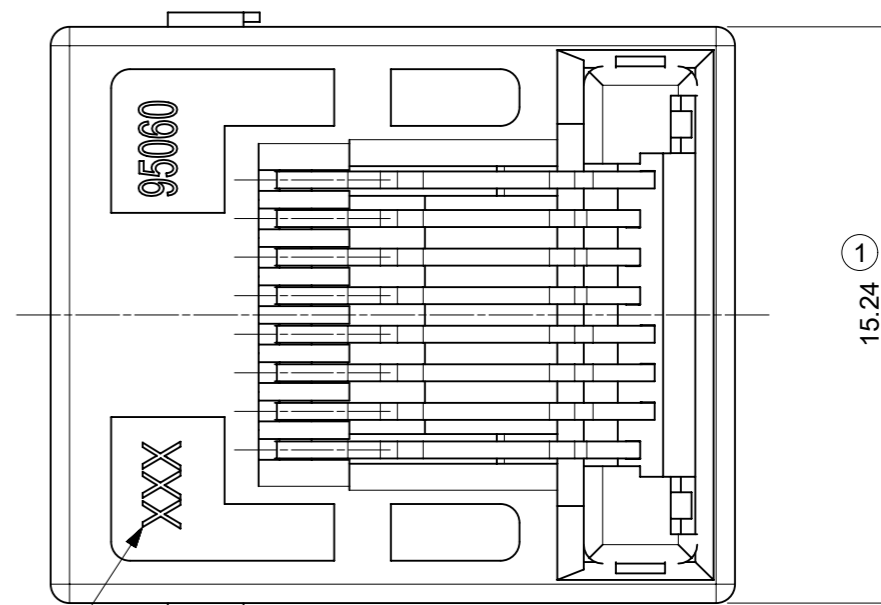
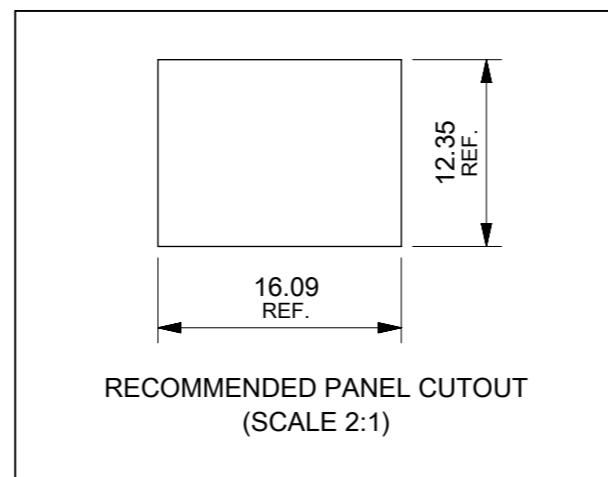


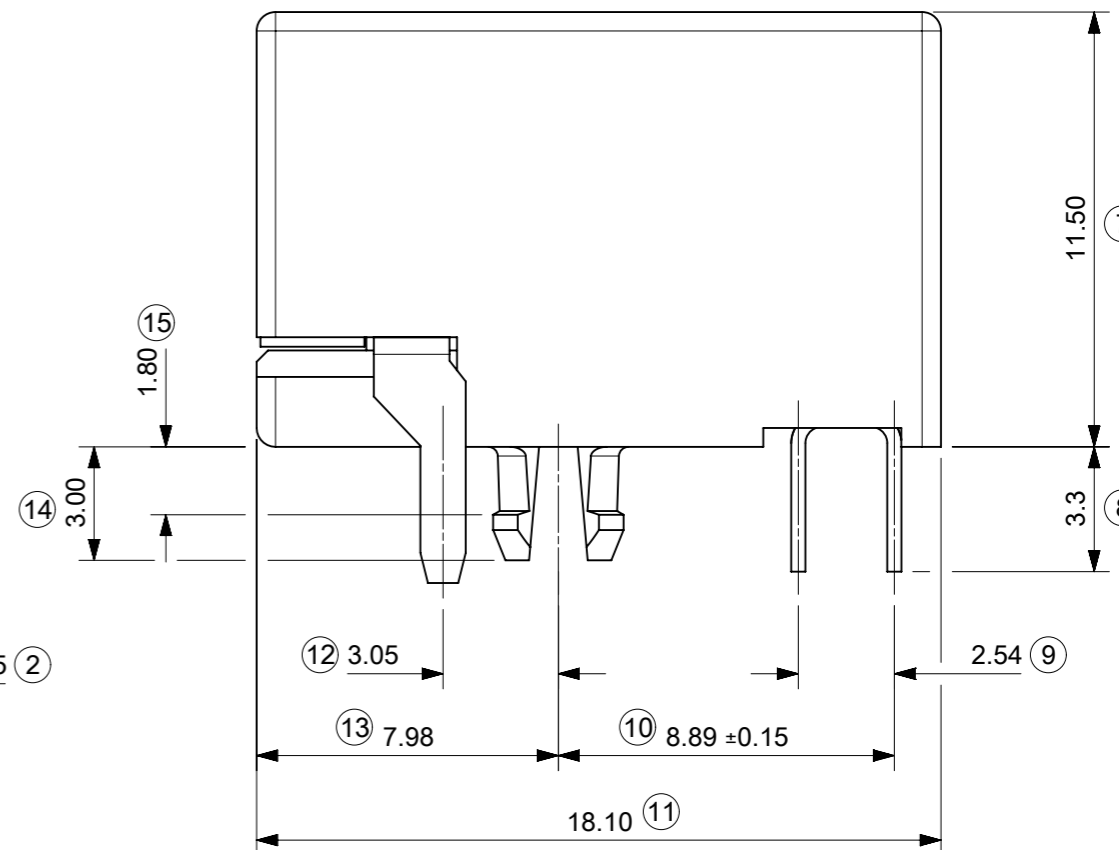
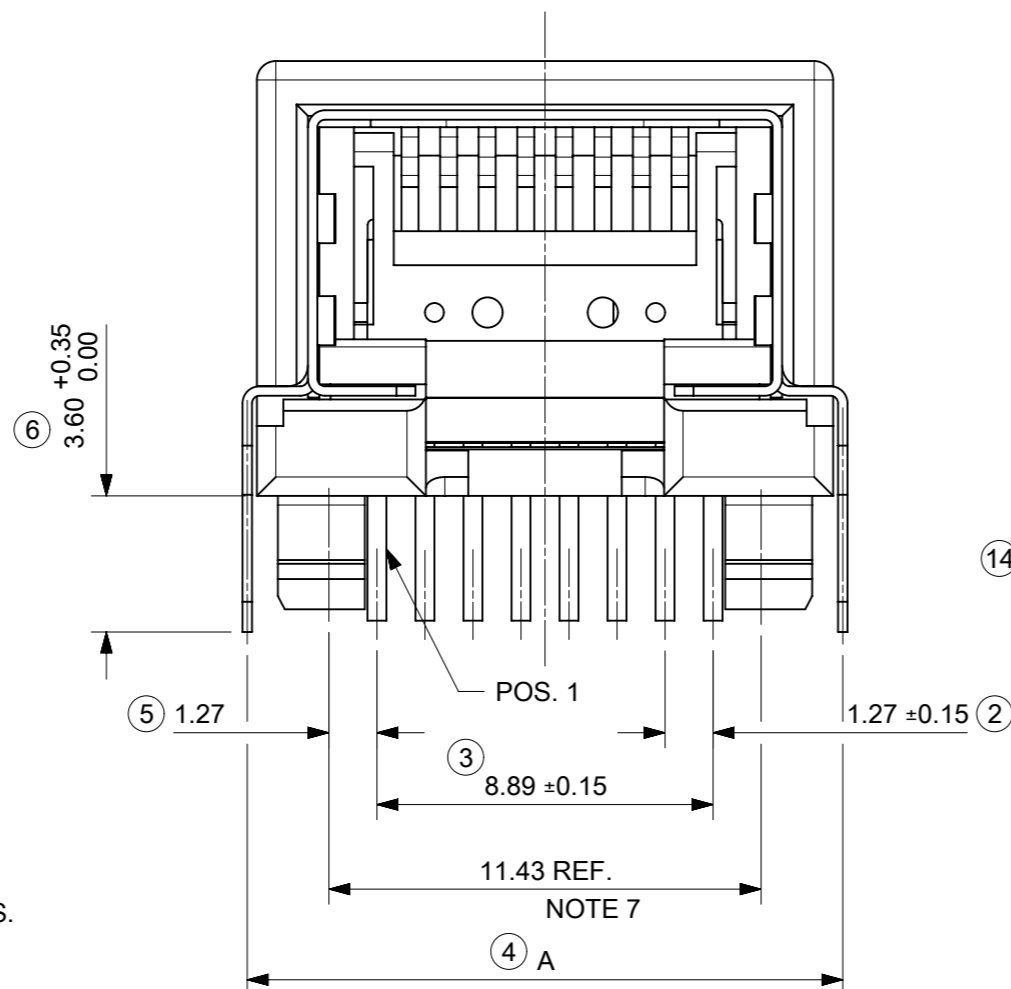
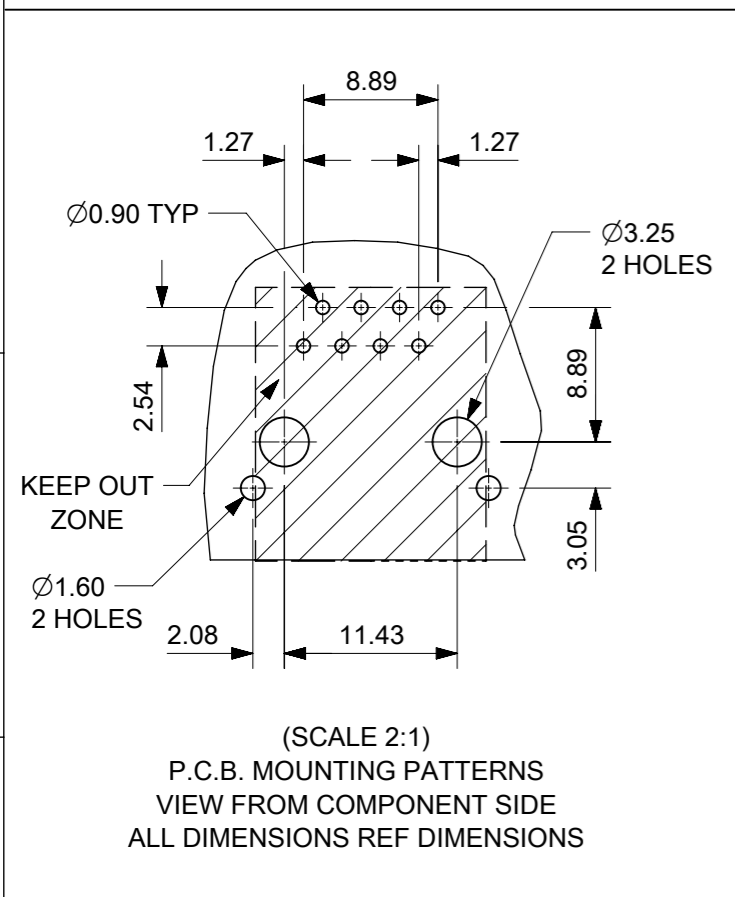
TECHNICAL SPECIFICATIONS:

1. **MATERIAL:**
 HOUSING: LCP GLASS FILLED UL 94-V0 COLOUR: BLACK
 TERMINAL: PHOSPHOR BRONZE PLATED WITH:
 BASE FINISH: NICKEL
 CONTACT SURFACE FINISH:
 GOLD
 OR
 GOLD FLASH OVER PALLADIUM NICKEL.
 EXCEEDS PRODUCT REQUIREMENTS BASED ON PS-85504-001
 SHIELD: BRASS PLATED WITH 0.0020 MIN TIN
2. **P.C. BOARD THICKNESS:** 1.57

PART NO.	DIM A
85504-5001	15.60



SEE NOTE 6



NOTES:

- JACK FOR MATING WITH IEC 60603-7 AND TIA-1096-A PLUGS. (95043 MOLEX SERIES).
- PRODUCT SPECIFICATION: MOLEX PS-85504-001
- APPLICATION SPECIFICATION: SEE AS-85513-001
- PACKAGING SPECIFICATION: MOLEX PK-95040.
- EXCEEDS CATEGORY 5E PERFORMANCE.
- MANUFACTURING I.D. MAY BE EITHER MG, MXF, MXI OR MXCH.
- TRUE CENTRE OF PEGS.

LAST INSPECTION NO.: 15

THIS DRAWING CONTAINS INFORMATION THAT IS PROPRIETARY TO MOLEX ELECTRONIC TECHNOLOGIES, LLC AND SHOULD NOT BE USED WITHOUT WRITTEN PERMISSION									
DIMENSION UNITS		SCALE		CURRENT REV DESC: REMASTERED USING 3D MODELS					
mm		5:1		<p>RIGHT ANGLE LOW PROFILE CATEGORY 5 SHIELDED PC JACK (THROUGH HOLE)</p> <p>PRODUCT CUSTOMER DRAWING</p>					
GENERAL TOLERANCES (UNLESS SPECIFIED)									
ANGULAR TOL ± 2.0°									
4 PLACES ±		EC NO: 686814							
3 PLACES ±		DRWN: AKUMAR19 2021/08/02							
2 PLACES ± 0.25		CHK'D: KLANG 2022/01/11							
1 PLACE ± 0.35		APPR: KLANG 2022/01/11							
0 PLACES ±		INITIAL REVISION:		DOCUMENT NUMBER		DOC TYPE		DOC PART	
DRAFT WHERE APPLICABLE MUST REMAIN WITHIN DIMENSIONS		THIRD ANGLE PROJECTION		DRAWING		SERIES		MATERIAL NUMBER	
		A3-SIZE		85504		SEE CHART		GENERAL MARKET	
				2007/01/22		SD-85504-501		PSD 001	
				2007/01/25				F2	
								1 OF 1	

DOCUMENT STATUS	P1	RELEASE DATE	2022/01/11	16:38:02
-----------------	----	--------------	------------	----------