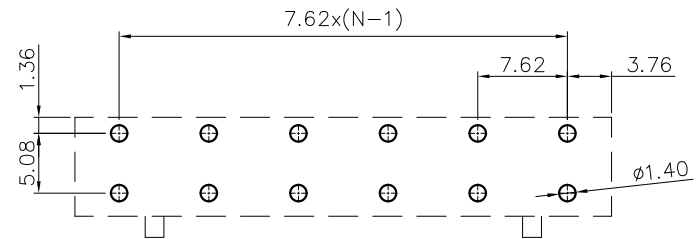
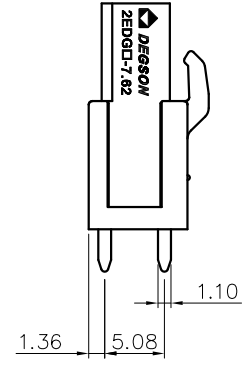
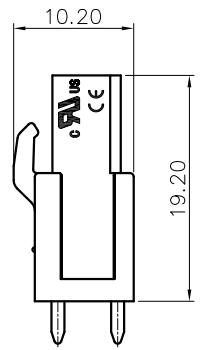
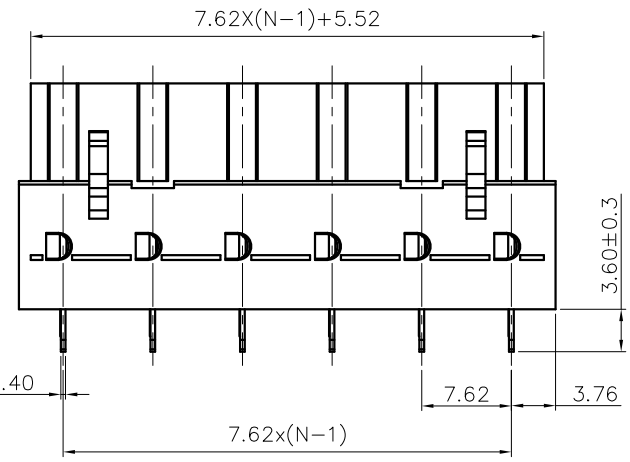
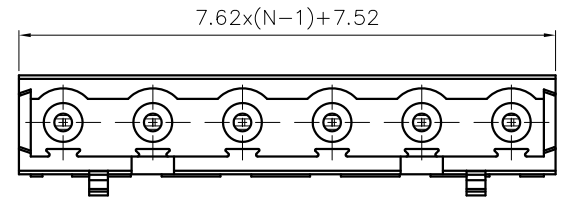
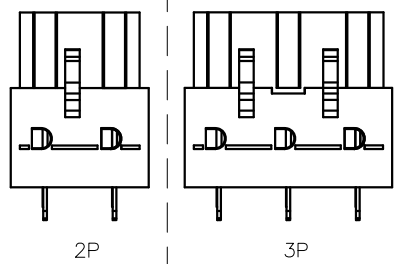


REVISION RECORD				
REV	ECN	DESCRIPTION	DRFT	DATE



NOTES1:

- UL Standard
 1. Rated voltage/current : 300V / 15A
 2. Withstanding voltage : AC1600V/1Min.

IEC Standard

1. Pollution degree	2	2	3
Overvoltage category	II	III	III
Rate impulse voltage(KV)	4.0KV	4.0KV	4.0KV
Rate voltage(V)	1000V	400V	400V
Rate current(A)	20A		

NOTES2:

1. Dimension shall be interpreted per ASME Y14.5-2009
 2. Pitch : 7.62mm, Poles : N=02~16P
 3. Operating temperature: -40°C~+105°C
 4. Undimensioned tolerances:

Pitch Range In mm		Nominal Dimension Range In mm					±	∩	∇
TO	Over	TO	Over	TO	Over	TO	Over		
6	10	10	24	30	60	100	150	0.1/10	
±0.15	±0.20	±0.30	±0.30	±0.50	±0.70	±1.00	±1.30	±2'	

5. RoHS Compliance

2EDGB - 7.62 - XXP - 1Y - 00A (H)
 (Series No.) (Pitch) (Poles) (Single Pitch) (Color): 1.(Grey)
 2.(Blue)
 3.(Black)
 4.(Green)
 5.(Orange)
 6.(Red)
 7.(Transparent)
 8.(Yellow)
 9.(White)

DETACHED LISTS	PART NO.:	宁波高松电子有限公司 NINGBO DEGSON ELECTRICAL CO., LTD			
	APPD:	NAME: 2EDGB-7.62-XXP-1Y-00A(H)			
	CHKD:	TITLE: CUSTOMER DRAWING		REV	DO
	DRFT:	DRAWING NO.:		SHEET	1/1
THIRD ANGLE PROJECTION		MM (INCH)	DO NOT SCALE DRAWING	SCALE	1:1

H
G
F
E
D
C
B
A

H
G
F
E
D
C
B
A