

## Data sheet

Commercial Art.No.: 96.052.4553.9

Connector RST20i5 S1 ZR3SV BL0

RST20i5 connector, 5 pole, male, screw connection, application 250/400V, 20A, for cable diameters 14-18mm, coding color light blue, color of housing black



Commercial Art.No.	96.052.4553.9
EAN	4015573983649
Order Unit	1

## Technical data

### General

Rated current	20 A
Rated voltage	250 V / 400 V
Rated impulse voltage	4 kV
strain relief	yes
Pollution degree	3
Lockable	self-locking (unlocking by tool)
Color of coding/ contact carrier	light blue
Marking of poles	1, 2, 3, 4, 5
Color of housing inclusive strain relief	black

### Connection Data

Cable diameter max.	18 mm
Cable diameter min.	13 mm
Connection cross section solid mm <sup>2</sup> max.	4 mm <sup>2</sup>
Connection cross section solid mm <sup>2</sup> min.	0.75 mm <sup>2</sup>
Connection cross section solid AWG min.	18 AWG
Connection cross section solid AWG max.	14 AWG
Connection cross section fine stranded mm <sup>2</sup> max.	4 mm <sup>2</sup>
Connection cross section fine stranded mm <sup>2</sup> min.	0.75 mm <sup>2</sup>
Terminations per pole	1
Connection cross section stranded mm <sup>2</sup> min.	0.75 mm <sup>2</sup>
Connection cross section stranded mm <sup>2</sup> max.	4 mm <sup>2</sup>
Connection cross section stranded AWG min.	18 AWG
Connection cross section stranded AWG max.	14 AWG
sheath strip length	37 mm
Wire strip length	8 mm

### Model

Model	male
-------	------

Connection type	screw connection
Degree of protection (IP)	IP66/68 (3m;2h) /IP69

#### Material

Housing material	Polyamide
halogen free	yes
Contact material	CuZn
Fire load	0.361 kWh
Insulation components continuous temperature	100 °C
Surface finish	Silver-plated

#### Dimensions

Length	94.6 mm
Width	35.4 mm
Height	35.4 mm

#### Classification

ECLASS 11	
ECLASS 8.1	27440605
ETIM 7.0	EC002560
ETIM 6.0	EC002560
ETIM 5.0	EC002560
ETIM 4.0	EC002560

#### Note

Note	RST® terminals with screw clamping allow the connection of conductors without special preparation (without ferrules) according to EN 60999-1.
------	---

#### Product compliance

ROHS conformity status	Compliant/Exempted
ROHS exceptions	III-6(c)
REACH-SVHC conformity status	Duty-To-Declare
REACH-SVHC substances	Lead
REACH-SVHC CAS numbers	7439-92-1

#### Accessories

Commercial Art.No.:	Article-type description:	Description:
05.565.9953.1	Cover for male connector SW	RST20i5/4 cover piece, for covering unused male connectors, color black
99.532.0000.7	Cover for male connector SW	RST20i5/4 cover piece, for covering unused male connectors, with fastening belt, color black

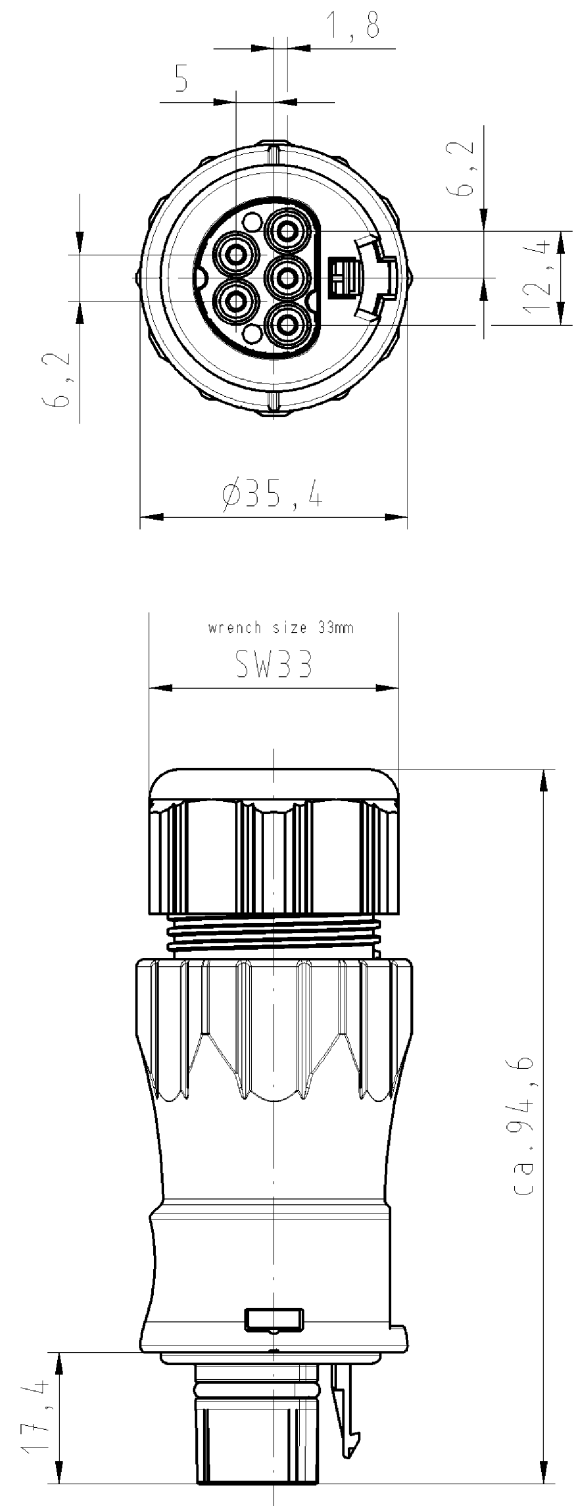
#### Fits with

Commercial Art.No.:	Article-type description:	Description:
96.051.4553.9	Connector RST20i5S B1 ZR3S BL0	RST20i5 connector, 5 pole, female, screw connection, application 250/400V, 20A, for cable diameters 14-18mm, coding color light blue, color of housing black

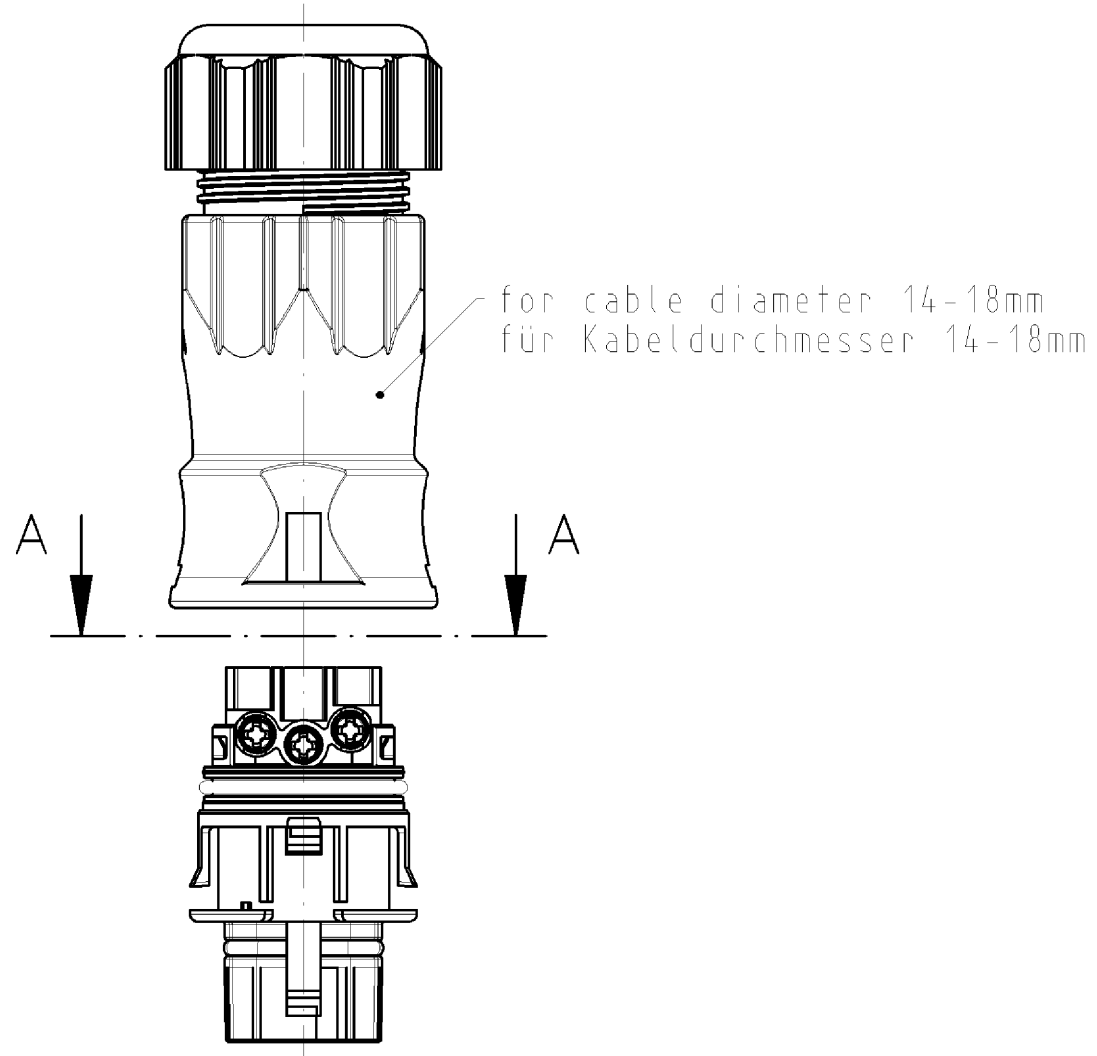
96.051.5053.9	Device connector RST20I5S B1 M01 BL0	RST20i5 device connector M25, 5 pole, female, screw connection, application 250/400V, 20A, coding color light blue
96.051.6153.9	Device connector RST20I5S B1 M03 BL0	RST20i5 device connector M16, 5 pole, female, screw connection, modular, application 250/400V, 20A, coding color light blue, color of housing black
96.051.6053.9	Device connector RST20I5S B1 M00 BL0	RST20i5 device connector M20, 5 pole, female, screw connection, modular, application 250/400V, 20A, coding color light blue, color of housing black
96.053.6053.9	Device connector RST20I5S B1 M90 BL0	RST20i5 device connector (90° angled) M20, 5 pole, female, screw connection, modular, application 250/400V, 20A, coding color light blue, color of housing black
96.053.6253.9	Device connector RST20I5S B1 M91 BL0	RST20i5 device connector (90° angled) M25, 5 pole, female, screw connection, modular, application 250/400V, 20A, coding color light blue, color of housing black
96.050.0153.9	Distributor RST20I5B 3P1 F VG BL07	RST20i5 compact distribution unit, 5 pole, application 250/400V, 20A, 1 input and 3 outputs, with fastening option, coding color light blue, color of housing light blue

These dimensions will be especially checked at delivery  
 Only inspection dimensions  
 With /E marked dimensions are only valid for internal use

Diese Maße werden bei Abnahme besonders geprüft  
 Ausschließlich Prüfmaße  
 Mit /E gekennzeichnete Maße sind nur für interne Zwecke gültig

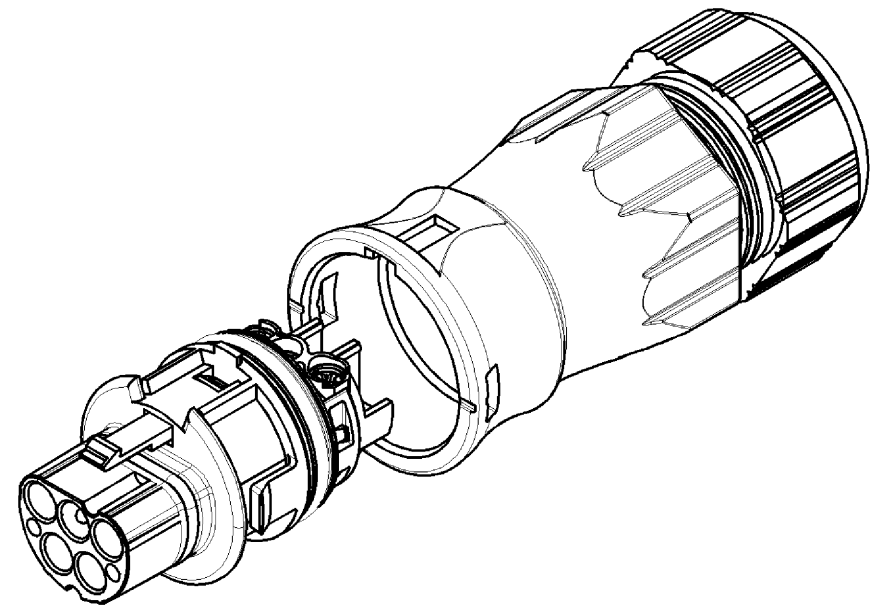
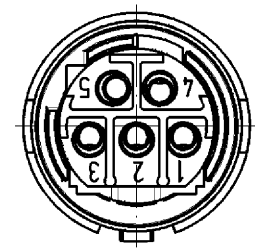


### Auslieferungszustand delivery status



Verpackungseinheit: je 100 Stück  
 packing unit: per 100

A-A



Weitergabe sowie Vervielfältigung dieses Dokuments, Verwertung und Mitteilung seines Inhalts sind verboten, soweit nicht ausdrücklich gestattet. Die Reproduktion, Distribution und Nutzung dieses Dokuments sowie die Kommunikation der Inhalte mit anderen ohne ausdrückliche Genehmigung ist untersagt.

Tolerierung nach DIN 7167/Tolerance system acc. to DIN 7167. (This DIN-standard describes the envelope principle. According to the envelope principle the deviations of form and parallelism are limited by the size tolerances).		ja/yes <input checked="" type="checkbox"/> Stoffverbots- und Deklarationsliste nach UU-TQM-05/03 ist einzuhalten. Conformity with Wieland document UU-TQM-05/03 (list of prohibited / declarable hazardous substances) to be declared!	
Freitoleranz nach General tolerance		CAD - Zeichnung, keine manuellen Änderungen CAD - drawing, no manual modifications allowed	1. Verwendung: - First Use:
Blatt: 1 von 1 Sheet: 1 of 1		Zeichnung Nr./Drawing No. Index	
/ Werkstoff/Material		2007 Tag/Date Name	T 96.052.4553.9 01K
/ Maßstab/Scale		gezeichnet/drawn 03.09. Hollet	
/ 1:1		geprüft/checked - -	Maße in mm/Dimensions are in mm
/ Vol. mm³ Ofl./Surf. mm²		Normgepr. Stand. check - -	
/ Ersatz für/Replacement for: -		Type Benennung/Title	
/		Type Benennung/Title	
/		Type Benennung/Title	
Index Datum / Blatt Date / Sheet		Type Benennung/Title	
Änderung/Revision		Type Benennung/Title	

Teile-Nr./ part-nr.	Farbe:/ color:	Type
96.052.4553.9	lichtblau, ähnl. RAL 5012/ lightblue, similar to RAL 5012	RST2015S S1 ZR3S BL04