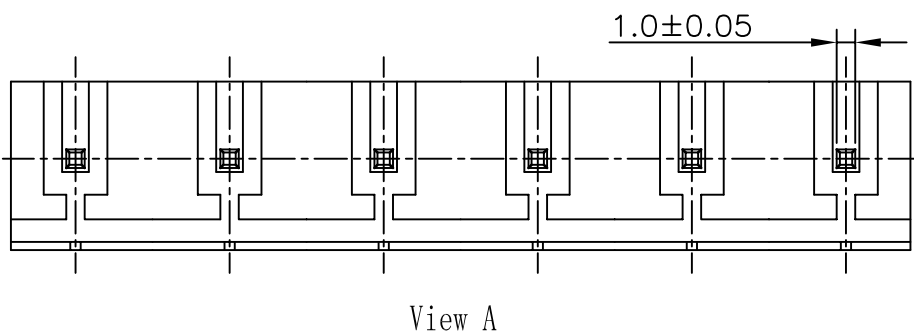
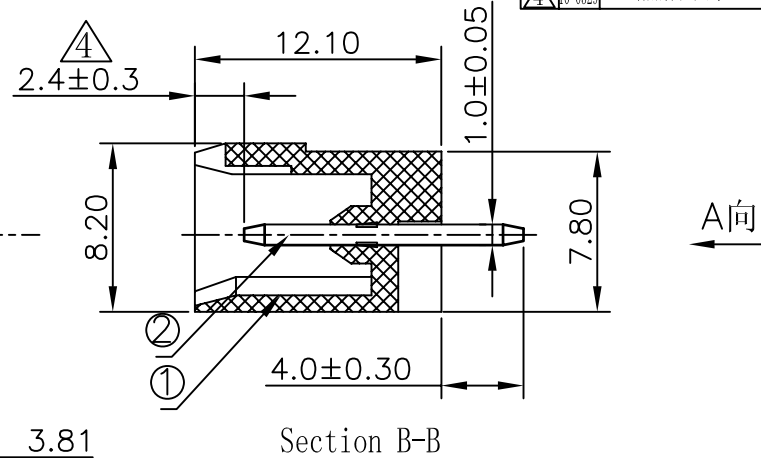
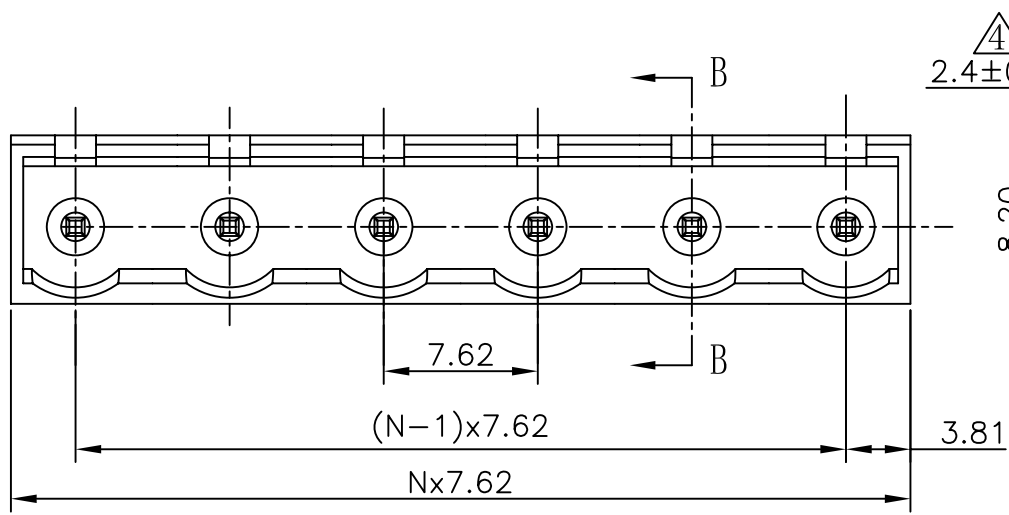
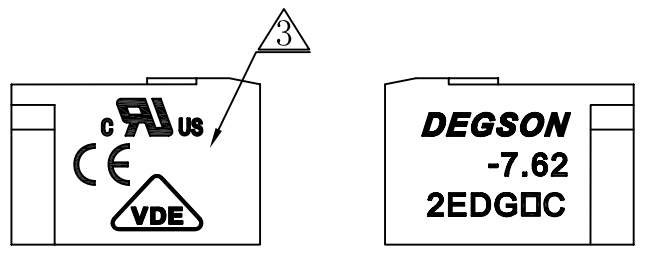


REVISION RECORD				
REV	ECO	DESCRIPTION	DRFT	DATE
1		图面更新	C SX	04/25/06
2		将1007B00010改为1007B00030	Hang	05/24/06
3		增加VDE、CE认证标志	CSX	12/14/07
4	0-0329	增加标注尺寸	COCO	10/08/10



- Notes:
1. Pitch: 7.62mm, poles:2-12p
  2. Rated voltage: 300V
  3. Rated current: 15A
  4. Withstanding voltage: AC2000V/1min
  5. Insulation resistance: 5000MΩ/DC1000V
  6. Temp. Range: -40° C~+105° C
  7. Undimensioned Tolerances:

Pitch range in mm		Nominal dimension range in mm					
to 6	over 6 to 10	to 24	to 30	over 30 to 60	over 60 to 100	over 100 to 150	∩
±0.10	±0.15	±0.25	±0.2	±0.3	±0.5	±0.7	∇



2	2EDGV Pin header	1007B00030 (H)	XX	Brass	SnCe
1	2EDGVC-7.62 Housing	1023A0YXXA (H)	1	PA66	UL94V-0
ITEM	NAME OF PART	NO. OF PART	Q'TY	MATERIAL	NOTES
DETACHED LISTS	MM (INCH)	DFTO HA0YH	DATE 04/12/04	宁波高正电子有限公司 DEGSON ELECTRONICS CO., LTD NAME: 2EDGVC-7.62-XXP-1Y-00A(H) DRAWING NO. 2EDGVC-7.62-E03 /PART NO. SIZE A3 REV T4 10/08/10	
	TOLERANCES EXCEPT AS NOTED		CHKD DATE		
			MFO DATE		
			APPVL DATE		
			MATERIAL :		
ANGLES ± 1°		G.E :		DO NOT SCALE DRAWING	
THIRD ANGLE PROJECTION		FINISH :		SHEET 1 OF 1	
		SCALE : 1:1			