



ISO9001 & ISO14001 & TS16949 **CHILISIN ELECTRONICS CORP.**

Lead-Free & RoHs Compliance!!

SPECIFICATION FOR APPROVAL

CUSTOMER : _____

CUSTOMER P/N : _____

OUR DWG No : _____

QUANTITY : 0 Pcs. **DATE :** 2013/03/07

ITEM : CLH1608T-S Series

SPECIFICATION ACCEPTED BY:	
COMPONENT ENGINEER	
ELECTRICAL ENGINEER	
MECHANICAL ENGINEER	
APPROVED	
REJECTED	

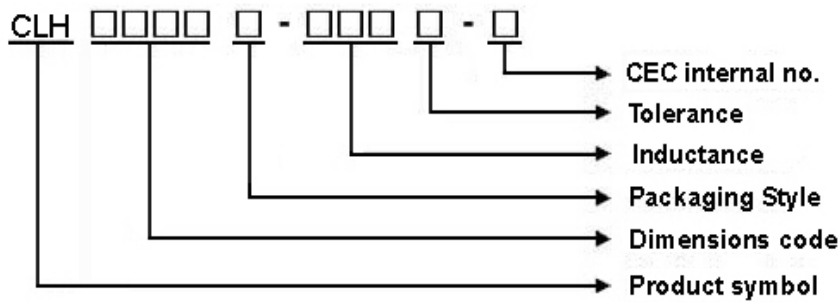
<p>奇力新電子股份有限公司 CHILISIN ELECTRONICS CORP. NO.29,LANE 301,TEHHSIN ROAD,HUKOU, HSINCHU,TAIWAN,303, REPUBLIC OF CHINA TEL : (03) 599-2646 FAX : (03) 599-9176 E-mail : Sales@chilisin.com.tw http : //www.chilisin.com.tw</p> <p>台北營業處 Taipei Office 1F., No.2, Aly. 1, Ln. 235, Baoqiao Rd., Xindian Dist., New Taipei City 231, Taiwan TEL : +886-2-6629-5588~9 FAX : +886-2-6629-0088 E-mail : Sales@chilisin.com.tw</p>	<p>東莞奇力新電子有限公司 Chilisin Electronics (Dongguan) Co., Ltd. No. 78, Puxing Rd., Yuliangwei Administration Area, Qingxi Town, Dongguan City, Guangdong,China TEL : +86-769-8773-0251~3 FAX : +86-769-8773-0232 E-mail : cect@chilisin.com.tw</p> <p>奇力新電子(蘇州)有限公司 Chilisin Electronics (Suzhou) Co., Ltd. No.143,Song Shan Rd., Suzhou New District, Suzhou,China Postal Code:215129 TEL:+86-512-6841-2350 FAX:+86-512-6841-2356 E-mail : suzhou@chilisin.com.tw</p>
---	---

DRAWN BY 陳瑞揚 ryan.chen	CHECKED BY 張麗玲 ll.chang	APPROVED BY 陳瑞揚 ryan.chen
---	--	--

CLH1608T Series Specification

1 Scope: This specification applies to Multilayer ceramic chip inductors

2 Part Numbering: Product Identification



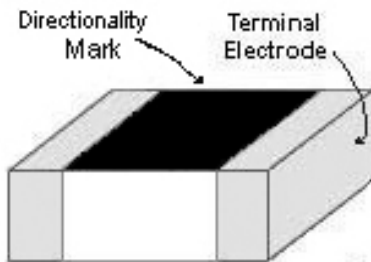
3 Rating:

Operating Temperature: $-5.5^{\circ}\text{C} \sim 125^{\circ}\text{C}$ (Including self - temperature rise)

Storage Temperature: $-5.5^{\circ}\text{C} \sim 125^{\circ}\text{C}$ (after PCB)

$-5^{\circ}\text{C} \sim 40^{\circ}\text{C}$, Humidity 40%~70% (before PCB)

4 Marking:

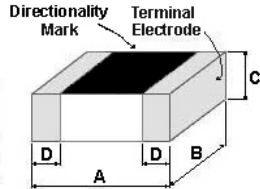


5 Standard Testing Condition

	Unless otherwise specified	In case of doubt
Temperature	Ordinary Temperature(15 to 35°C)	20±2°C
Humidity	Ordinary Humidity(25 to 85% RH)	60 to 70 % RH

CLH1608T Series Specification

6 Configuration and Dimensions:



Dimensions in mm

TYPE	CLH1608
A	1.6±0.15
B	0.8±0.15
C	0.8±0.15
D	0.3±0.20

7 ELECTRICAL CHARACTERISTICS :

Part No.	Inductance (nH)	L,Q Test Freq.	Q Min.	SRF (MHz)Typ.	RDC (Ω)Max.	IDC (mA)Max.	Tolerance
CLH1608T-1N0□-S	1	100 MHz,200 mV	8	10000	0.1	600	S
CLH1608T-1N2□-S	1.2	100 MHz,200 mV	8	10000	0.1	600	S
CLH1608T-1N5□-S	1.5	100 MHz,200 mV	8	8000	0.1	600	S
CLH1608T-1N6□-S	1.6	100 MHz,200 mV	8	8000	0.1	600	C,S
CLH1608T-1N7□-S	1.7	100 MHz,200 mV	8	8000	0.1	600	C,S
CLH1608T-1N8□-S	1.8	100 MHz,200 mV	8	8000	0.1	600	S
CLH1608T-2N2□-S	2.2	100 MHz,200 mV	8	7200	0.1	600	S
CLH1608T-2N5□-S	2.5	100 MHz,200 mV	8	6200	0.1	600	C,S
CLH1608T-2N7□-S	2.7	100 MHz,200 mV	10	6200	0.1	600	S
CLH1608T-3N3□-S	3.3	100 MHz,200 mV	10	5200	0.12	600	S,K
CLH1608T-3N9□-S	3.9	100 MHz,200 mV	10	5000	0.14	600	S,K
CLH1608T-4N3□-S	4.3	100 MHz,200 mV	10	4750	0.16	600	S,K
CLH1608T-4N7□-S	4.7	100 MHz,200 mV	10	4750	0.16	600	S,K
CLH1608T-5N1□-S	5.1	100 MHz,200 mV	10	4100	0.18	600	S,K
CLH1608T-5N4□-S	5.4	100 MHz,200 mV	8	4100	0.18	600	C,S
CLH1608T-5N6□-S	5.6	100 MHz,200 mV	10	4100	0.18	600	S,K
CLH1608T-6N2□-S	6.2	100 MHz,200 mV	10	3750	0.22	600	J,K
CLH1608T-6N8□-S	6.8	100 MHz,200 mV	10	3750	0.22	600	J,K
CLH1608T-7N5□-S	7.5	100 MHz,200 mV	10	3300	0.24	600	J,K
CLH1608T-8N2□-S	8.2	100 MHz,200 mV	10	3300	0.24	600	J,K
CLH1608T-10N□-S	10	100 MHz,200 mV	12	3000	0.26	600	J,K
CLH1608T-11N5□-S	11.5	100 MHz,200 mV	8	2800	0.3	1000	J,K
CLH1608T-12N□-S	12	100 MHz,200 mV	12	2600	0.28	600	J,K
CLH1608T-15N□-S	15	100 MHz,200 mV	12	2500	0.32	600	J,K
CLH1608T-16N□-S	16	100 MHz,200 mV	12	2400	0.35	600	J,K

NOTE: □-tolerance J=±5% / K=±10% / C=±0.2nH / S=±0.3nH

1.Operating temperature range – 5 5℃ ~ 1 2 5℃(Including self - temperature rise)

2.IDC:Applied the current to coils, the inductance shall be less than 10% initial value.



ISO9001 & ISO14001 & TS16949 CHILISIN ELECTRONICS CORP.

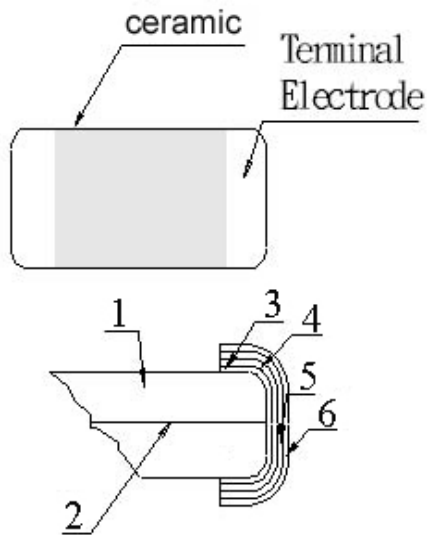
CLH1608T Series Specification

Part No.	Inductance (nH)	L,Q Test Freq.	Q Min.	SRF (MHz)Typ.	RDC (Ω)Max.	IDC (mA)Max.	Tolerance
CLH1608T-18N□-S	18	100 MHz,200 mV	12	2400	0.35	600	J,K
CLH1608T-22N□-S	22	100 MHz,200 mV	12	2000	0.4	500	J,K
CLH1608T-27N□-S	27	100 MHz,200 mV	12	1900	0.45	500	J,K
CLH1608T-33N□-S	33	100 MHz,200 mV	12	1600	0.55	400	J,K
CLH1608T-36N□-S	36	100 MHz,200 mV	12	1400	0.6	400	J,K
CLH1608T-39N□-S	39	100 MHz,200 mV	12	1400	0.6	400	J,K
CLH1608T-47N□-S	47	100 MHz,200 mV	12	1300	0.7	400	J,K
CLH1608T-56N□-S	56	100 MHz,200 mV	12	1100	0.75	400	J,K
CLH1608T-62N□-S	62	100 MHz,200 mV	12	1050	0.85	400	J,K
CLH1608T-68N□-S	68	100 MHz,200 mV	12	1050	0.85	400	J,K
CLH1608T-75N□-S	75	100 MHz,200 mV	12	900	1	300	J,K
CLH1608T-82N□-S	82	100 MHz,200 mV	12	900	1	300	J,K
CLH1608T-R10□-S	100	100 MHz,200 mV	12	770	1.2	300	J,K
CLH1608T-R12□-S	120	50 MHz,200 mV	8	650	1.3	300	J,K
CLH1608T-R15□-S	150	50 MHz,200 mV	8	550	1.7	250	J,K
CLH1608T-R18□-S	180	50 MHz,200 mV	8	520	1.9	250	J,K
CLH1608T-R22□-S	220	50 MHz,200 mV	8	500	2	250	J,K
CLH1608T-R27□-S	270	50 MHz,200 mV	8	470	2.2	150	J,K
CLH1608T-R33□-S	330	50 MHz,200 mV	8	320	2.8	100	J,K
CLH1608T-R39□-S	390	50 MHz,200 mV	8	300	3	100	J,K

CLH1608T Series Specification

8 CLH1608T Series

8.1 Construction:



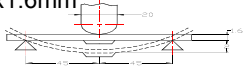
8.2 Material List:

NO	PART	MATERIAL
1	Main Substance	Al ₂ O ₃ -B ₂ O ₃ -SiO ₂
2	Silver electrode	Ag
3	Silver electrode	Ag
4	Cu plating	Cu
5	Ni plating	Ni
6	Sn plating	Sn

CLH1608T Series Specification

9 Reliability Of Ceramic Multilayer Chip Inductor For High Freq.

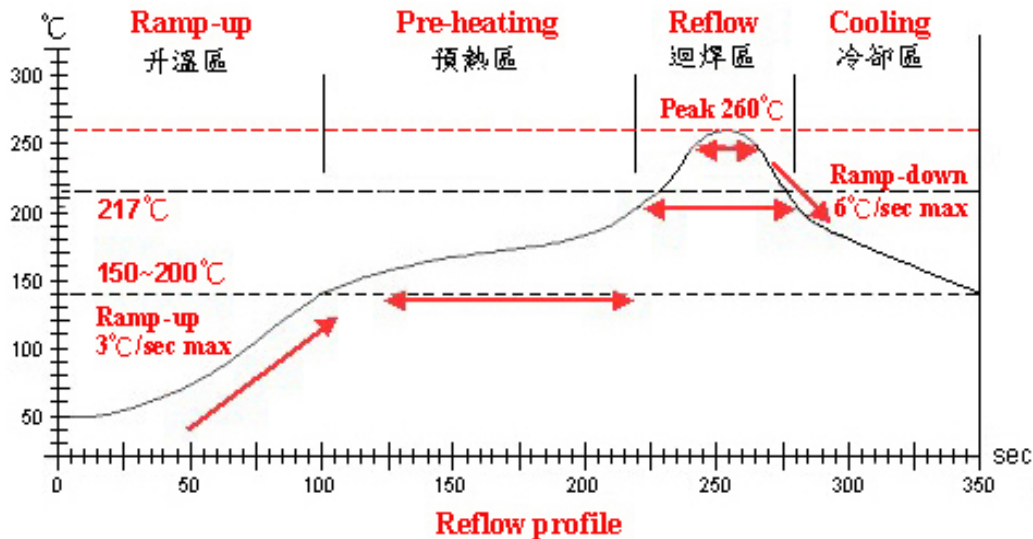
1-1.Mechanical Performance

No	Item	Specification	Test Method
1-1-1	Flexure Strength	The forces applied on the right conditions must not damage the terminal electrode and the ferrite	Test device shall be soldered on the substrate Substrate Dimension: 100x40x1.6mm Deflection: 2.0mm Keeping Time: 30sec *For 100505, substrate dimension is 100x40x0.8mm 
1-1-2	Vibration		
1-1-3	Resistance to Soldering Heat	Appearance: No damage	Pre-heating: 150°C, 1min Solder Composition: Sn/Ag3.0/Cu0.5(Pb-Free) Solder Temperature: 260±5°C Immersion Time: 10±1sec
1-1-4	Solder ability	The electrodes shall be at least 95% covered with new solder coating	Pre-heating: 150°C, 1min Solder Composition: Sn/Ag3.0/Cu0.5(Pb-Free) Solder Temperature: 245±5°C (Pb-Free) Immersion Time: 4±1sec

1-2.Environmental Performance

No	Item	Specification	Test Method		
1-2-1	Temperature Cycle	Appearance: No damage Inductance: within±10% of initial value Q change: within±30% of initial value	One cycle:		
			Step	Temperature (°C)	Time (min)
			1	-55±3	30
			2	25±2	3
			3	125±3	30
4	25±2	3			
			Total: 100cycles		
			Measured after exposure in the room condition for 24hrs		
1-2-2	Humidity Resistance		Temperature: 40±2°C Relative Humidity: 90 ~ 95% Time: 1000hrs Measured after exposure in the room condition for 24hrs		
1-2-3	High Temperature Resistance		Temperature: 125±3°C Relative Humidity: 20% Applied Current: Rated Current / Time: 1000hrs Measured after exposure in the room condition for 24hrs		
1-2-4	Low Temperature Resistance		Temperature: -55±3°C Relative Humidity: 0% / Time: 1000hrs Measured after exposure in the room condition for 24hrs		

CLH1608T Series Specification



Lead-Free(LF) 標準溫度分析範圍

Refer to J-STD-020C

管制項目 Item.	升温區 Ramp-up	預熱區 Pre-heating	迴焊區 Reflow	Peak Temp	冷卻區 Cooling
溫度範圍 Temp.scope	R.T. ~ 150°C	150°C ~ 200°C	217°C	260±5°C	Peak Temp. ~ 150°C
標準時間 Time spec.	—	60 ~ 180 sec	60 ~ 150sec	20 ~ 40 sec	—
實際時間 Time result	—	75 ~ 100 sec	90 ~ 120sec	20 ~ 35 sec	—

NOTE :

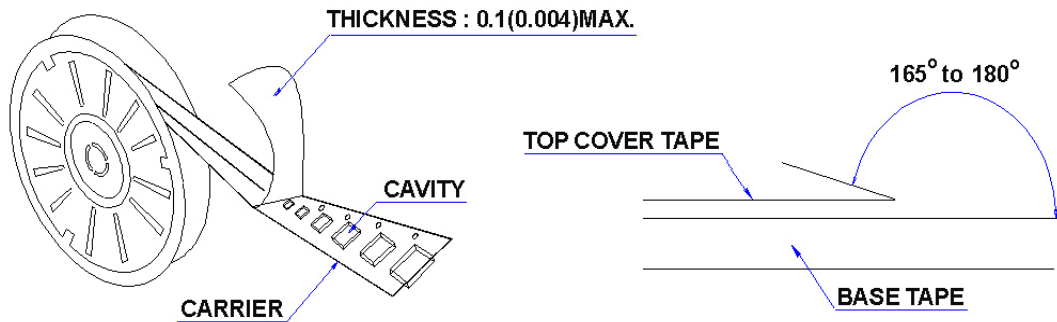
1. Re-flow possible times : within 2 times
2. Nitrogen adopted is recommended while in re-flow

CLH1608T Series Specification

11 PACKAGING

11.1 Packaging -Cover tape

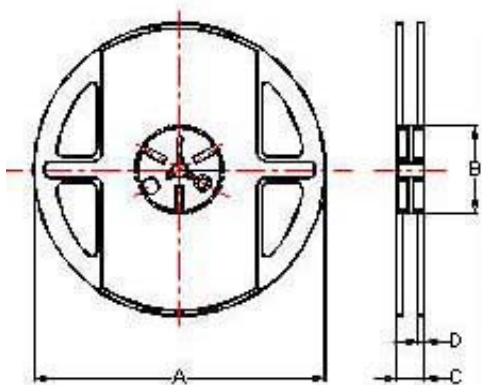
The force for tearing off cover tape is 10 to 100 grams in the arrow direction.



11.2 Packaging Quantity

TYPE	BULK	PCS/REEL
CLH1005	✓	10000
CLH1608	✓	4000
CLH2012(09)	✓	4000
CLH2012(12)	✓	3000

11.3 Reel Dimensions



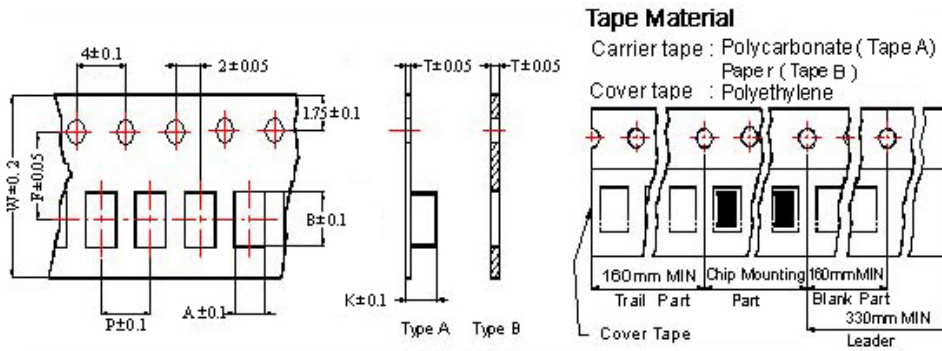
Reel Dimensions : m/m

TYPE	A	B	C	D
CLH1005	178	60	12	1.5
CLH1608	178	60	12	1.5
CLH2012(09)	178	60	12	1.5
CLH2012(12)	178	60	12	1.5

CLH1608T Series Specification

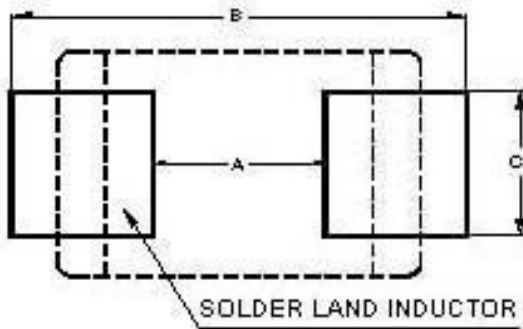
11 PACKAGING

11.4 Tape Dimensions in mm



TYPE	A	B	T	W	P	F	K	Tape Typ.
CLH1005	0.65	1.12	0.60	8	2	3.5		B
CLH1608	1.00	1.80	0.95	8	4	3.5		B
CLH2012(09)	1.58	2.42	0.95	8	4	3.5		B
CLH2012(12)	1.35	2.25	0.22	8	4	3.5	1.35	A

12 Recommended Pattern



Dimensions in mm

TYPE	A	B	C
CLH1005	0.4	1.2 ~ 1.4	0.5
CLH1608	0.7 ~ 0.8	1.8 ~ 2.0	0.6 ~ 0.8
CLH2012(09)	1.0 ~ 1.2	2.6 ~ 4.0	1.0 ~ 1.2
CLH2012(12)	1.0 ~ 1.2	2.6 ~ 4.0	1.0 ~ 1.2

13 Note:

1. Please make sure that your product is has been evaluated and confirmed against your specifications when our product is mounted to your product.
2. Do not knock nor drop.
3. All the items and parameters in this product specification have been prescribed on the premise that our product is used for the purpose, under the condition and in the environment agreed upon between you and us. You are requested not to use our product deviating from such agreement.