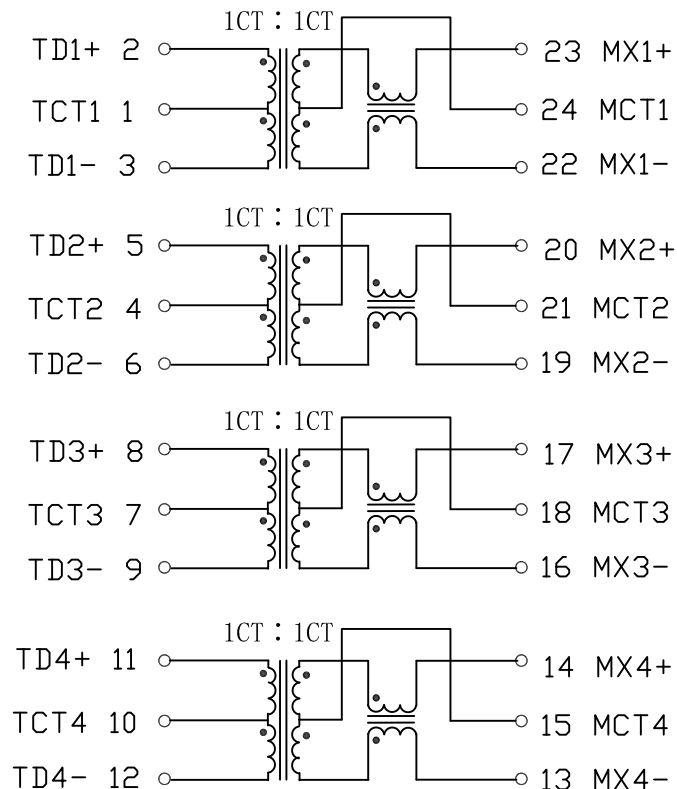


Schematic:

REV.	ECN NO.	DESCRIPTION	DATE	APPD
P	REL		2015/07/17	



Electrical Specifications @25°C

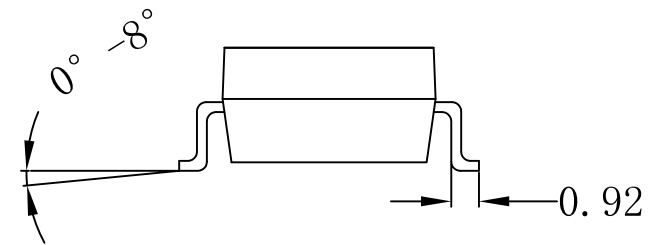
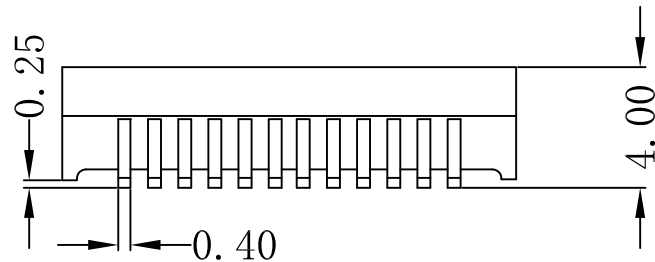
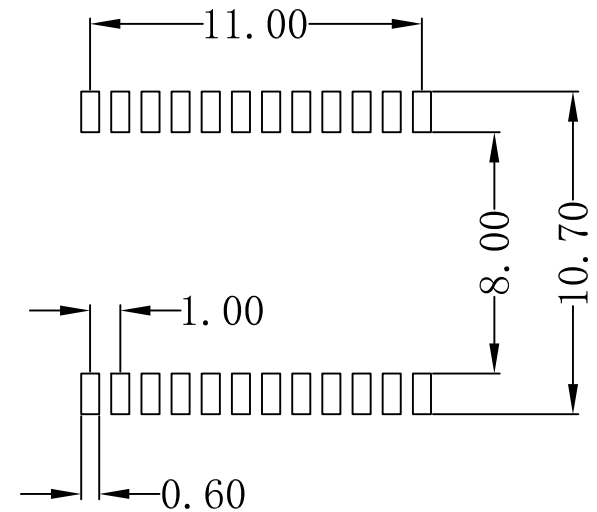
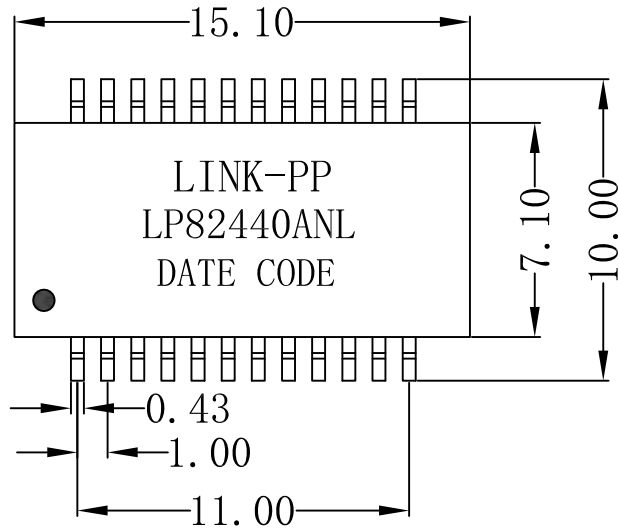
- Turns Ratio:
1CT : 1CT $\pm 5\%$
- OCL: 350uH Min
@100KHz, 100mV, 8mADC Bias
- Insertion Loss:
1-100MHz: -1.0dB MAX
- Return Loss (dB MIN @100Ω):
1-30MHz: -18 40MHz: -14.4
50MHz: -13.1 60-80MHz: -12
100MHz: -10
- Crosstalk (dB MIN):
30MHz: -45 60MHz: -40
100MHz: -35
- DCMR (dB MIN):
30MHz: -40 60MHz: -35
100MHz: -30
- Hipot: 1500Vrms MIN
- Operating Temperature: -40°C ~ +85°C.



X:X	± 0.30	APPD:	LINK-PP INT'L TECHNOLOGY CO., LIMITED	
X:XX	± 0.25	CHKD:	TITLE: 1000Base-T Magnetics Modules For PoE Application	
X:XXX	± 0.05	DR: TOM	PART NO.: LP82440ANL	
ANGLES	$\pm 1^\circ$	UNIT: mm		
	SCALE: 2/1	SHEET: 1/2	REV: P	DWG NO.: LP15071723

Mechanical:

REV.	ECN NO.	DESCRIPTION	DATE	APPD
P	REL		2015/07/17	



NOTES:

1. Designed for gigabit transceivers
2. IEEE 802.3af/ANSI ×3.263 compliant performance.
3. 350mA current capability.
4. Maximum reflow temperature is 250°C, 5 Sec.
5. Magnetics, designed for gigabit phy used in backplane
6. For RoHS part add suffix NL
7. UL Certification: File Number E484635.

X:X	±0.30	APPD:	LINK-PP INT'L TECHNOLOGY CO., LIMITED	
X:XX	±0.25	CHKD:	TITLE: 1000Base-T Magnetics Modules For PoE Application	
X:XXX	±0.05	DR: TOM	PART NO.: LP82440ANL	
ANGLES	±1°	UNIT: mm	DWG NO.: LP15071723	
		SCALE: 2/1	SHEET: 2/2	REV: P