

# Rocker Switches W/LAMP ILLUMINATED



RL3-5ABBAT



RL3-5CBBET



RL3-5LBGNBT



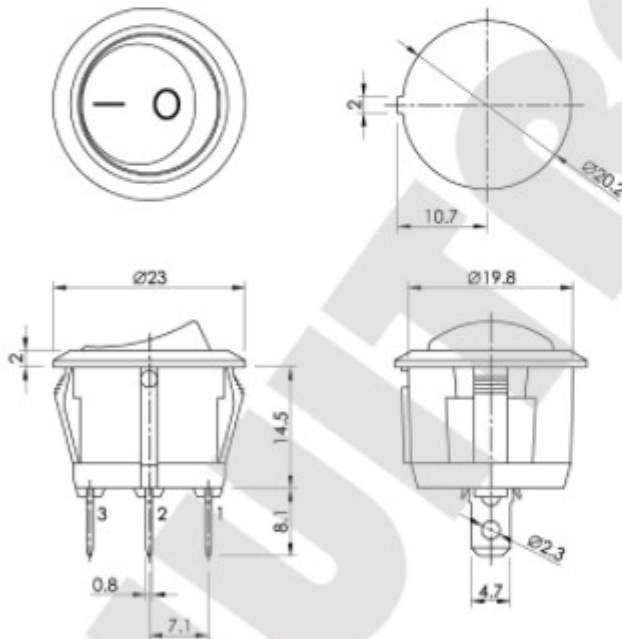
RL3-5MBBOTR



## FUNCTION

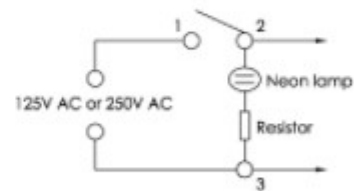
RL3-5A	ON	2P	SPST	OFF
RL3-5B	ON	3P	SPDT	ON
RL3-5C	ON	3P	SPDT	OFF
RL3-5D	(ON)	2P	SPST	OFF
RL3-5F	ON	3P	SPDT	(ON)
RL3-5H	(ON)	3P	SPDT	OFF
RL3-5L	ON	SPST	OFF	(NEON OR TUNGSTEN LAMP)
RL3-5M	ON	SPST	OFF	(DOT ILLUMINATED)

## MOUNTING HOLE



Rating : H : 10A 125V AC / 6A 250V AC  
 T : 16A 125V AC / 10A 250V AC  
 Insulation resistance : 100MΩ Min. at 500V DC  
 Contact resistance : 20mΩ Max.  
 Withstand voltage : 1,500V AC for 1 minute

## CIRCUIT OF SWITCH



## HOW TO ORDER

MODEL NO.	HOUSING COLOR	ROCKER COLOR	LAMP COLOR	MARKING	TERMINAL TYPE	LAMP COLOR	LAMP VOLTAGE	RATING
RL3-5A RL3-5B RL3-5C RL3-5D RL3-5H RL3-5L RL3-5M	B : BLACK W : WHITE G : GRAY	B : BLACK W : WHITE G : GRAY R : RED Y : YELLOW GN : GREEN	R : RED Y : YELLOW GN : GREEN		T	For RL3-5M: <input type="checkbox"/> DOT R : RED Y : YELLOW GN : GREEN	<input type="checkbox"/> NO LAMP 1 : 125V AC 2 : 250V AC 3 : 12V DC 4 : 24V DC	H : 10A 125V AC 6A 250V AC T : 16A 125V AC 10A 250V AC