



THROUGH-HOLE CURRENT-COMPENSATED CHOKES

TRF SERIES

FEATURES:

- 0.3A to 10A ratings
- 0.7mH to 100mH dual chokes
- Excellent Mechanical Strength
- 100KHz to 3MHz common mode resonance
- High Reliability and variant PCB-mount housing
- Low resistance and temperature rise

OPTIONS:

- Bulk packaging is standard
- Custom design available

COMMON APPLICATIONS:

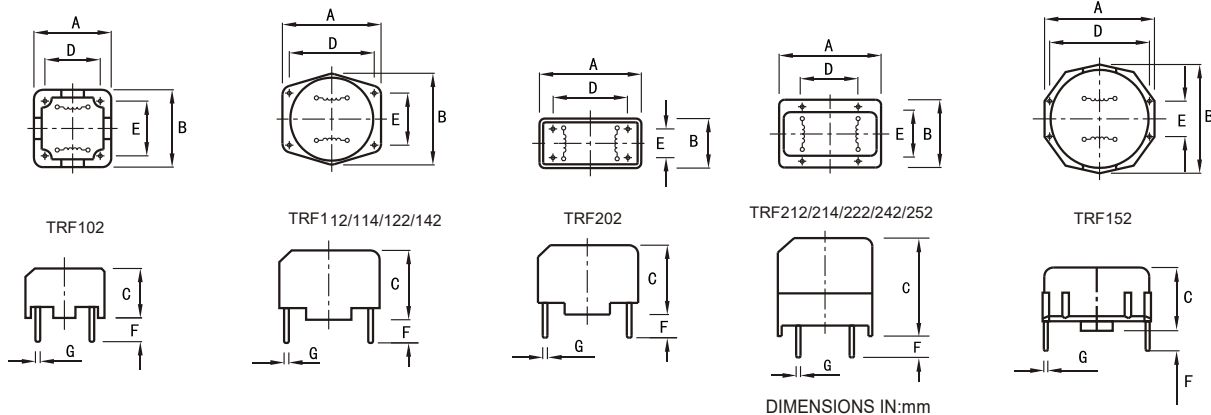
- DC/DC, AC/DC line noise suppression
- Communication System
- Automotive Systems
- CD/PDPTelevisions
- Computer Peripheral Equipment

ELECTRICAL CHARACTERISTICS[°]

MSN: bruce_fu-vip@hotmail.com

Part Number	Inductance L mH	Test Freq KHz	DCR m Ω Max	IDC Max A	Part Number	Inductance L mH	Test Freq KHz	DCR m Ω Max	IDC Max A
TRF102/202-123Y	12	10	1275	0.3	TRF114/214-332Y	3.3	10	75	2.5
TRF102/202-452Y	4.5	10	385	0.6	TRF114/214-202Y	2	10	55	3
TRF102/202-302Y	3	10	205	1.0	TRF114/214-152Y	1.5	10	35	4
TRF102/202-222Y	2.2	10	150	1.5	TRF122/222-473Y	47	10	1180	0.6
TRF102/202-102Y	1	10	70	2	TRF122/222-393Y	39	10	1000	0.8
TRF1 12/212-393Y	39	10	1460	0.4	TRF122/222-183Y	18	10	610	1
TRF1 12/212-273Y	27	10	1250	0.5	TRF122/222-103Y	10	10	220	1.5
TRF1 12/212-153Y	15	10	465	0.6	TRF122/222-682Y	6.8	10	147	2
TRF1 12/212-103Y	102	10	370	0.8	TRF122/222-332Y	3.3	10	45	4
TRF1 12/212-682Y	6.8	10	245	1.2	TRF142/242-683Y	68	10	1600	0.8
TRF1 12/212-332Y	3.3	10	135	1.5	TRF142/242-333Y	33	10	810	1
TRF1 12/212-182Y	1.8	10	75	2	TRF142/242-273Y	27	10	500	1.5
TRF1 12/212-102Y	1	10	35	3.5	TRF142/242-682Y	6.8	10	190	2
TRF1 14/214-473Y	47	10	1750	0.3	TRF142/242-332Y	3.3	10	66	4
TRF1 14/214-393Y	39	10	810	0.5	TRF152/252-683Y	68	10	1300	1
TRF1 14/214-273Y	27	10	500	0.8	TRF152/252-183Y	18	10	350	2
TRF1 14/214-153Y	15	10	375	1	TRF152/252-682Y	6.8	10	87	4
TRF1 14/214-103Y	10	10	200	1.2	TRF152/252-392Y	3.9	10	41	6
TRF1 14/214-682Y	6.8	10	130	1.5	TRF152/252-272Y	2.7	10	22	8

TECHNICAL INFORMATION & PHYSICAL CHARACTERISTICS



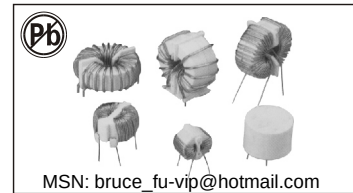
°Note: 102, 112, 114, 142, 122,152 horizontal
202, 212, 214, 242, 222, 252 vertical

- Inductance tolerance in +50%-30%
- Max operating voltage:250V at 40jæ
- IDC Max: rating AC/DC current A @40jæ
- HI-Pot 1500Vac winding to winding 3S.
- Inductance Testing: 10KHz 0.1V HP4284A
- RDC:QuadTech 1880 Milliohmeter
- Surge current Max 10ms: 20X IDC
- Operating temperature: -40jæ to +105jæ
- Storage Temperature: -40jæ to +105jæ
- Resistance to soldering heat:260jæ for 10 seconds
- Marking: Part number and date code

P/N	TRF102	TRF112	TRF114	TRF122	TRF202	TRF212	TRF214	TRF222	TRF242	TRF142	TRF152	TRF252
A	14	17.7	22.5	28	18	18.5	23	27	32	33.5	43	43
B	14	17.2	21.5	27	8.8	13.5	15.5	18	18	32.5	42	25
C	8.5	13.5	13.2	16.5	13.5	20	25	30	35	19.7	25	44
D	10	15	20	25	15.2	15	10	12.5	12.5	30	40	30.5
E	10	10	12.5	15	5.08	10	12.5	15	15	20	15	17.8
F	4	4	4	4	4.5	4	4	0.8	4	4.5	4.5	4.5
G	0.6	0.8	0.8	0.8	0.8	0.8	0.8	4	0.8	0.8	1.2	1.2

Note:All specifications subject to change without notice.

THROUGH-HOLE TOROIDAL COMMON MODE CHOKES TRF SERIES



FEATURES:

- 0.3A to 10A ratings
- 0.7mH to 100mH dual chokes
- Excellent Mechanical Strength
- 00KHz to 3MHz common mode resonance
- High Reliability and variant PCB-mount housing
- Low resistance and temperature rise

OPTIONS:

- Bulk packaging is standard
- Custom design available

COMMON APPLICATIONS:

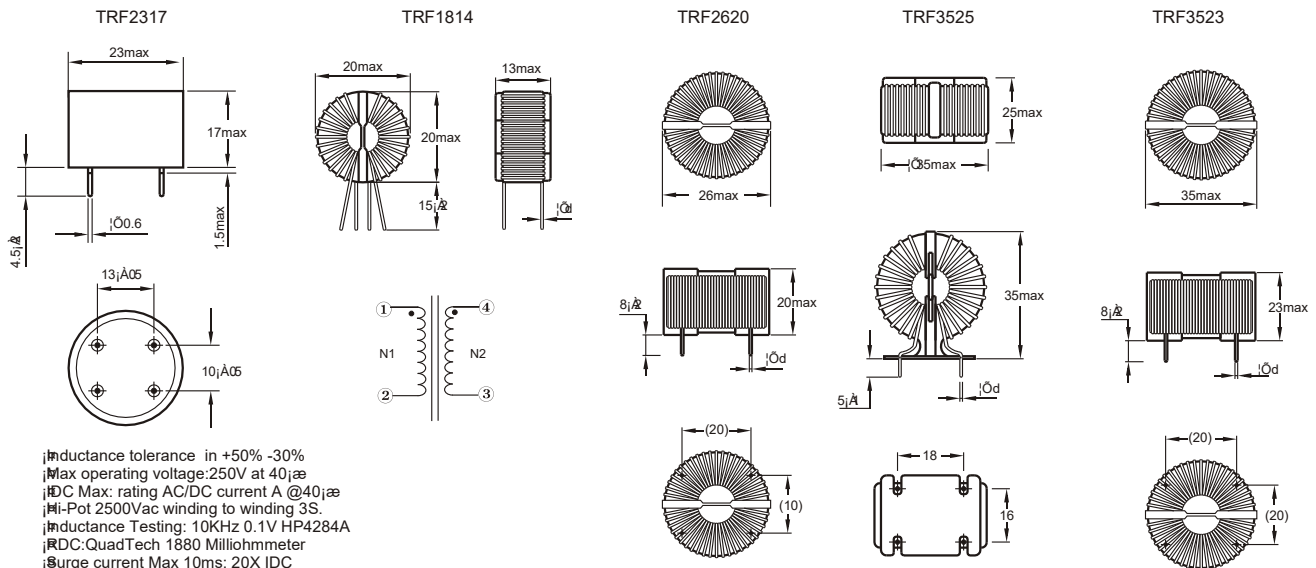
- DC/DC, AC/DC line noise suppression
- Communication System
- Automotive Systems
- LCD/PDPTelevisions
- Computer Peripheral Equipment It accord with the standards of FCC VCCI CISPR FTZ, etc, eliminating of electromagnetic noise of power and signal circuit.

ELECTRICAL CHARACTERISTICS^①

MSN: bruce_fu-vip@hotmail.com

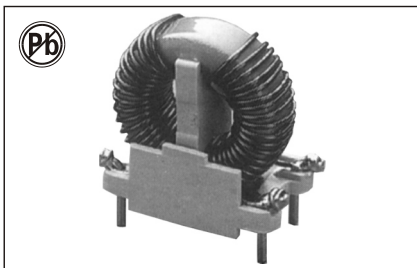
Part Number	Inductance L mH	DCR m_1 Max	IDC Max A	μ d (mm)	Part Number	Inductance L mH	DCR m_1 Max	IDC Max A	μ d (mm)
TRF1814-402Y	4.0	200	1.5	0.51	TRF3525-103Y	10	180	3.5	0.8
TRF1814-202Y	2.2	100	1.5	0.51	TRF3525-802Y	8	110	3.5	0.8
TRF1814-102Y	1	120	1.5	0.51	TRF3525-532Y	5.3	100	4.5	0.8
TRF1814-102Y	1	75	1	0.41	TRF3525-452Y	4.5	50	4	1.0
TRF2317-102Y	1.0	120	2.5	0.6	TRF3525-402Y	4	40	8	1.1
TRF2317-801Y	0.8	120	2.5	0.6	TRF3525-302Y	3	80	6	0.9
TRF2317-601Y	0.6	110	2.5	0.6	TRF3525-232Y	2.3	50	5	0.8
TRF2317-401Y	0.4	100	2.5	0.6	TRF3525-102Y	1	20	10	1.3
TRF2317-201Y	0.2	80	2.5	0.6	TRF3525-701Y	0.7	8	12	1.5
TRF2620-602Y	6.0	160	1.5	0.51	TRF3525-201Y	0.2	6	18	1.8
TRF2620-452Y	4.5	150	2	0.53	TRF3523-852Y	8.5	110	3	0.8
TRF2620-232Y	2.3	100	3	0.69	TRF3523-702Y	5	90	5	0.8
TRF2620-202Y	2	50	4	0.75	TRF3523-502Y	2.3	50	3.3	0.8
TRF2620-102Y	1.2	60	5	0.8	TRF3523-402Y	2	22	6.5	1.0
TRF2620-102Y	1	25	6	0.9	TRF3523-302Y	1.2	21	10	1.3
TRF2620-601Y	0.6	10	9	1.0	TRF3523-232Y	0.5	5	18	1.8
TRF2620-301Y	0.3	8	10	1.2	TRF3523-202Y	10	280	2	0.53
TRF3525-303Y	30	220	3.0	0.8	TRF3523-122Y	7	230	2.5	0.60
TRF3525-143Y	14	220	3.5	0.8	TRF3523-501Y	3	100	4	0.70

TECHNICAL INFORMATION & PHYSICAL CHARACTERISTICS:



① Inductance tolerance in +50% -30%
 ② Max operating voltage: 250V at 40jæ
 ③ IDC Max: rating AC/DC current A @40jæ
 ④ Hi-Pot 2500Vac winding to winding 3S.
 ⑤ Inductance Testing: 10KHz 0.1V HP4284A
 ⑥ RDC: QuadTech 1880 Milliohm meter
 ⑦ Surge current Max 10ms: 20X IDC
 ⑧ Operating temperature: -40jæ to +105jæ
 ⑨ Storage Temperature: -40jæ to +105jæ
 ⑩ Resistance to soldering heat: 260jæ for 10 seconds
 ⑪ Marking: Part number and date code
 Note: All specifications subject to change without notice.

DIMENSIONS IN: mm



THROUGH-HOLE TOROIDAL COMMON MODE CHOKES TRF SERIES

FEATURES:

- 0.3A to 10A ratings
- 0.7mH to 100mH dual chokes
- Excellent Mechanical Strength
- 100KHz to 3MHz common mode resonance
- High Reliability and variant PCB-mount housing
- Low resistance and temperature rise

OPTIONS:

- Bulk packaging is standard
- Custom design available

COMMON APPLICATIONS:

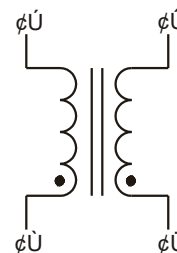
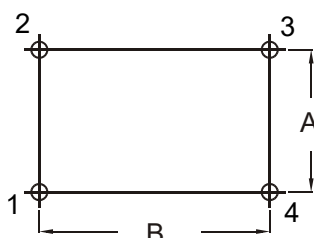
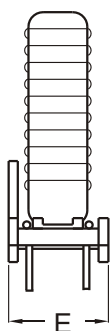
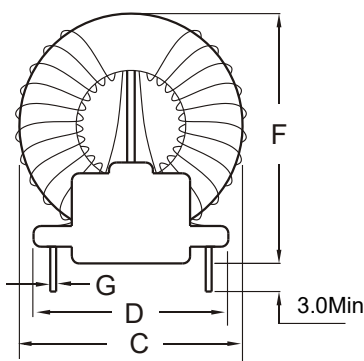
- DC/DC, AC/DC line noise suppression
- Communication System
- Automotive Systems
- LCD/PDPTelevisions
- Computer Peripheral Equipment It accord with the standards of FCC VCCI CISPR FTZ, etc, eliminating of electromagnetic noise of power and signal circuit.

ELECTRICAL CHARACTERISTICS[°]

MSN: bruce_fu-vip@hotmail.com

Part Number	Inductance (mH Min.)	RATED RMS Current Amps	DCR each winding (Ohms Max)	Leakage (µH) Type	Part Number	Inductance (mH Min.)	RATED RMS Current Amps	DCR each winding (Ohms Max)	Leakage (µH) Type
TRF3518-163Y	16.0	1.5	0.320	180	TRF4525-563Y	56.0	1.8	1.0	550
TRF3518-103Y	10.0	2.2	0.240	130	TRF4525-333Y	33.0	2.0	0.730	300
TRF3518-802Y	8.0	2.5	0.120	90	TRF4525-223Y	22.0	3.2	0.352	280
TRF3518-402Y	4.0	3.5	0.040	45	TRF4525-153Y	15.0	4.2	0.132	150
TRF3518-302Y	3.0	6.0	0.030	35	TRF4525-123Y	12.0	6.8	0.098	95
TRF3518-202Y	2.0	9.0	0.020	25	TRF4525-502Y	5.0	12	0.035	50
TRF3518-102Y	1.0	15.0	0.010	12	TRF4525-302Y	3.0	15	0.009	20
TRF3622-163Y	16.0	2.2	0.40	180	TRF5230-124Y	120.0	1.5	1.15	900
TRF3622-103Y	10.0	3.0	0.35	130	TRF5230-723Y	72.0	2.6	0.50	600
TRF3622-802Y	8.0	3.5	0.143	85	TRF5230-333Y	33.0	4.2	0.124	450
TRF3622-402Y	4.0	5.4	0.105	45	TRF5230-223Y	22.0	6.0	0.117	180
TRF3622-302Y	3.0	6.5	0.054	35	TRF5230-153Y	15.0	9.0	0.060	180
TRF3622-202Y	2.0	8.7	0.020	25	TRF5230-103Y	10.0	15	0.033	120
TRF3622-122Y	1.2	15	0.010	12	TRF5230-602Y	6.0	18	0.028	100

TECHNICAL INFORMATION & PHYSICAL CHARACTERISTICS:



DIMENSIONS IN:mm

• Inductance tolerance in +50% -30%
 • Max operating voltage:250V at 40jæ
 • IDC Max: rating AC/DC current A @40jæ
 • HI-Pot 2500Vac winding to winding 3S.
 • Inductance Testing: 10KHz 0.1V HP4284A
 • RDC:QuadTech 1880 Milliohmeter
 • Surge current Max 10ms: 20X IDC
 • Operating temperature: -40jæ to +105jæ
 • Storage Temperature: -40jæ to +105jæ
 • Resistance to soldering heat:260jæ for 10 seconds
 • Marking: Part number and date code
 Note:All specifications subject to change without notice.

Part number	A	B	C	D	E	F	G
TRF3518	10.16	20.32	34.3	25.4	17.78	31.52	1.2
TRF3622	15.24	22.86	36.83	27.94	22.86	33.5	1.2
TRF4525	17.78	30.48	44.45	35.56	25.4	44.7	1.2
TRF5230	22.86	38.1	52.07	43.18	30.48	58.0	1.2