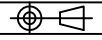

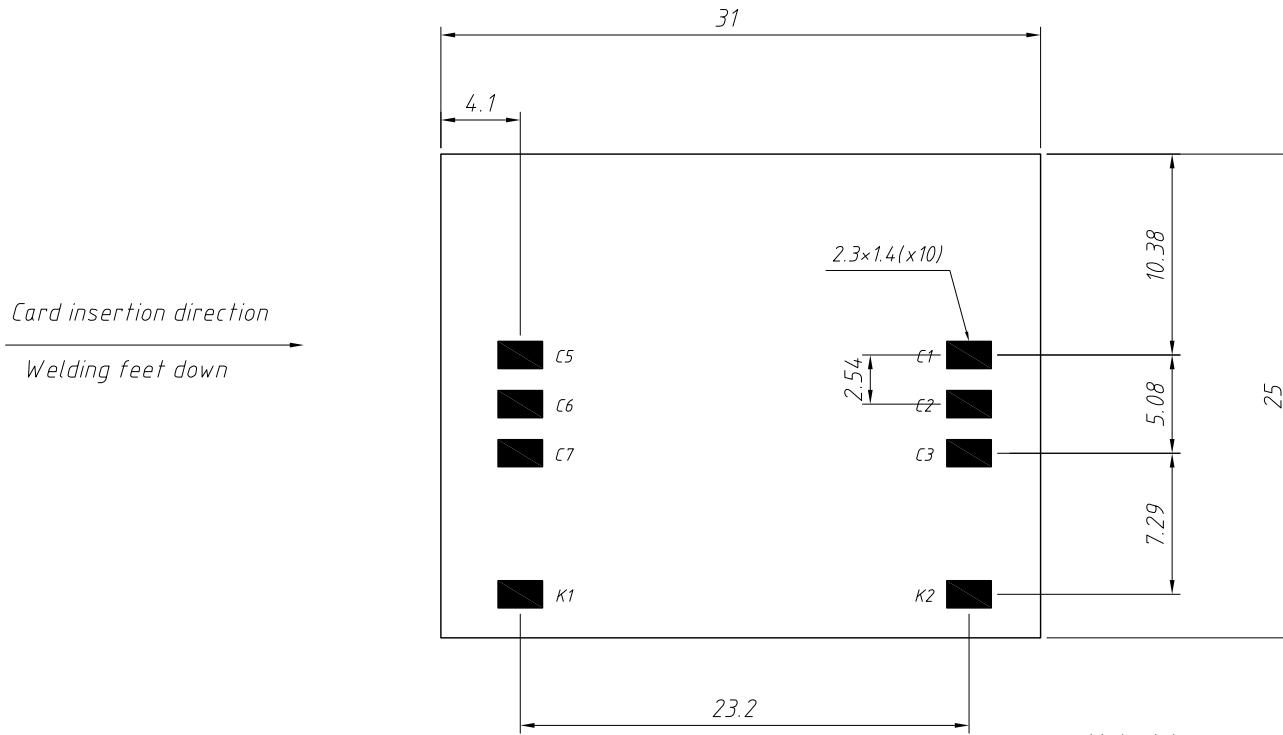


| GENERAL TOLERANCE | | ANGLE TOLERANCE | | PROJECTION | |  mm A4 KLS P/N: | SIM CARD CONN; PUSH PUSH R/A, 6P, SMD with CD Pin L-KLS1-SIM-014-6P-R |
|-------------------|-------|-----------------|--------------|------------|--|--|---|
| X | ±0.15 | X | ±5° | UNITS | | | |
| .X | ±0.03 | .X | ±3° | SHEET SIZE | | | |
| .XX | ±0.05 | .XX | ±2° | | | | |
| Draw by: Jenny | | Date: | | 2018-03-10 | |  NingBo KLS ELECTRONIC CO., L.TD. | |
| Check by: | | Date: | | 2018-03-10 | | | |
| SCALE | | | SHEET 1 OF 3 | | | | |



Recommended P.C.B Layout
(PCB BOARD TOLERANCE±0.05)

Material:

- 1.Bracket:LCP
- 2.Stem:LCP
- 3.Spring:Stainless steel
- 4.Putter:Stainless steel
- 5.Minor axis:Phosphorous copper
- 6.Z-shaped sheet:Stainless steel
- 7.Contact Form:Phosphorous copper,Bottom plating Ni,
Contact point plating Au15u"

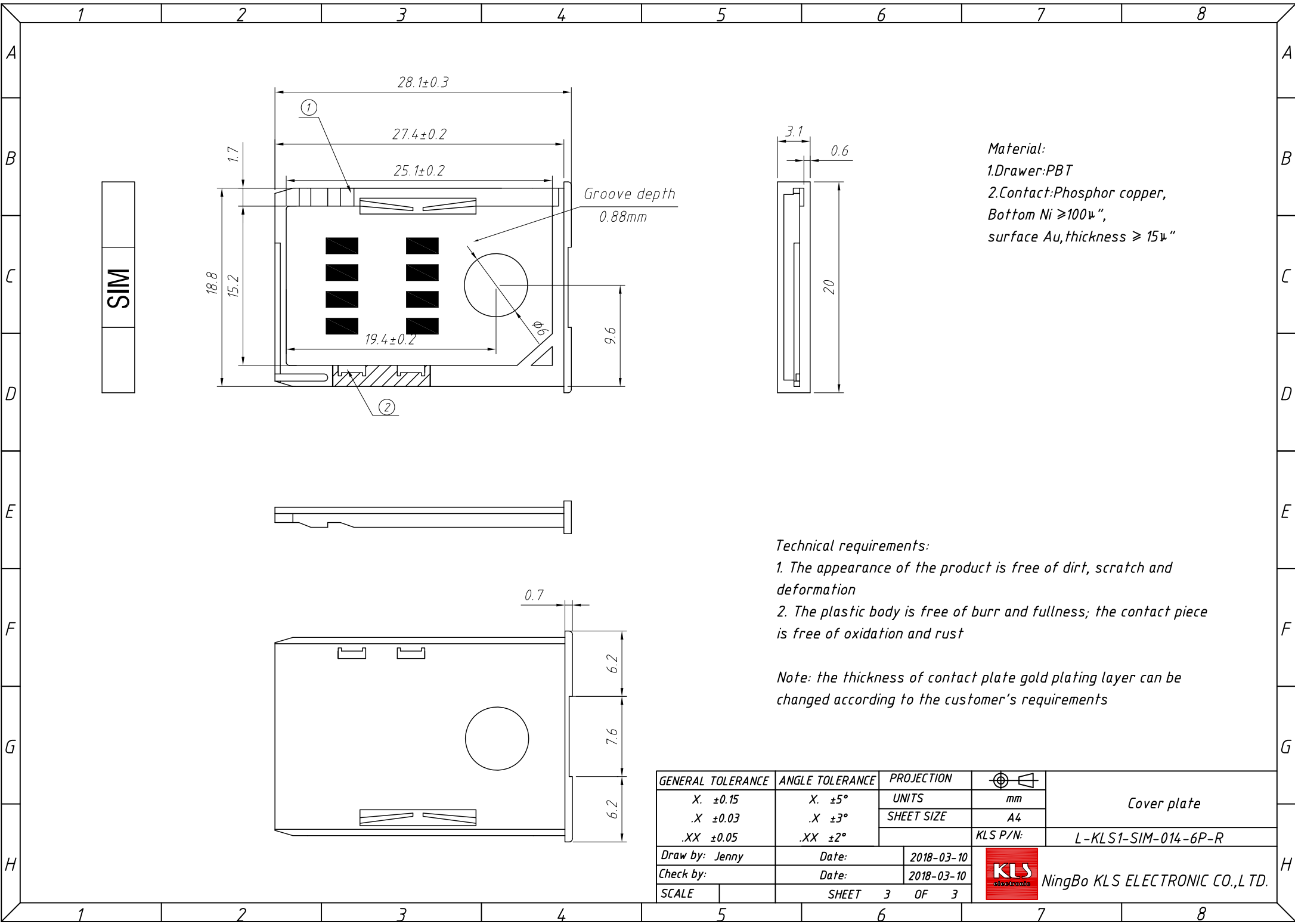
Technical requirements:

- 1. The appearance of the product is free from dirt, scratch and deformation
- 2. The plastic body has no burr and full shooting; the terminal has no oxidation and rust

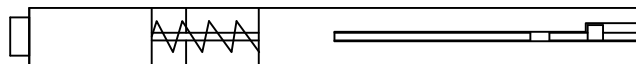
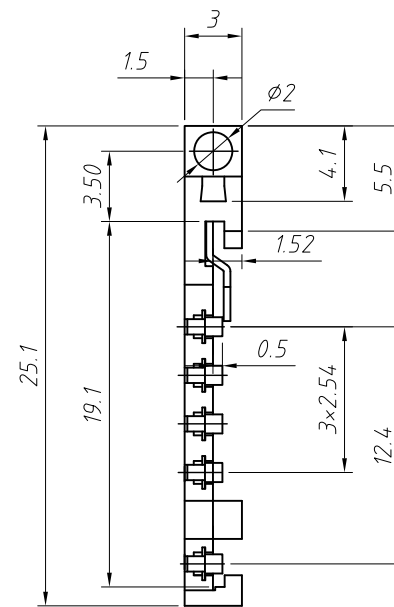
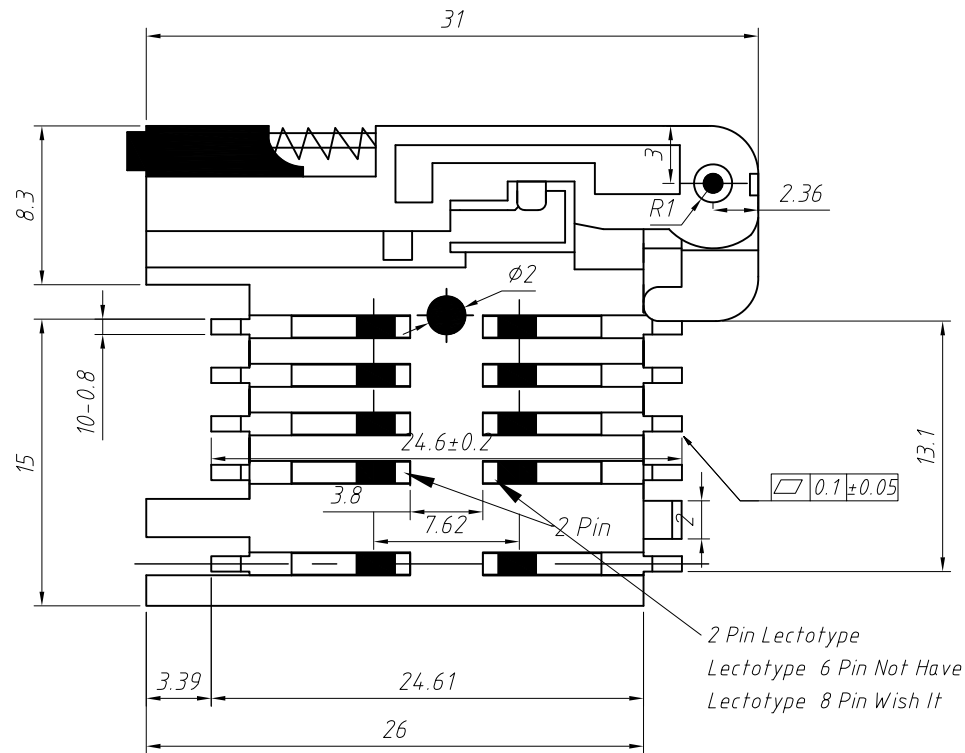
Notes:



The thickness of spring gold plating layer can be changed according to customer's requirements

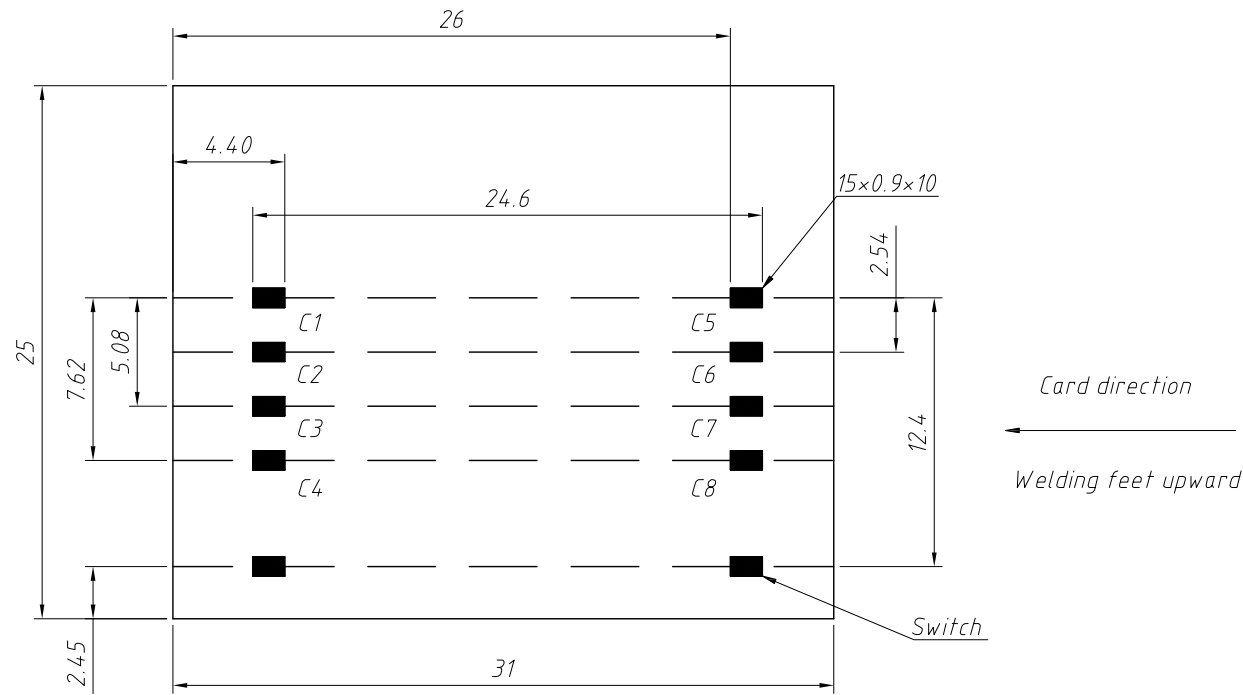
| GENERAL TOLERANCE | ANGLE TOLERANCE | PROJECTION | | SIM CARD CONN;PUSH PUSH R/A, 6P,SMD with CD Pin L-KLS1-SIM-014-6P-R |
|-------------------|-----------------|------------|----------|---|
| X. ±0.15 | X. ±5° | UNITS | mm | |
| .X ±0.03 | .X ±3° | SHEET SIZE | A4 | |
| .XX ±0.05 | .XX ±2° | | KLS P/N: | |
| Draw by: Jenny | Date: | 2018-03-10 | | NingBo KLS ELECTRONIC CO.,L TD. |
| Check by: | Date: | 2018-03-10 | | |
| SCALE | SHEET 2 OF 3 | | | |



| GENERAL TOLERANCE | ANGLE TOLERANCE | PROJECTION | | Cover plate |
|-------------------|-------------------|------------|----------|---------------------------------|
| X. ± 0.15 | X. $\pm 5^\circ$ | UNITS | mm | |
| .X ± 0.03 | .X $\pm 3^\circ$ | SHEET SIZE | A4 | |
| .XX ± 0.05 | .XX $\pm 2^\circ$ | | KLS P/N: | L-KLS1-SIM-014-6P-R |
| Draw by: Jenny | Date: | 2018-03-10 | | NingBo KLS ELECTRONIC CO.,L TD. |
| Check by: | Date: | 2018-03-10 | | |
| SCALE | SHEET 3 OF 3 | | | |



| GENERAL TOLERANCE | | ANGLE TOLERANCE | | PROJECTION | |  mm A4 KLS P/N: | SIM CARD CONN; PUSH PUSH R/A, 6P & 8P, SMD with CD Pin L-KLS1-SIM-014-8P-R |
|-------------------|---------|-----------------|--------|------------|--|--|--|
| X. ±0.15 | X. ±5° | UNITS | | | | | |
| .X ±0.03 | .X ±3° | SHEET SIZE | | | | | |
| .XX ±0.05 | .XX ±2° | | | | | | |
| Draw by: Jenny | | Date: | | 2018-03-10 | |  NingBo KLS ELECTRONIC CO., L TD. | |
| Check by: | | Date: | | 2018-03-10 | | | |
| SCALE | SHEET | | 1 OF 3 | | | | |



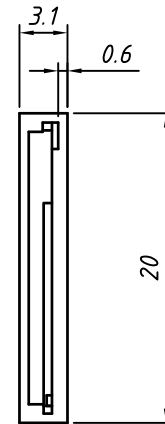
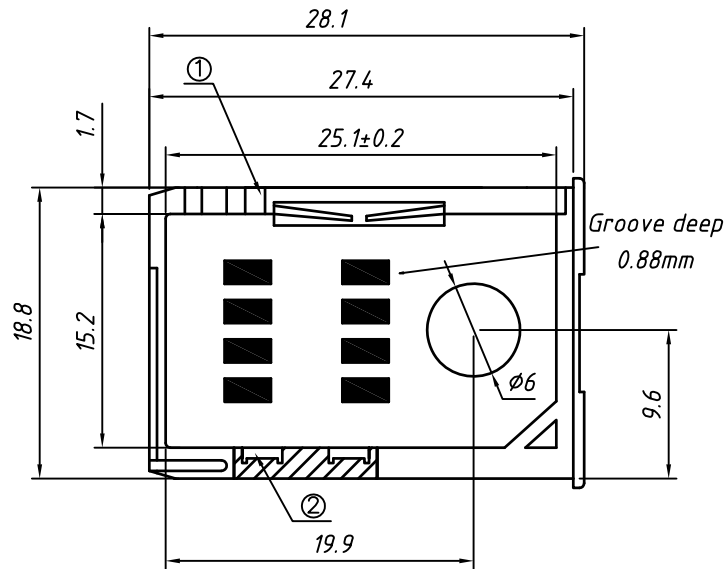
Material:
 Housing Material: LCP UL94V-0
 Contact Material: Tin-Bronze
 Package: Tape and Reel Package

Electrical Characteristics:
 Voltage rating: 5V (AC/DC) Max
 Current Rating: 10mA (AC/DC) Max
 Withstand voltage: 500V AC/1Minute
 Insulation resistance: $\geq 1000M\Omega$ Min At 500V AC
 Contact resistance: $\leq 30M\Omega$
 Life: >10000 Cycles
 Operating Temperature: $-45^{\circ}C \sim +105^{\circ}C$

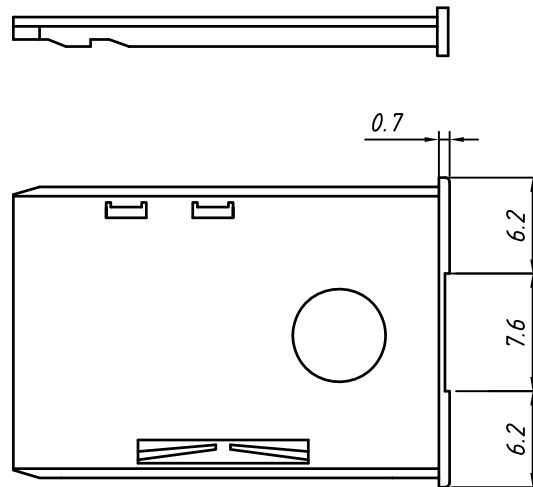
RECOMMENDED PCB LAYOUT

| GENERAL TOLERANCE | ANGLE TOLERANCE | PROJECTION | | SIM CARD CONN; PUSH PUSH R/A, 6P & 8P, SMD with CD Pin L-KLS1-SIM-014-8P-R |
|-------------------|---------------------|--------------------------------|----------|--|
| X. ± 0.15 | X. $\pm 5^{\circ}$ | UNITS | mm | |
| .X ± 0.03 | .X $\pm 3^{\circ}$ | SHEET SIZE | A4 | |
| .XX ± 0.05 | .XX $\pm 2^{\circ}$ | | KLS P/N: | |
| Draw by: Jenny | Date: 2018-03-10 | NingBo KLS ELECTRONIC CO.,LTD. | | |
| Check by: | Date: 2018-03-10 | | | |
| SCALE | SHEET 2 OF 3 | | | |

SIM



Material:
 1.Drawer:PC
 2.Contact:Phosphor copper,
 Bottom Ni ≥100μ",
 surface Au,thickness ≥ 15μ"



Technical requirements:

1. The appearance of the product is free of dirt, scratch and deformation
 2. The plastic body is free of burr and fullness; the contact piece is free of oxidation and rust
- Note: the thickness of contact plate gold plating layer can be changed according to the customer's requirements

| GENERAL TOLERANCE | ANGLE TOLERANCE | PROJECTION | | Cover plate |
|-------------------|-----------------|------------|----------|--------------------------------|
| X. ±0.15 | X. ±5° | UNITS | mm | |
| .X ±0.03 | .X ±3° | SHEET SIZE | A4 | |
| .XX ±0.05 | .XX ±2° | | KLS P/N: | L-KLS1-SIM-014-8P-R |
| Draw by: Jenny | Date: | 2018-03-10 | | NingBo KLS ELECTRONIC CO.,LTD. |
| Check by: | Date: | 2018-03-10 | | |
| SCALE | SHEET 3 OF 3 | | | |