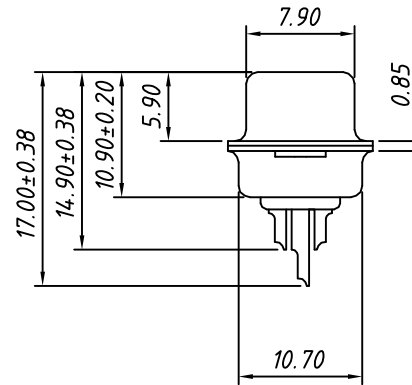
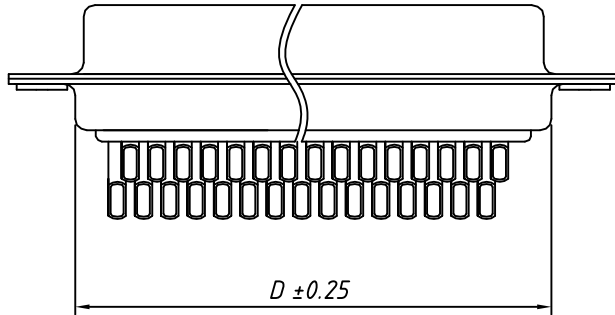
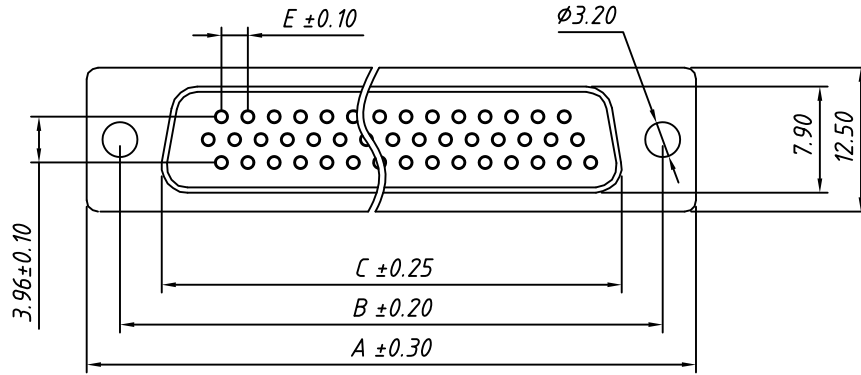


1 RoHS Compliant



Material:  
Housing: PBT+30% Glass filled ,UL94V-0  
Contacts: Brass ,  
Gold Plating on Contact Area,  
Tin on Solder Tail.  
Shell: Steel,  
Front Shell Nickel Plating,  
Back Shell Tin Plating

Electrical Characteristics:  
Current Rating: 5 AMP  
Insulator Resistance: 1000MΩ Min. at DC 500V  
Withstanding Voltage: 500V AC (rms) for 1 minute  
Contact Resistance: 20mΩ Max. Initial  
Operating Temperature: -55°C ~ +105°C

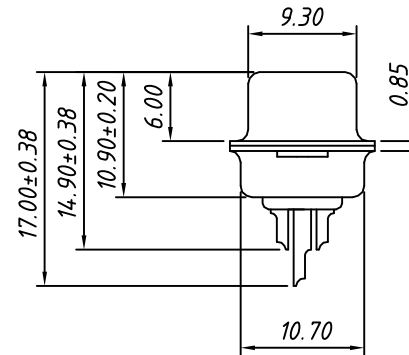
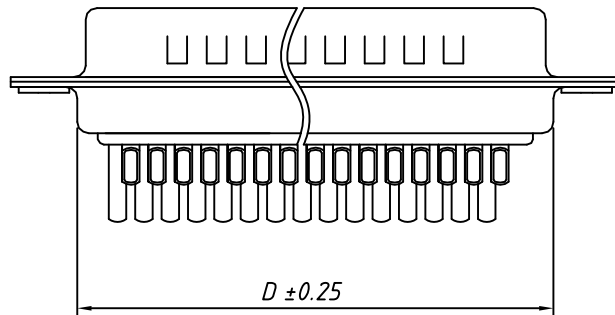
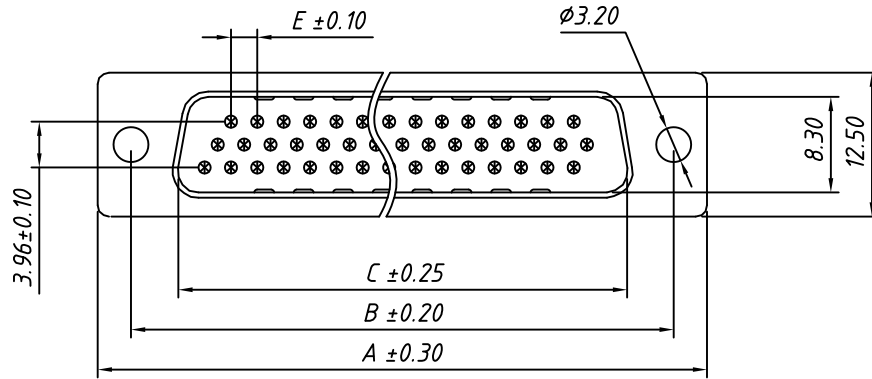
Order Information

L - KLS1 - 214 - XX - F - L  
RoHS \_\_\_\_\_  
D-SUB Connector, \_\_\_\_\_  
3 Row Solder type \_\_\_\_\_  
XX-No.of 15,26,44,62pins \_\_\_\_\_  
Connector type: M-Male F-Female \_\_\_\_\_  
Housing Color: \_\_\_\_\_  
L-Blue B-Black W-White

Number of Contacts	DIMENSION				
	A±0.30	B±0.20	C±0.25	D±0.25	E±0.10
15	30.80	25.00	16.30	19.30	2.29
26	39.20	33.30	24.60	27.60	2.29
44	53.10	47.04	38.30	41.10	2.29
62	69.34	63.50	54.80	57.30	2.41

GENERAL TOLERANCE	PROJECTION		Description:
X. ±0.30	UNITS	mm	D-SUB Connector, Solder Type,Female
.X ±0.25	SCALE	1:1	
.XX ±0.20	Draw by:	Daniel	KLS P/N: L-KLS1-214-XX-F-L
ANGLE TOLERANCE	Check by:	Daniel	NingBo KLS ELECTRONIC CO.,L TD.
X. ±3°	Date	2018-03-01	
.X ±2°	SHEET	1 OF 1	
.XX ±1°			

1 RoHS Compliant



Material:  
 Housing: PBT+30% Glass filled,UL94V-0  
 Contacts: Brass,  
 Gold Plating on Contact Arer,  
 Tin on Solder Tail.  
 Shell: Steel,  
 Front Shell Nickel Plating,  
 Back Shell Tin Plating

Electrical Characteristics:  
 Current Rating: 5 AMP  
 Insulator Resistance: 1000MΩ Min. at DC 500V  
 Withstanding Voltage: 500V AC (rms) for 1 minute  
 Contact Resistance: 20mΩ Max. Initial  
 Operating Temperature: -55°C ~ +105°C

Order Information

L - KLS1 - 214 - XX - M - L  
 RoHS \_\_\_\_\_  
 D-SUB Connector, \_\_\_\_\_  
 3 Row Solder type \_\_\_\_\_  
 XX-No.of 15,26,44,62pins \_\_\_\_\_  
 Connector type: M-Male F-Female \_\_\_\_\_  
 Housing Color: \_\_\_\_\_  
 L-Blue B-Black W-White

Number of Contacts	DIMENSION				
	A±0.30	B±0.20	C±0.25	D±0.25	E±0.10
15	30.80	25.00	16.90	19.30	2.29
26	39.20	33.30	25.25	27.60	2.29
44	53.10	47.04	38.96	41.10	2.29
62	69.34	63.50	55.40	57.30	2.41

GENERAL TOLERANCE	PROJECTION		Description:
X. ±0.30	UNITS	mm	D-SUB Connector, Solder Type,Male
.X ±0.25	SCALE	1:1	
.XX ±0.20	Draw by:	Daniel	KLS P/N: L-KLS1-214-XX-M-L
ANGLE TOLERANCE	Check by:	Daniel	NingBo KLS ELECTRONIC CO.,L TD.
X. ±3°	Date	2018-03-01	
.X ±2°	SHEET	1 OF 1	
.XX ±1°			