

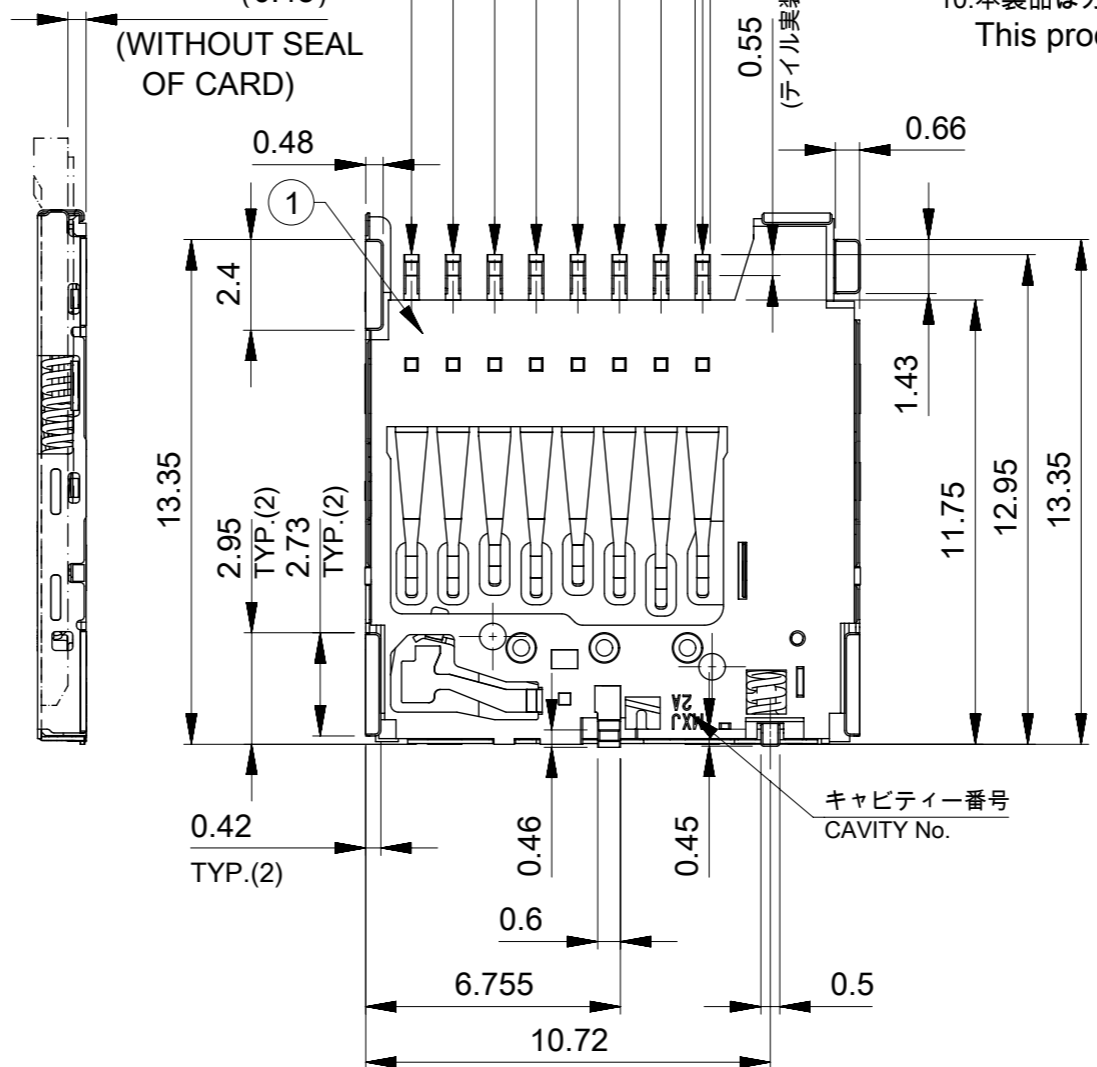
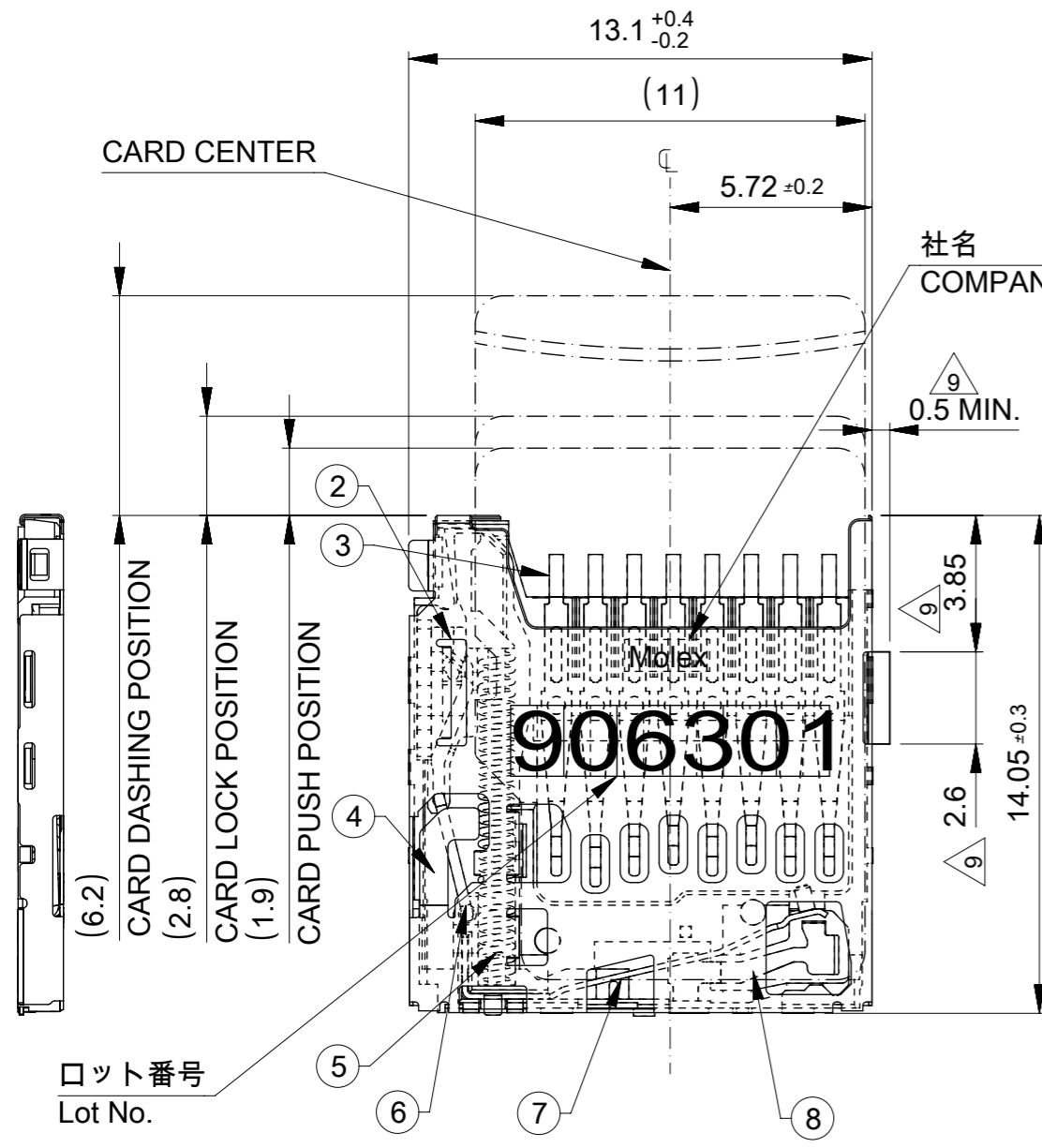
- PIN No.1: DAT2
- PIN No.2: CD/DAT3²
- PIN No.3: CMD
- PIN No.4: VDD
- PIN No.5: CLK
- PIN No.6: Vss
- PIN No.7: DAT0
- PIN No.8: DAT1

NOTES:

- 1.ターミナル及びネイルの平坦度は0.1 MAX.
(測定用定板面を基準)
TERMINAL AND NAIL COPLANARITY TO BE 0.1 MAX.(FROM GAUGE PLANE)
- 2 スタンドオフ寸法 STAND OFF
- 3 パターン禁止エリア PATTERN PROHIBITION AREA
- 4.カード検知スイッチ DETECT SWITCH

カード挿入時 CARD INSERTING POSITION	クローズ CLOSE
カード未挿入時 NO CARD	オープン OPEN

- 5.肉抜き位置は任意とする。CAVITY IS TO BE OPTIONAL.
- 6.ロット印字は任意とする。LOT NUMBERING IS TO BE OPTIONAL.
- 7.GND 推奨パターン GND RECOMMENDED PATTERN.
- 8.ELV 及びRoHS適合品 ELV AND RoHS COMPLIANT.
- 9.カード裏挿し誤挿入時、カード突出エリア
(他の部品の設置、非推奨範囲)
WHEN A CARD IS MISS-MATED IN THE REVERSE ORIENTATION, PART OF THE CARD PROTRUDES FROM THE SHELL DUE TO THE CARD-MISS MATING PREVENTION FEATURE. THEREFORE, NO COMPONENTS ARE ALLOWED TO BE PLACED IN THIS AREA.
- 10.本製品はカード排出性向上品です。
This product is card ejection performance improvement type.



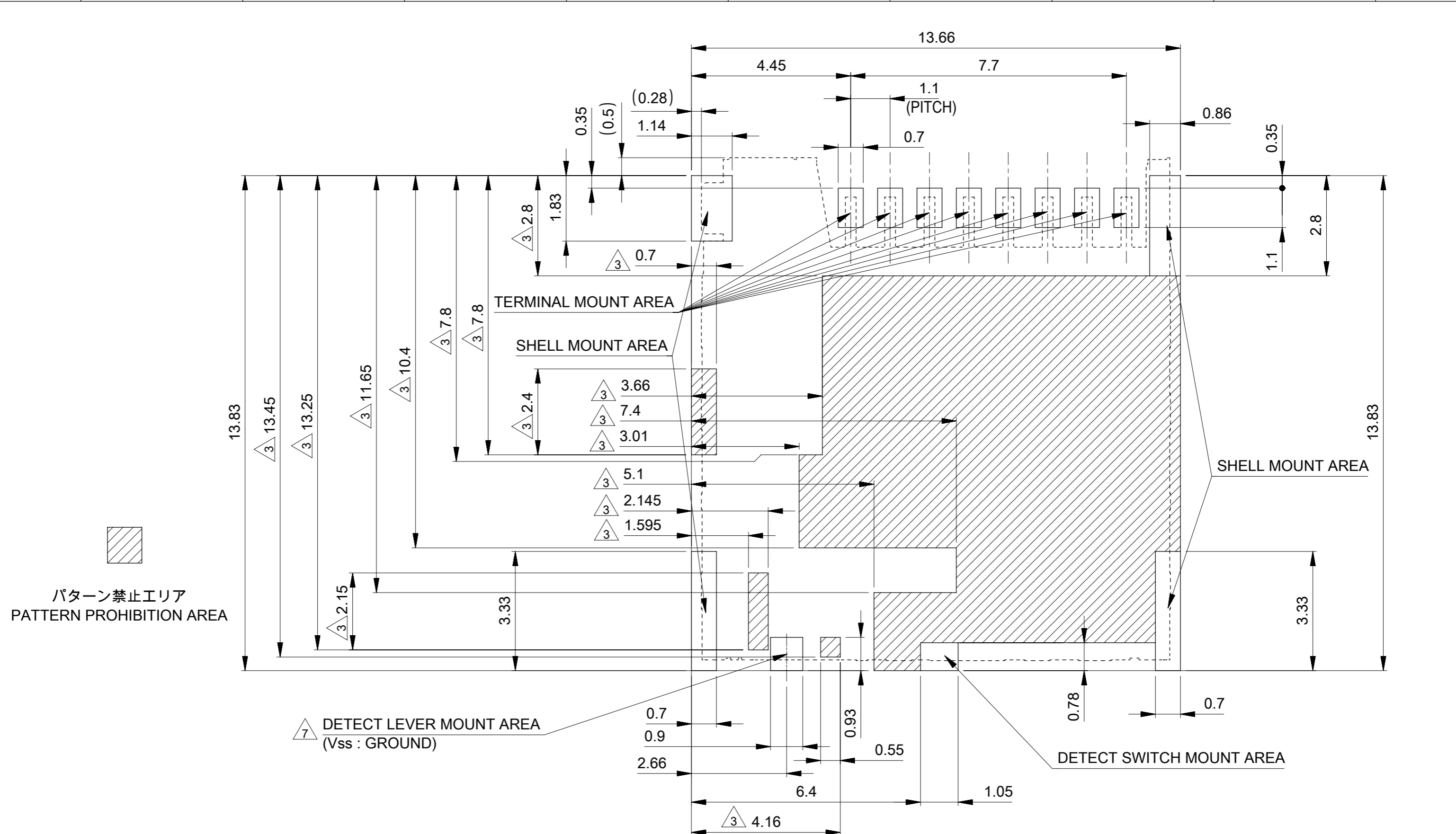
109011C

1 : Year(2011)
09: Month(9)
01: Day(1)
1 : Line No.

IDENTIFICATION MARK
C : 503398-1892(ORDER NO.)

503398-1892	8
EMBOSSED PACKAGE	極数 CIRCUITS
オーダー番号 ORDER NO.	
CONNECTOR SERIES No. 503398-1821	

GENERAL TOLERANCES: (UNLESS SPECIFIED) 一般公差		THIS DRAWING CONTAINS INFORMATION THAT IS PROPRIETARY TO MOLEX ELECTRONIC TECHNOLOGIES, LLC AND SHOULD NOT BE USED WITHOUT WRITTEN PERMISSION	
10 UNDER 未満	±0.2	DIMENSION UNITS	SCALE
10 OVER 以上	30 UNDER 未満	mm	1:1
30 OVER 以上		GENERAL TOLERANCES (UNLESS SPECIFIED)	CURRENT REV DESC:
ANGLE 角度	±3°	ANGULAR TOL ±	EC NO: 635207
		4 PLACES ±	DRWN: YSEKI01 2020/04/02
		3 PLACES ±	CHK'D: MSASAO 2020/04/02
		2 PLACES ±	APPR: YNAITO 2020/04/02
		1 PLACE ±	INITIAL REVISION:
		0 PLACES ±	DRWN: YGOTO 2011/12/13
			APPR: YOITO 2011/12/16
DRAFT WHERE APPLICABLE MUST REMAIN WITHIN DIMENSIONS		THIRD ANGLE PROJECTION	DRAWING
			A3-SIZE
		SERIES	503398
		MATERIAL NUMBER	SEE CHART
		CUSTOMER	GENERAL MARKET
		DOCUMENT NUMBER	SD-503398-003
		DOC TYPE	PSD
		DOC PART	001
		REVISION	A3
		SHEET NUMBER	1 OF 3



パターン禁止エリア
PATTERN PROHIBITION AREA

DETECT LEVER MOUNT AREA
(Vss : GROUND)

DETECT SWITCH MOUNT AREA

RECOMMENDED
PCB PATTERN LAYOUT
(GENERAL TOLERANCE : ±0.05)

GENERAL TOLERANCES: (UNLESS SPECIFIED) 一般公差		THIS DRAWING CONTAINS INFORMATION THAT IS PROPRIETARY TO MOLEX ELECTRONIC TECHNOLOGIES, LLC AND SHOULD NOT BE USED WITHOUT WRITTEN PERMISSION	
10 UNDER 未満	±0.2	DIMENSION UNITS mm	SCALE 1:1
10 OVER 以上	30 UNDER 未満 ±0.25	CURRENT REV DESC:	
30 OVER 以上	±0.3	EC NO: 635207 DRWN: YSEKI01 CHK'D: MSASAO APPR: YNAITO	
ANGLE 角度	±3°	2020/04/02 2020/04/02 2020/04/02	
		INITIAL REVISION: DRWN: YGOTO APPR: YOITO	
		2011/12/13 2011/12/16	
		DRAFT WHERE APPLICABLE MUST REMAIN WITHIN DIMENSIONS	
		THIRD ANGLE PROJECTION DRAWING A3-SIZE	
		SERIES 503398	
		MATERIAL NUMBER CUSTOMER GENERAL MARKET	
		DOCUMENT NUMBER SD-503398-003	
		DOC TYPE PSD	
		DOC PART 001	
		REVISION A3	
		SHEET NUMBER 2 OF 3	

番号 NO.	名称 NAME	材料 MATERIAL	仕上げ(めっき) FINISHES (PLATING)
1	ハウジング HOUSING	液晶ポリマー(LCP)、ガラス充填、UL94 V-0、黒 LIQUID CRYSTAL POLYMER (LCP), GLASS FILLED, UL94 V-0, BLACK ポリプラスチック製 VECTRA S475 VECTRA S475 MADE OF POLYPLASTICS	
2	カムスライダー CAM SLIDER	液晶ポリマー(LCP)、ガラス充填、UL94 V-0、黒 LIQUID CRYSTAL POLYMER (LCP), GLASS FILLED, UL94 V-0, BLACK ポリプラスチック製 VECTRA E130i VECTRA E130i MADE OF POLYPLASTICS	
3	ターミナル TERMINAL	燐青銅 C52100(t=0.15) PHOSPOHR BRONZE C52100(t=0.15)	接触部：金めっき (0.5μm MIN.) テール部：錫めっき (2.0μm MIN.) 下地：ニッケルめっき (1.0μm MIN.) CONTACT AREA : GOLD PLATING (0.5 MICROMETER MINIMUM.) SOLDER TAIL AREA : TIN PLATING (2.0 MICROMETER MINIMUM.) UNDERPLATE : NICKEL OVERALL (1.0 MICROMETER MINIMUM.)
4	シェル SHELL	ステンレス鋼 SUS301(t=0.1) STAINLESS STEEL SUS301(t=0.1)	基板実装部：金めっき (0.02μm MIN.) 下地：ニッケルめっき (0.5μm MIN.) NAIL AREA : GOLD PLATING (0.02 MICROMETER MINIMUM.) UNDERPLATE : NICKEL OVERALL (0.5 MICROMETER MINIMUM.)
5	スプリング SPRING	ピアノ線 SWP	全面：ニッケルめっき (3.0μm MIN.) NICKEL OVERALL (3.0 MICROMETER MINIMUM.)
6	ピン PIN	ステンレス鋼 SUS304 STAINLESS STEEL SUS304	
7	ディテクト レバー DETECT LEVER	燐青銅 C52100(t=0.15) PHOSPOHR BRONZE C52100(t=0.15)	接触部：金めっき (0.2μm MIN.) 基板実装部：金めっき 下地：ニッケルめっき CONTACT AREA : GOLD PLATING (0.2 MICROMETER MINIMUM.) NAIL AREA : GOLD PLATING UNDERPLATE : NICKEL OVERALL
8	ディテクト スイッチ DETECT SWITCH	燐青銅 C52100(t=0.15) PHOSPOHR BRONZE C52100(t=0.15)	接触部：金めっき (0.2μm MIN.) 基板実装部：金めっき 下地：ニッケルめっき CONTACT AREA : GOLD PLATING (0.2 MICROMETER MINIMUM.) NAIL AREA : GOLD PLATING UNDERPLATE : NICKEL OVERALL

GENERAL TOLERANCES: (UNLESS SPECIFIED) 一般公差		THIS DRAWING CONTAINS INFORMATION THAT IS PROPRIETARY TO MOLEX ELECTRONIC TECHNOLOGIES, LLC AND SHOULD NOT BE USED WITHOUT WRITTEN PERMISSION	
10 UNDER 未満	±0.2	mm	SCALE 1:1
10 OVER 以上	30 UNDER 未満	±0.25	GENERAL TOLERANCES (UNLESS SPECIFIED)
30 OVER 以上	±0.3	ANGULAR TOL ± °	CURRENT REV DESC:
ANGLE 角度	±3°	4 PLACES ±	EC NO: 635207
		3 PLACES ±	DRWN: YSEKI01 2020/04/02
		2 PLACES ±	CHK'D: MSASAO 2020/04/02
		1 PLACE ±	APPR: YNAITO 2020/04/02
		0 PLACES ±	INITIAL REVISION:
			DRWN: YGOTO 2011/12/13
			APPR: YOITO 2011/12/16
		DRAFT WHERE APPLICABLE MUST REMAIN WITHIN DIMENSIONS	THIRD ANGLE PROJECTION
			DRAWING A3-SIZE
			SERIES 503398
			MATERIAL NUMBER
			CUSTOMER GENERAL MARKET
			SHEET NUMBER 3 OF 3

molex

MICRO SD CONN.
PUSH/PUSH & NORMAL SUPER-SMALL TYPE

PRODUCT CUSTOMER DRAWING

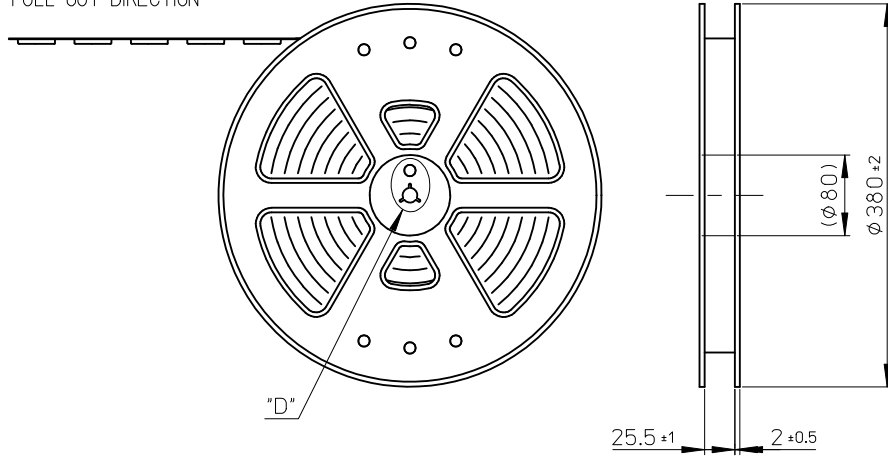
DOCUMENT NUMBER	DOC TYPE	DOC PART	REVISION
SD-503398-003	PSD	001	A3

DOCUMENT STATUS P1 RELEASE DATE 2020/04/02 04:22:19

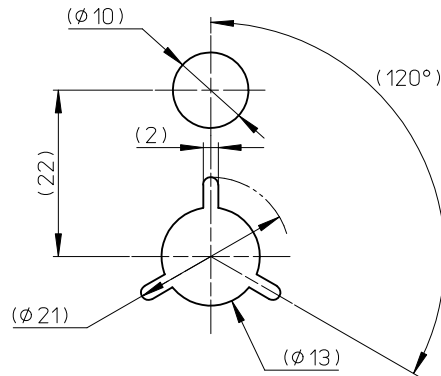
NOTES

- 製品詳細寸法については、SD 図面を参照下さい。
RE DETAILED DIMENSION, SEE SALES DRAWING.
- 梱包数量：2400個／リール
NUMBER OF CONNECTORS：2400 PCS/REEL.
- リードテープ長さ LEAD TAPE LENGTH.

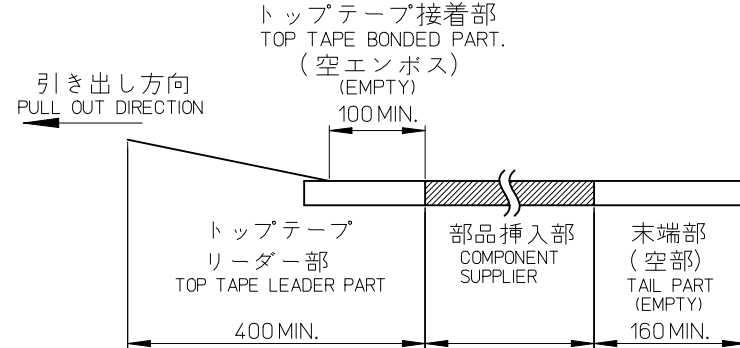
引き出し方向
PULL OUT DIRECTION



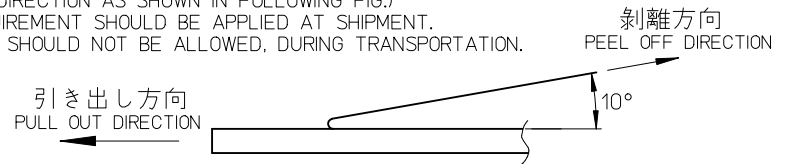
"D"



DETAIL "D"



- トップテープの剥離強度：JIS C0806-3に準拠(剥離方向は下図参照)
尚、本規格値は出荷時に適用。(但し、輸送時に剥離が発生しないこと。)
PEELING OFF FORCE OF TOP TAPE：BASED UPON JIS C0806-3
(PEELING DIRECTION AS SHOWN IN FOLLOWING FIG.)
THIS REQUIREMENT SHOULD BE APPLIED AT SHIPMENT.
PEEL OFF SHOULD NOT BE ALLOWED, DURING TRANSPORTATION.

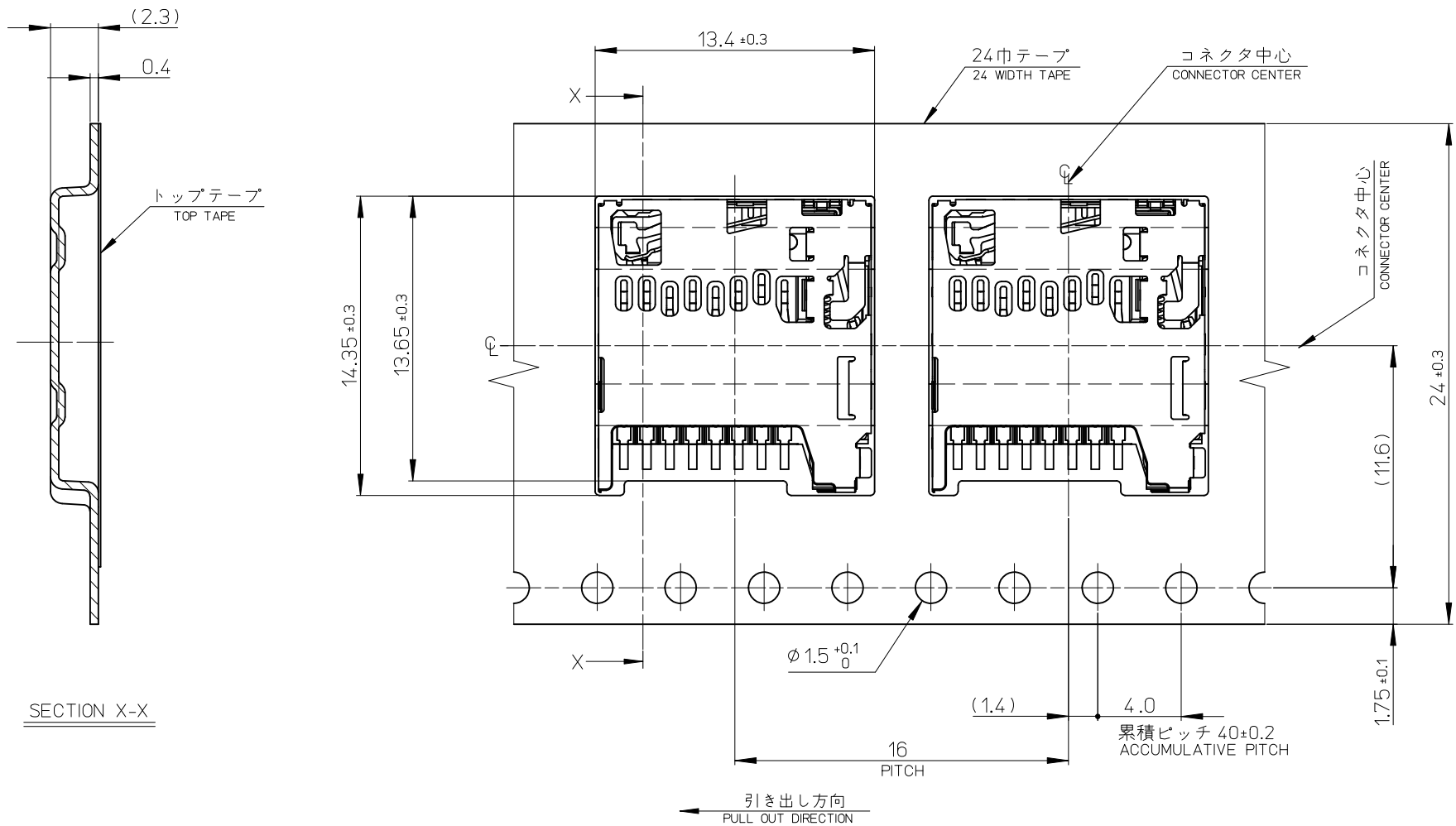


- 材料 MATERIAL
キャリアテープ (CARRIER TAPE)：ポリスチレン (POLYSTYRENE)
トップテープ (TOP TAPE)：PET, PE, PEF
リール (REEL)：ポリスチレン (PS) <リサイクル材含む>
POLYSTYRENE (PS) <RECYCLE MATERIAL CONTAINED>

503398-1892	8
EMBOSSED PACKAGE	極数
オーダー番号 ORDER NO.	CIRCUITS
CONNECTOR SERIES No. 503398-1821	

RELEASED EC NO.: J2012-0534 DRWN: YGOTO 2011/12/13 CHKD: MTOMITA 2011/12/13 APPR: YOITO 2011/12/16 REV: 0	GENERAL TOLERANCES (UNLESS SPECIFIED)		DIMENSION STYLE MM ONLY		SCALE 1:1	DESIGN UNITS METRIC	THIRD ANGLE PROJECTION
	10 UNDER	±0.2	DRAWN BY YGOTO	DATE 2011/12/13	TITLE EMBOSSED TAPE PACKAGE FOR 503398-18**		
	10 OVER 30 UNDER	±0.25	CHECKED BY MTOMITA	DATE 2011/12/13	MATERIAL NO. SEE CHART		
	30 OVER	±0.3	APPROVED BY YOITO	DATE 2011/12/16	DOCUMENT NO. SD-503398-004		
ANGULAR ±1 °		DRAFT WHERE APPLICABLE MUST REMAIN WITHIN DIMENSIONS		SIZE A3	SHEET NO. 1 OF 2		

10 9 8 7 6 5 4 3 2 1



SECTION X-X

RELEASED EC NO: J2012-0534 DRWN: YGOTO CHKD: MTOMITA APPR: YOITO 0	2011/12/13 2011/12/13 2011/12/16	GENERAL TOLERANCES (UNLESS SPECIFIED)		DIMENSION STYLE MM ONLY		SCALE ---	DESIGN UNITS METRIC	THIRD ANGLE PROJECTION		
	DESCRIPTION 10 UNDER 10 OVER 30 UNDER 30 OVER	±0.2 ±0.25 ±0.3	DRAWN BY YGOTO		DATE 2011/12/13		TITLE EMBOSSED TAPE PACKAGE FOR 503398-18**			
	10 OVER 30 UNDER 30 OVER	±0.25 ±0.3	CHECKED BY MTOMITA		DATE 2011/12/13		MOLEX INCORPORATED			
	ANGULAR ±1 ° DRAFT WHERE APPLICABLE MUST REMAIN WITHIN DIMENSIONS	±1 °	APPROVED BY YOITO		DATE 2011/12/16		MATERIAL NO. SEE CHART		DOCUMENT NO. SD-503398-004	
	REV 0	SIZE A3	THIS DRAWING CONTAINS INFORMATION THAT IS PROPRIETARY TO MOLEX INCORPORATED AND SHOULD NOT BE USED WITHOUT WRITTEN PERMISSION						SHEET NO. 2 OF 2	