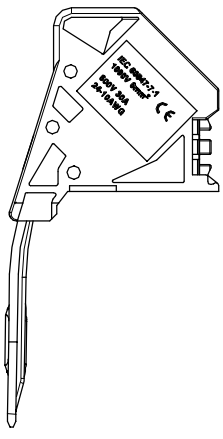
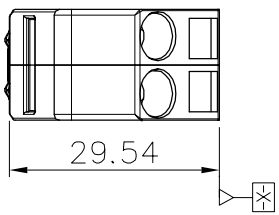
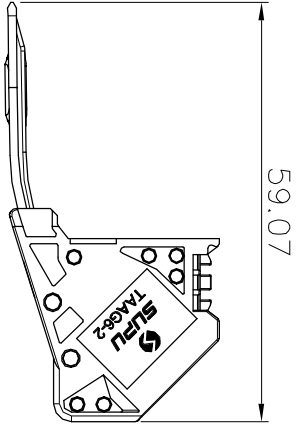
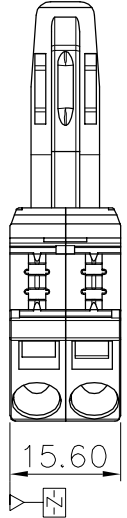


REVISION RECORD			
REV	ECN	DESCRIPTION	DATE



Connection method:  
 1. For Solid wire, peel wire in right length, fix in by rated torque force.  
 2. For flexible wire, connect directly after peeling in right length, or furred on wire and fix in by rated torque force.  
 Attention: Torque force should be equable. No explosive power.

Transmittal, reproduction, dissemination and/or editing of this document as well as utilization of its contents and communication thereof to others without express authorization are prohibited.

未经允许禁止传输、复制、编辑该文档，以及利用其内容进行交流

NOTES:  
 UL/CUL Standard  
 1. Conductor cross section : 24~10AWG  
 2. Rated Voltage/Current :

Use group	B	C	D
Rated voltage(V)	600	600	
Rated current(A)	30	30	

IEC Standard  
 1. Conductor cross section :

Wire range(Solid/Stranded)	0.2-6mm <sup>2</sup>	0.2-6mm <sup>2</sup>	0.2-6mm <sup>2</sup>
Solid	0.2-6mm <sup>2</sup>	0.2-6mm <sup>2</sup>	0.2-6mm <sup>2</sup>
Stranded	0.2-6mm <sup>2</sup>	0.2-6mm <sup>2</sup>	0.2-6mm <sup>2</sup>
Stranded with ferrules	0.2-4mm <sup>2</sup>	0.2-4mm <sup>2</sup>	0.2-4mm <sup>2</sup>
Stranded with plastic sleeve	0.2-4mm <sup>2</sup>	0.2-4mm <sup>2</sup>	0.2-4mm <sup>2</sup>
Stranded with ferrules with plastic sleeve	0.2-4mm <sup>2</sup>	0.2-4mm <sup>2</sup>	0.2-4mm <sup>2</sup>

2. Rated Voltage/Current :

Surge voltage category	III
Pollution degree	3
Rated surge voltage(kV)	8
Rated voltage(V)	1000
Rated current(A)	41

Material:

Insulator	PA66	UL94 V-0
Conductor	Copper alloy	Sn plated
Spring	Stainless steel	

General information:  
 1. Dimension shall be interpreted per ASME Y14.5-2009  
 2. Stripping length : 12-13mm  
 3. Operating temperature: -40°C~+105°C  
 4. RoHS Compliance  
 5. Undimensioned Tolerances:

Pitch	Range	In mm	Nominal Dimension	Range	In mm	Tolerance
Over	6	10	30	60	100	0.1/10
To	10	10	60	100	150	
Over	10	24	30	60	150	
To	10	24	30	60	150	
±0.15	+0.20	±0.30	±0.30	±0.50	+0.70	±1.00
						±1.30
						±2°

HOW TO ORDER:

TAAG6-2-XX  
 Series No.      Color:  
 GY: Grey

订货号 Order No.	TAAG6-2-XX	名称 Name	TAAG6-2-XX 分线端子	未注公差 Tolerance	表面 Surface
项目 Item	签字 Signature	图号 Drawing No.	/	版本号 Revision Number	VDI21
设计 Design	cjs	材料 Material	Notes	重量 Weight	比例 Scale
审核 Check	df	物料号 Item No.	411003512	第1页/共1页 1 of 1	1:1
工艺 Process	-				
标准化 Unity	-				
批准 Approve	lw1				
	04/07/21				
	04/07/21				

NINGBO SUPU ELECTRONICS CO.,LTD.

宁波波普电子有限公司