

NOTES:

1.MATERIALS:

1-1.HOUSING: SEE TABLE ,GLASS FIBER FILLED UL94V-0,  
COLOR: SEE TABLE.

1-2.CONTACT: SEE TABLE

2.PLATING:

2-1.CONTACT AREA: GOLD, THICKNESS : SEE TABLE .

2-2.SOLDER TAIL: 100 MICROINCH MIN. TIN PLATING.

2-3.UNDER PLATING: 50 MICROINCH MIN. NICKEL PLATING OVERALL.

3.WEEK CODE: XX(YEAR) XX(WEEK) X(LOCATION).

4.PRODUCT SPECIFICATION REFER TO PS-87715-200.

5.PACKAGING SPECIFICATION REFER TO PK-87715-207.

6.TEST SUMMARY:REFER TO TS-87715-207.

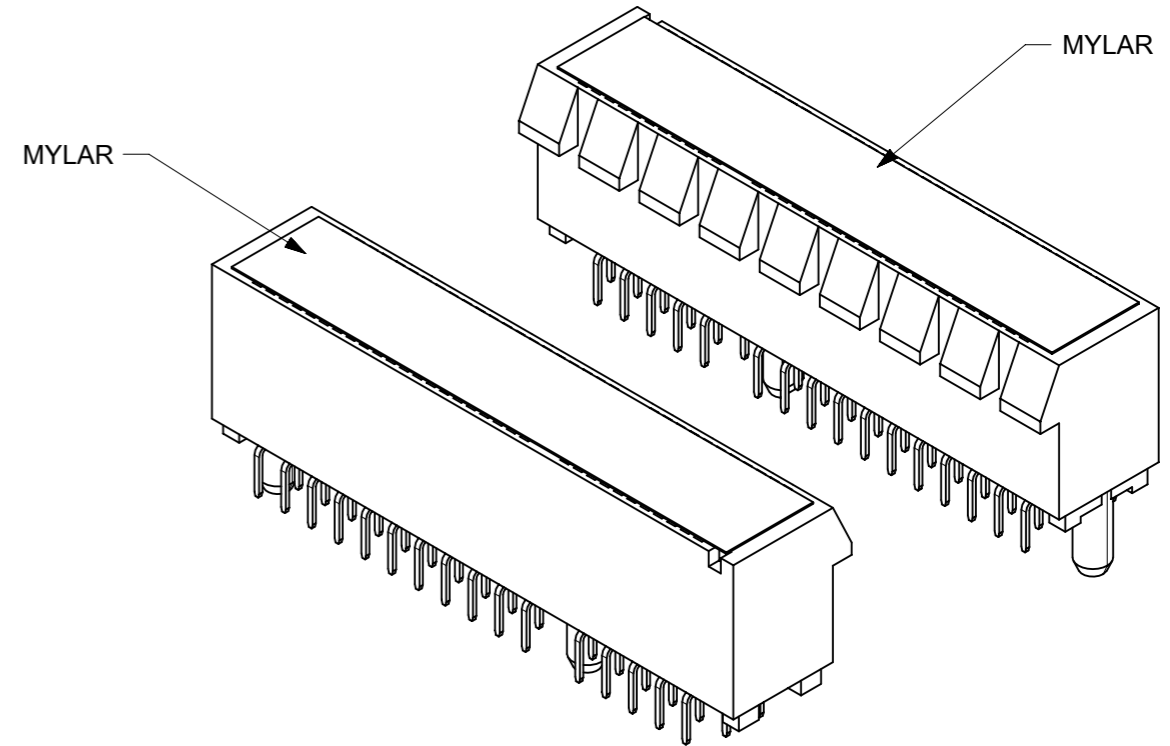
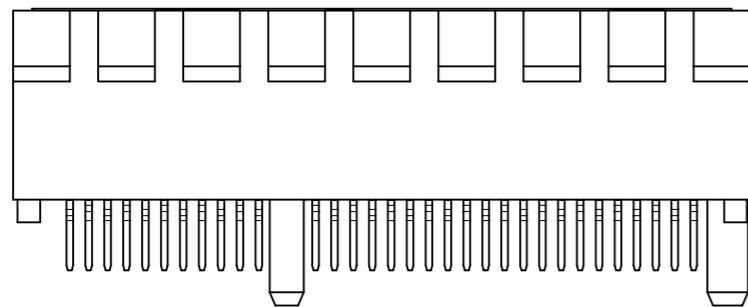
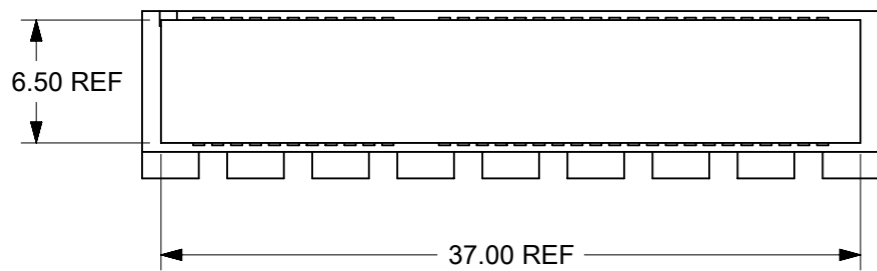
7.LEAD FREE AND ROHS COMPLIANCE PRODUCT.

CONNECTOR LINK WIDTH	# POS REF	N	DIM "A"	DIM "B"	DIM "C"
X1	36	6	7.65	25.00	9.15
X4	64	20	21.65	39.00	23.15
X8	98	37	38.65	56.00	40.15
X16	164	70	71.65	89.00	73.15

PCB THK (REF)	DIM "D"
1.60	2.30
1.58	2.54
2.36	3.00

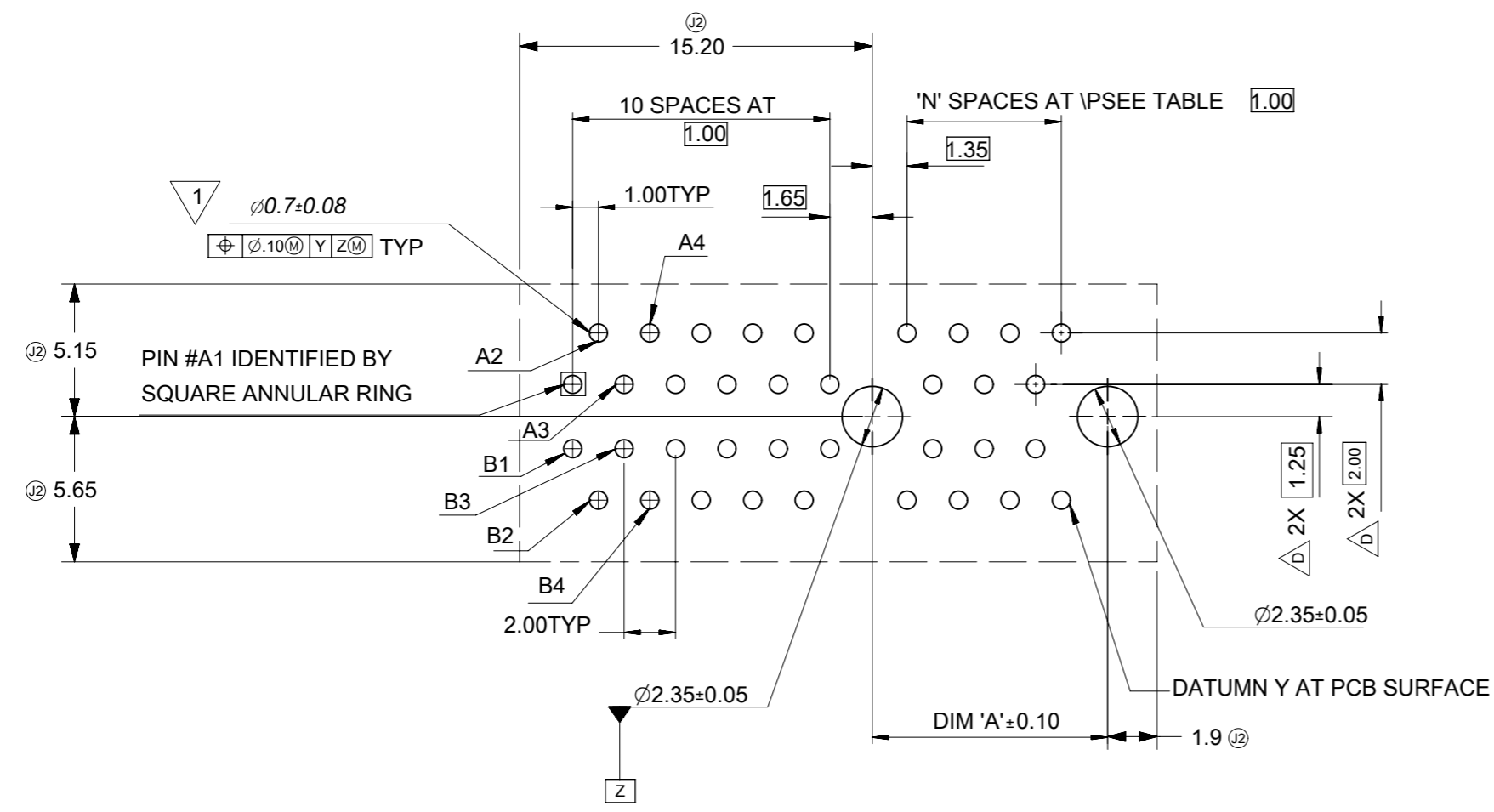
THIS DRAWING CONTAINS INFORMATION THAT IS PROPRIETARY TO MOLEX ELECTRONIC TECHNOLOGIES, LLC AND SHOULD NOT BE USED WITHOUT WRITTEN PERMISSION									
DIMENSION UNITS <b>mm</b>		SCALE <b>NTS</b>		CURRENT REV DESC: OBSOLETE PART NUMBER AS PER PCN#509451				<b>molex</b>	
GENERAL TOLERANCES (UNLESS SPECIFIED)									
								PCI EXPRESS EDGE CARD CONNECTOR (LEAD FREE VERSION)	
								PRODUCT CUSTOMER DRAWING	
								DOCUMENT NUMBER	
								SD-87715-207	
								DOC TYPE	
								PSD	
								DOC PART	
								001	
								REVISION	
								J3	
DRAFT WHERE APPLICABLE MUST REMAIN WITHIN DIMENSIONS		THIRD ANGLE PROJECTION		DRAWING		SERIES		MATERIAL NUMBER	
				A3-SIZE		87715		SEE TABLE	
								CUSTOMER	
								GENERAL MARKET	
								SHEET NUMBER	
								1 OF 5	

MOLEX P/N	CIRCUIT SIZE	HOUSING MATERIAL	HOUSING COLOR	TERMINAL MATERIAL	CONTACT PLATING	SOLDER TAIL "D" LENGTH	NOTES
87715-9154	64	NYLON46	BLACK	PHOSPHOR BRONZE	30 MICROINCH	2.54	WITH MYLAR



THIS DRAWING CONTAINS INFORMATION THAT IS PROPRIETARY TO MOLEX ELECTRONIC TECHNOLOGIES, LLC AND SHOULD NOT BE USED WITHOUT WRITTEN PERMISSION											
DIMENSION UNITS		SCALE		CURRENT REV DESC: OBSOLETE PART NUMBER AS PER PCN#509451				<b>molex</b>		PCI EXPRESS EDGE CARD CONNECTOR (LEAD FREE VERSION)	
mm		NTS									
GENERAL TOLERANCES (UNLESS SPECIFIED)						EC NO: 686785					
						DRWN: SUGEEB		2021/09/24			
						CHK'D: GGA		2022/02/28			
						APPR: GGA		2022/02/28			
						INITIAL REVISION:					
						DRWN: TOM		2004/07/20		DOCUMENT NUMBER	
						APPR: WILSON		2004/07/20		SD-87715-207	
						ANGULAR TOL ± 3.0°				DOC TYPE	
						DRAFT WHERE APPLICABLE MUST REMAIN WITHIN DIMENSIONS		THIRD ANGLE PROJECTION		DOC PART	
								DRAWING		REVISION	
								A3-SIZE		001 J3	
								SERIES		SHEET NUMBER	
								87715		2 OF 5	
								MATERIAL NUMBER		CUSTOMER	
								SEE TABLE		GENERAL MARKET	

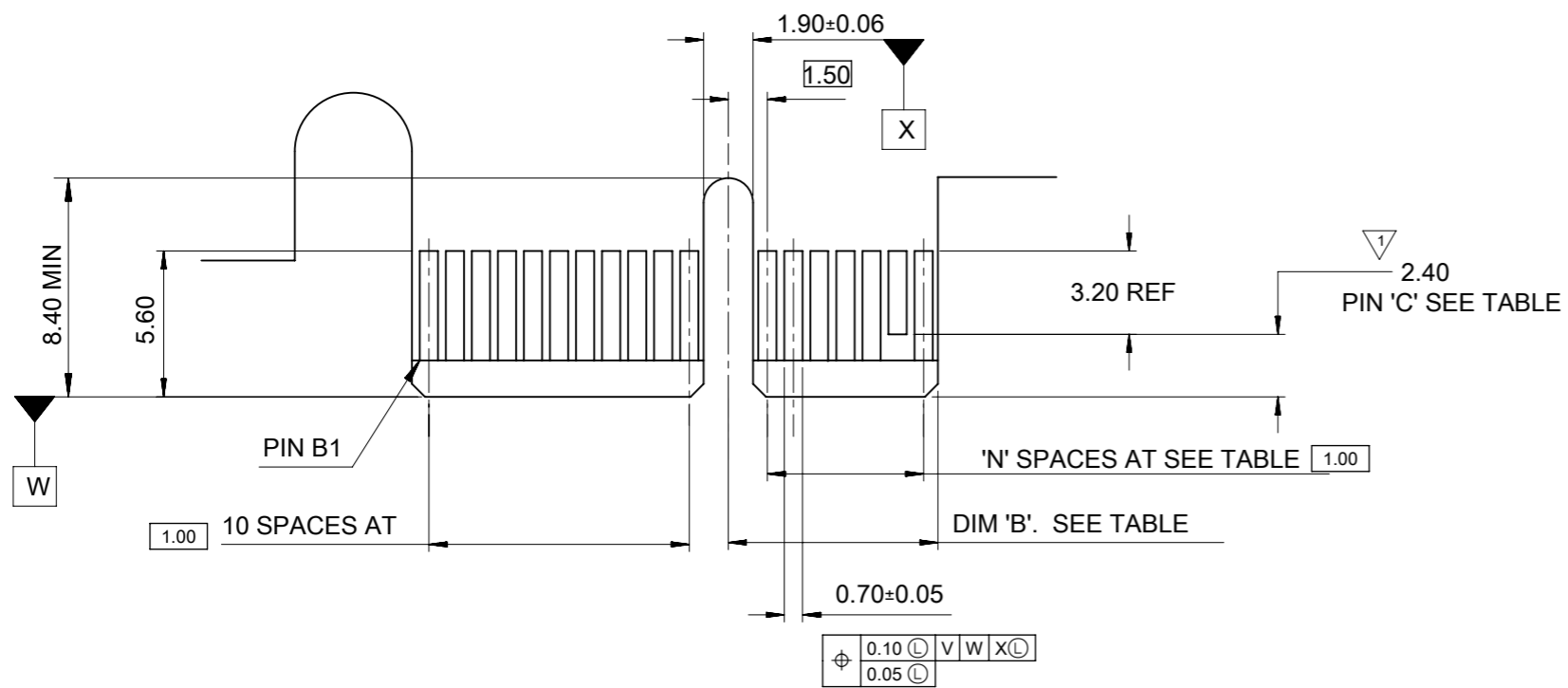
DOCUMENT STATUS	P1	RELEASE DATE	2022/02/28	11:53:53
-----------------	----	--------------	------------	----------



1 THE HORIZONTAL AXIS FOR THE HOLE PATTERN IS ESTABLISHED BY A LINE THROUGH THE CENTER OF THE TWO  $\phi 2.35$  HOLES. THE VERTICAL AXIS IS 90° TO THE HORIZONTAL AXIS. THROUGH THE CENTER OF DATUM Z

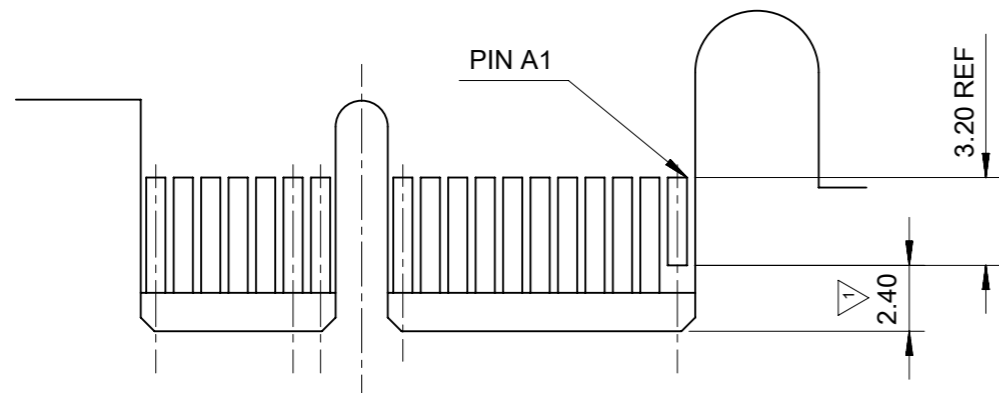
CONNECTOR LINK WIDTH	# POS REF	N	DIM 'A'
X1	36	6	9.15
X4	64	20	23.15
X8	98	37	40.15
X16	164	70	73.15

THIS DRAWING CONTAINS INFORMATION THAT IS PROPRIETARY TO MOLEX ELECTRONIC TECHNOLOGIES, LLC AND SHOULD NOT BE USED WITHOUT WRITTEN PERMISSION									
DIMENSION UNITS <b>mm</b>		SCALE <b>NTS</b>		CURRENT REV DESC: OBSOLETE PART NUMBER AS PER PCN#509451				<b>molex</b>	
GENERAL TOLERANCES (UNLESS SPECIFIED)				EC NO: 686785 DRWN: SUGEEB 2021/09/24 CHK'D: GGA 2022/02/28 APPR: GGA 2022/02/28					
				INITIAL REVISION:				DOCUMENT NUMBER	
4 PLACES ±		±		DRWN: TOM 2004/07/20				SD-87715-207	
3 PLACES ±		±		APPR: WILSON 2004/07/20				PSD 001 J3	
2 PLACES ±		0.25 ±		ANGULAR TOL ± 3.0°				DOC TYPE DOC PART REVISION	
1 PLACE ±		0.25 ±		DRAFT WHERE APPLICABLE MUST REMAIN WITHIN DIMENSIONS				GENERAL MARKET	
0 PLACES ±		±		THIRD ANGLE PROJECTION		DRAWING		SHEET NUMBER	
				A3-SIZE		SERIES 87715		3 OF 5	



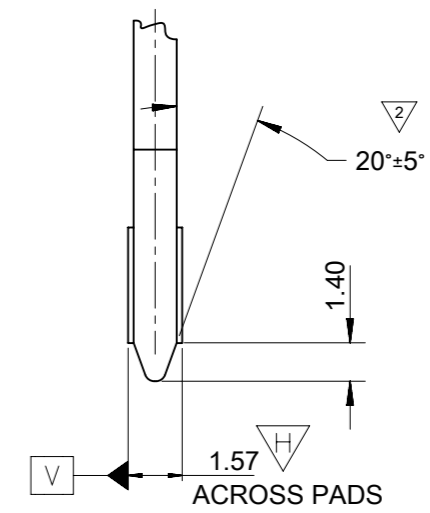
← I/O PANEL DIRECTION

PRIMARY (COMPONENT) SIDE



I/O PANEL DIRECTION →

SECONDARY (SOLDER) SIDE



- 1 NO TIE BAR PERMITTED FROM CARD EDGE TO LEADING EDGE OF PAD FOR PINS A1 AND "C".
- 2 CHAMFER EDGES MUST BE FREE OF CUTTING BURRS.
- 3. TOLERANCE: .XX±.13

CONNECTOR LINK WIDTH	# POS REF	N	DIM 'B'	'C' <sup>1</sup>
X1	36	6	8.15	B17
X4	64	20	22.15	B17, B31
X8	98	37	39.15	B17, B31 B48
X16	164	70	72.15	B17, B31 B48, B81

THIS DRAWING CONTAINS INFORMATION THAT IS PROPRIETARY TO MOLEX ELECTRONIC TECHNOLOGIES, LLC AND SHOULD NOT BE USED WITHOUT WRITTEN PERMISSION											
DIMENSION UNITS <b>mm</b>		SCALE <b>NTS</b>		CURRENT REV DESC: OBSOLETE PART NUMBER AS PER PCN#509451				<b>molex</b>		PCI EXPRESS EDGE CARD CONNECTOR (LEAD FREE VERSION)	
GENERAL TOLERANCES (UNLESS SPECIFIED)				EC NO: 686785 DRWN: SUGEEB 2021/09/24 CHK'D: GGA 2022/02/28 APPR: GGA 2022/02/28							
4 PLACES ±		MM		INCH		INITIAL REVISION:		DOCUMENT NUMBER		DOC TYPE	
3 PLACES ±		0.25		±		DRWN: TOM 2004/07/20		SD-87715-207		PSD	
2 PLACES ±		0.25		±		APPR: WILSON 2004/07/20		001		J3	
1 PLACE ±		0.25		±		ANGULAR TOL ± 3.0°		GENERAL MARKET		SHEET NUMBER	
DRAFT WHERE APPLICABLE MUST REMAIN WITHIN DIMENSIONS		THIRD ANGLE PROJECTION		DRAWING		SERIES		SEE TABLE		4 OF 5	

MOLEX P/N	CIRCUIT SIZE	HOUSING MATERIAL	HOUSING COLOR	TERMINAL MATERIAL	CONTACT PLATING	SOLDER TAIL "D" LENGTH	NOTES
87715-9100	64	NYLON46	BLACK	PHOSPHOR BRONZE	GOLD FLASH	2.54	WITHOUT MYLAR
87715-9105					15 MICROINCH	3.00	
87715-9106					30 MICROINCH	2.54	

MOLEX P/N	CIRCUIT SIZE	HOUSING MATERIAL	HOUSING COLOR	TERMINAL MATERIAL	CONTACT PLATING	SOLDER TAIL "D" LENGTH	NOTES
87715-9202	98	NYLON46	BLACK	PHOSPHOR BRONZE	15 MICROINCH	2.54	WITHOUT MYLAR
87715-9205					15 MICROINCH	3.00	
87715-9206					30 MICROINCH	2.54	

THIS DRAWING CONTAINS INFORMATION THAT IS PROPRIETARY TO MOLEX ELECTRONIC TECHNOLOGIES, LLC AND SHOULD NOT BE USED WITHOUT WRITTEN PERMISSION									
DIMENSION UNITS		SCALE		CURRENT REV DESC: OBSOLETED PART NUMBER AS PER PCN#509451				<b>molex</b>	
mm		NTS							
GENERAL TOLERANCES (UNLESS SPECIFIED)				EC NO: 686785		2021/09/24		PCI EXPRESS	
				DRWN: SUGEEB		2022/02/28		EDGE CARD CONNECTOR (LEAD FREE VERSION)	
				CHK'D: GGA		2022/02/28		PRODUCT CUSTOMER DRAWING	
				APPR: GGA		2022/02/28			
				INITIAL REVISION:				DOCUMENT NUMBER	
				DRWN: TOM		2004/07/20		SD-87715-207	
				APPR: WILSON		2004/07/20		DOC TYPE	
				ANGULAR TOL ± 3.0°				PSD	
								DOC PART	
								001	
								REVISION	
								J3	
DRAFT WHERE APPLICABLE MUST REMAIN WITHIN DIMENSIONS				THIRD ANGLE PROJECTION		DRAWING		SERIES	
						A3-SIZE		87715	
						MATERIAL NUMBER		CUSTOMER	
						SEE TABLE		GENERAL MARKET	
								SHEET NUMBER	
								5 OF 5	

DOCUMENT STATUS	P1	RELEASE DATE	2022/02/28	11:53:53
-----------------	----	--------------	------------	----------