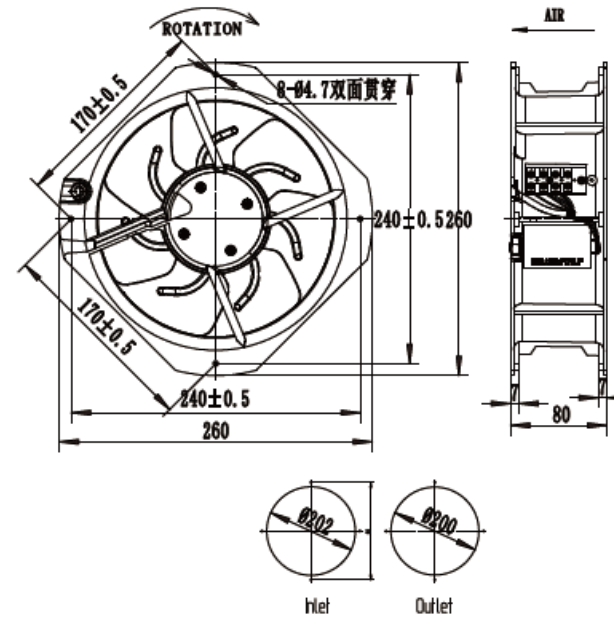


AC axial fan

交流轴流风机



- 尺寸 Size: 225mm × 225mm × 80mm
- 风量 Airflow: 1014-1077m³/hr
597-634CFM
- 重量 Weight: 2112g
- 噪音 Noise: 59-61dBA
- 风叶 Impeller Material: Metal
- 外框 Frame: Aluminum Alloy
- 端子 Terminals: 0.5mm
- 引线 Lead Wire: Teflon 22#UL 1332(Optional)
- 马达 Motor: Capacitor-Run And External Rotor Induction Motor
- 温度范围 Operating Temperature: -10°C~+105°C

产品型号 Model	轴承型式 Bearing System	电压 Voltage VAC	频率 Freq. Hz	电流 Current A	功率 Power W	转速 Speed RPM	噪音 Noise dBA	风量 Air Flow		相数 Phase	电容 Capacitor
								M3/hr	CFM		
TG22580HA _A B-C-7P	Ball	100/125	50/60	0.68/0.65	67/77	2700/3100	59/61	1014/1077	597/634	1	4.0uf/250v
TG22580HA _B B-C-7P		200/240	50/60	0.35/0.28	62/80	2700/3100	59/61	1014/1077	597/634	1	2.2uf/400v
TG22580HA _A B-7P		380/420	50/60	0.25	65	2700/3100	59/61	1014/1077	597/634	3	—
TG22580HA _B B-C-7P		380/420	50/60	0.25	65	2700/3100	59/61	1014/1077	597/634	1	1uf/630v

Fan Accessories

