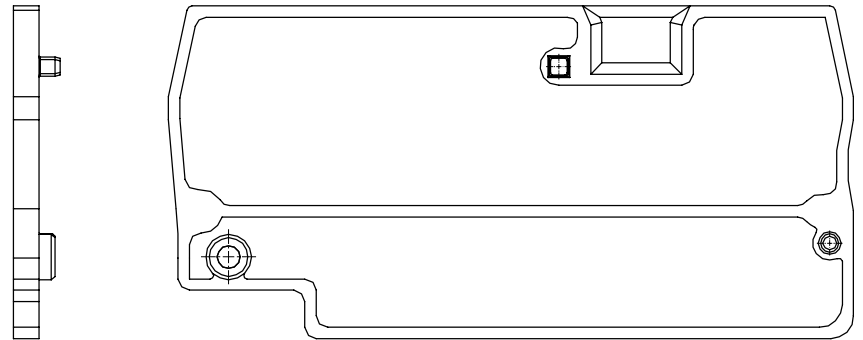
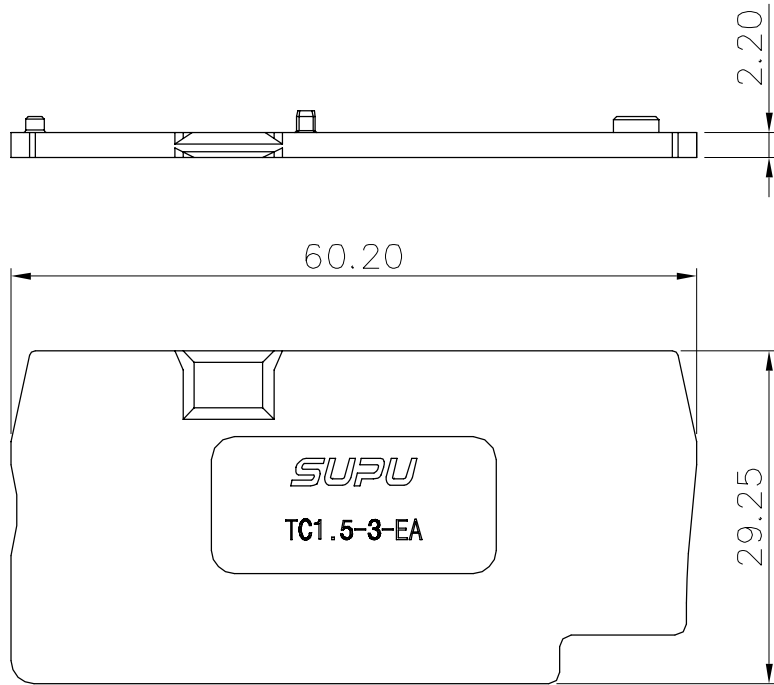


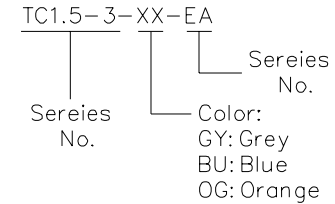
Transmittal, reproduction, dissemination and/or editing of this document as well as utilization of its contents and communication thereof to others without express authorization are prohibited.

未经允许禁止传输、复制、编辑该文档，以及利用其内容进行交流

REVISION RECORD				
REV	ECN	DESCRIPTION	DRFT	DATE
△	DCN0006226	图纸更新	董方正	2020/1/07



HOW TO ORDER:



NOTES:

Material:

Insulator	PA66	UL94 V-0
-----------	------	----------

General information:

- 1.Dimension shall be interpreted per ASME Y14.5-2009
- 2.Operating temperature: -40°C~+105°C
- 3.RoHS Compliance
- 4.Undimensioned Tolerances:

Pitch Range In mm		Nominal Dimension Range In mm							-	∩	∇
TO	Over TO	Over TO	TO	Over TO	Over TO	Over TO	Over TO	0.1/10			
6	10	10	24	30	60	100	150				
±0.15	±0.20	±0.30	±0.30	±0.50	±0.70	±1.00	±1.30	±2'			

借通用件登记
Common Part

原图号
Old Draw. No.

底图总号
Assembly No.

订货号 Order No.	TC1.5-3-XX-EA		名称 Name	TC系列笼式弹簧 1.5mm ² 一进两出 接线端子端板	未注公差 Tolerance		表面 Surface	
项目 Item	签字 Signature	日期 Date	图号 Drawing No.	PRM000989	Tolerances Table		VDI21	
设计 Design	dfz	01/06/20	材料 Material	Notes	阶段标记 Progress	版本 Revision	重量 Weight	比例 Scale
审核 Check	cw	01/06/20	物料号 Item No.	411514004	M	1	/	1:1
工艺 Process	-	-		411514005	第1页/共1页 1 of 1		mm	
标准化 Unify	-	-		411514006	SUPU 宁波速普电子有限公司 NINGBO SUPU ELECTRONICS CO.,LTD.			
批准 Approve	lwl	01/06/20						