

Saft's Primary Lithium Cells

Key Features

Examples of individual cell tabbing arrangements

Objective

This document describes the marketing requirements for the various cell finishes used in combination with the existing 1/2AA, AA, 2/3A and A size Li-SOCl₂ cells manufactured under the Saft brand name.

Cell finish types and main uses

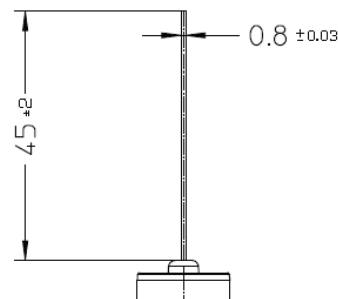
To ensure the mechanical and electrical interfaces between Li-SOCl₂ cells and the PCB of end equipments, various cell finishes are proposed. The designation of the main cells finishes being part of Saft's range are indicated in the following picture.



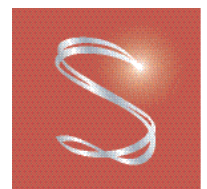
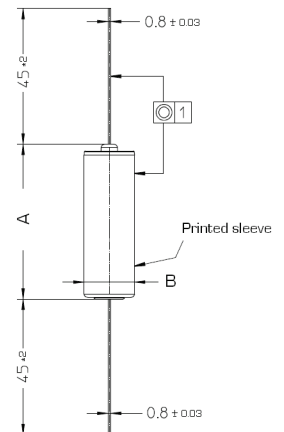
CNA Finish

CNA Finished Cell Mechanical Interfaces			
Cell generic name	Cell made in	A	B
LS 14250	PRC, F, UK	25.0 +/- 0.5	14.5 +/- 0.3
LS 14500	PRC, F, UK	50.3 +/- 0.5	14.5 +/- 0.3
LS 17330	UK	33.1 +/- 0.3	16.1 +0.2/-0.1
LS 17500	F, UK	50.7 +/- 0.5	17.0 +/- 0.3

CNA pin definition



Mechanical dimensions of CNA finished cells



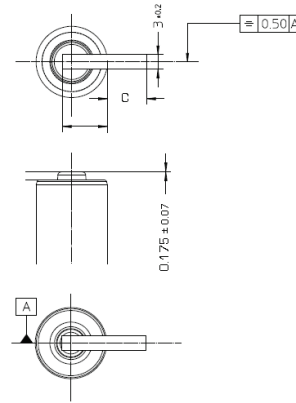
SAFT

Soft Primary Lithium Cells

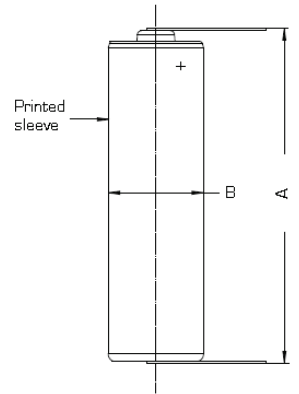
CNR Finish

CNR Finished Cell Mechanical Interfaces				
Cell generic name	Cell made in	A	B	C
LS 14250	PRC, F, UK	25.2 +/- 0.8	14.5 +/- 0.3	9.7 +/- 0.5
LS 14500	PRC, F, UK	50.55 +/- 0.6	14.5 +/- 0.3	9.7 +/- 0.5
LS 17330	UK	33.6 + 1/- 0	16.1 +0.2/-0.1	9.0 +/- 0.5
LS 17500	F, UK	51.1 +/- 0.5	17.0 +/- 0.3	8.5 +/- 0.5

CNR pin definition



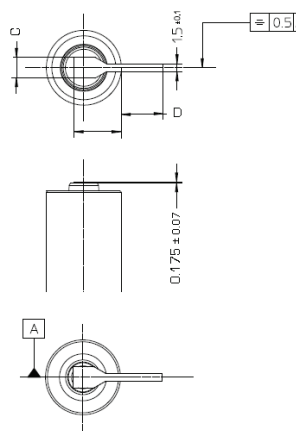
Mechanical dimensions of CNR finished cells



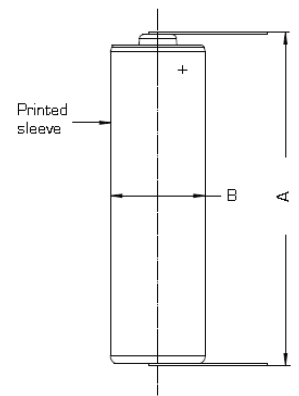
CN Finish

CN Finished Cell Mechanical Interfaces				
Cell generic name	Cell made in	A	B	D
LS 14250	PRC, F, UK	25.2 +/- 0.8	14.5 +/- 0.3	8 +/- 0.5
LS 14500	PRC, F, UK	50.55 +/- 0.6	14.5 +/- 0.3	8 +/- 0.5
LS 17330	UK	33.6 + 1/- 0	16.1 +0.2/-0.1	TBD
LS 17500	F, UK	51.1 +/- 0.5	17.0 +/- 0.3	6.6 +/- 0.5

CN pin definition



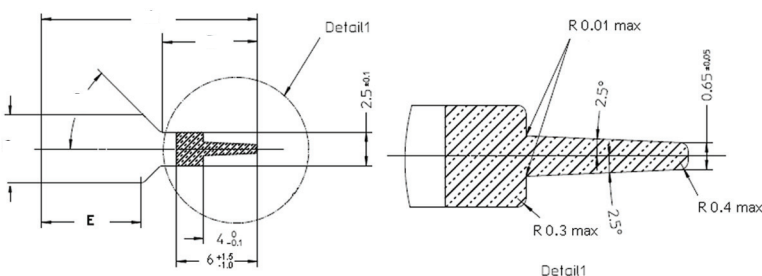
Mechanical dimensions of CN finished cells



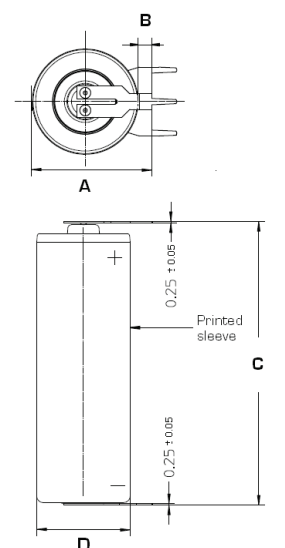
PF Finish

PF Finished Cell Mechanical Interfaces					
Cell generic name	Cell made in	A	B	C	D
LS 14250	PRC, F, UK	15.1 +/- 0.6	(0.7 +/- 0.5)	25,65 +0,35/-0,65	14.5 +/- 0.3
LS 14500	PRC, F, UK	15.1 +/- 0.6	(0.7 +/- 0.5)	51,05 +0,75/-0,65	14.5 +/- 0.3
LS 17330	UK	15.9 +/- 0.6	(0.2 +/- 0.5)	33.6 + 1/- 0	16.1 + 0.2/- 0.1
LS 17500	F, UK	17.6 + 0.6/- 0.5	(0.7 +/- 0.5)	51,05 +0,75/-0,65	17.0 +/- 0.3

PF single pin definition



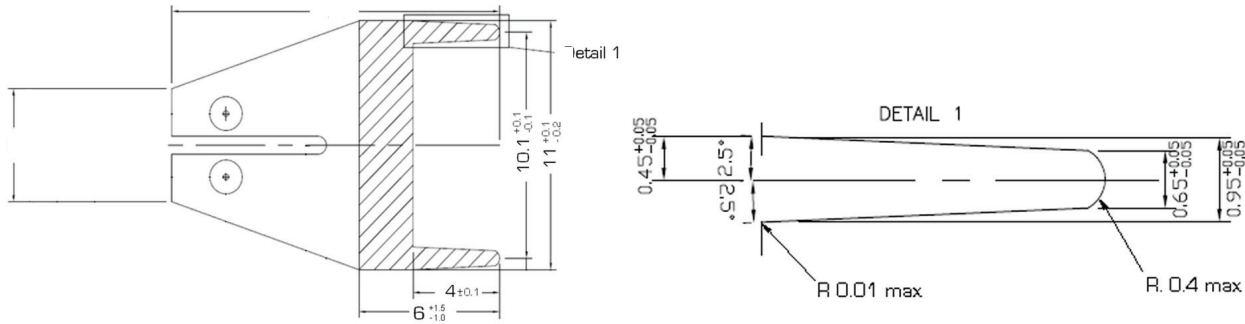
Mechanical dimensions of PF finished cells



Saft Primary Lithium Cells

PF Finish (continued)

PF double pin definition



FL Finish

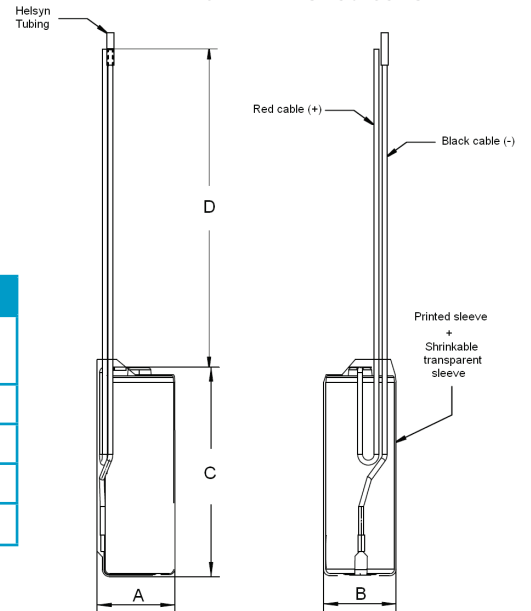
Cable Type for FL Finishes

Cell generic name	Cell made in	Positive and negative cables
LS 14250	PRC, F, UK	AWG24 KY 30-04
LS 14500	PRC, F, UK	AWG22 KY 30-05
LS 17330	UK	TBD
LS 17500	F, UK	TBD

FL Finished Cell Mechanical Interfaces

Cell generic name	Cell made in	A	B	C	D
LS 14250	PRC, F, UK	17.0 max	15.0 max	25.7 max	114 +/- 10
LS 14500	PRC, F, UK	17.0 max	15.0 max	50.7 max	90 +/- 10
LS 17330	UK	TBD	TBD	TBD	TBD
LS 17500	F, UK	20.0 max	17.4 max	54.0 max	80 +/- 5

Mechanical dimensions of FL finished cells



Saft
 12, rue Sadi Carnot
 93170 Bagnolet - France
 Tel.: +33 05 57 10 64 00
 Fax: +33 05 57 10 66 70
 www.saftbatteries.com

Doc N° 54084-2-04-13
 Edition: April 2013
 Information in this document is subject to change without notice and becomes contractual only after written confirmation by Saft.
 Published by the Communications Department
 Photo credit: Saft