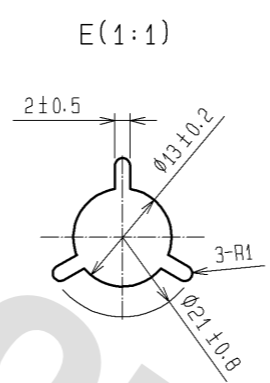
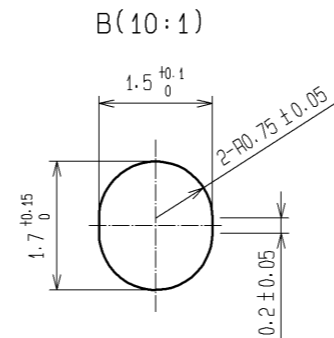
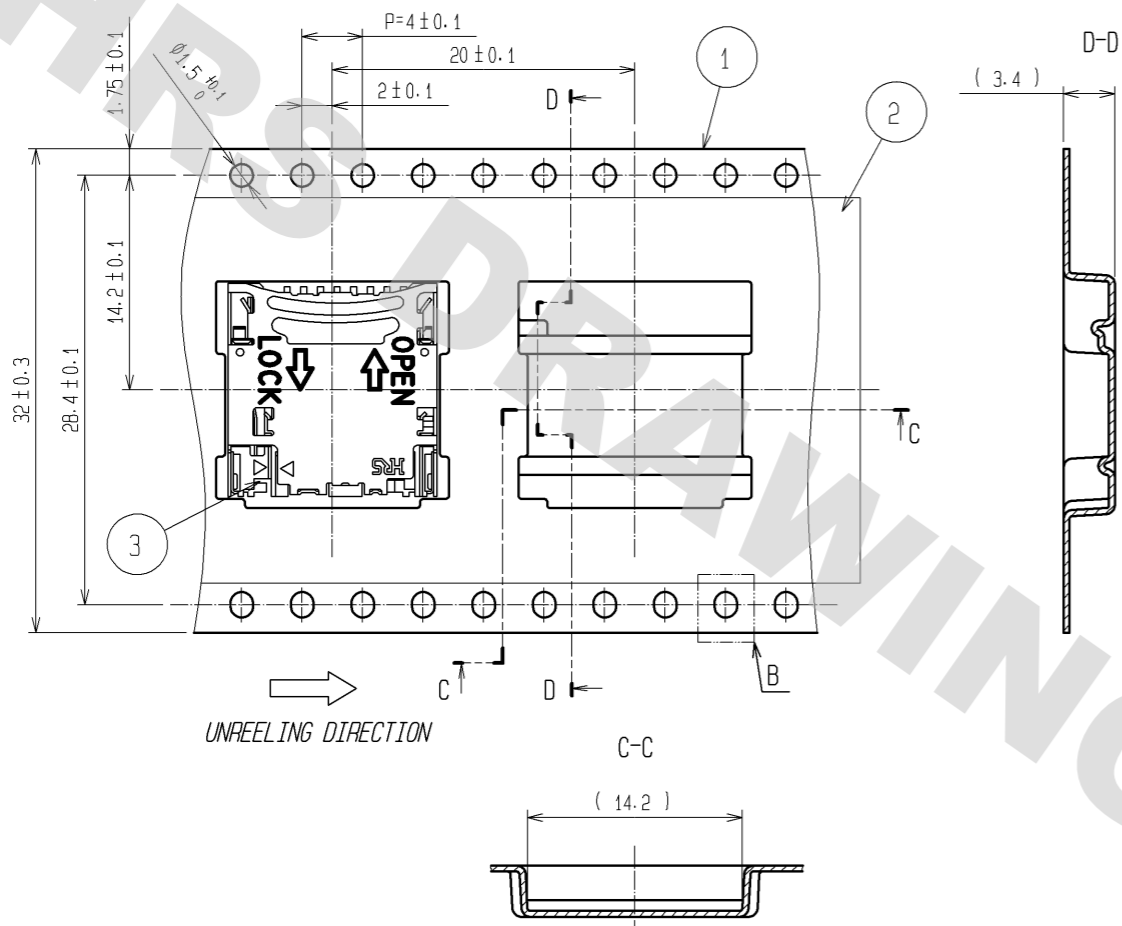


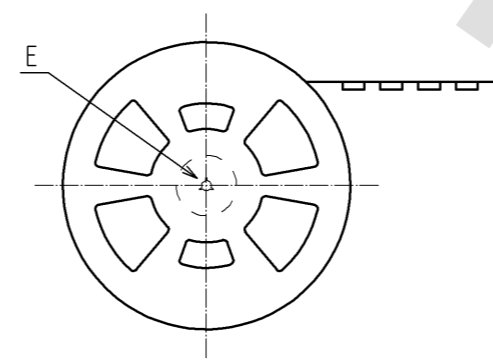


DRAWING FOR REFERENCE: This is subject to change without notice  
08/11/2012

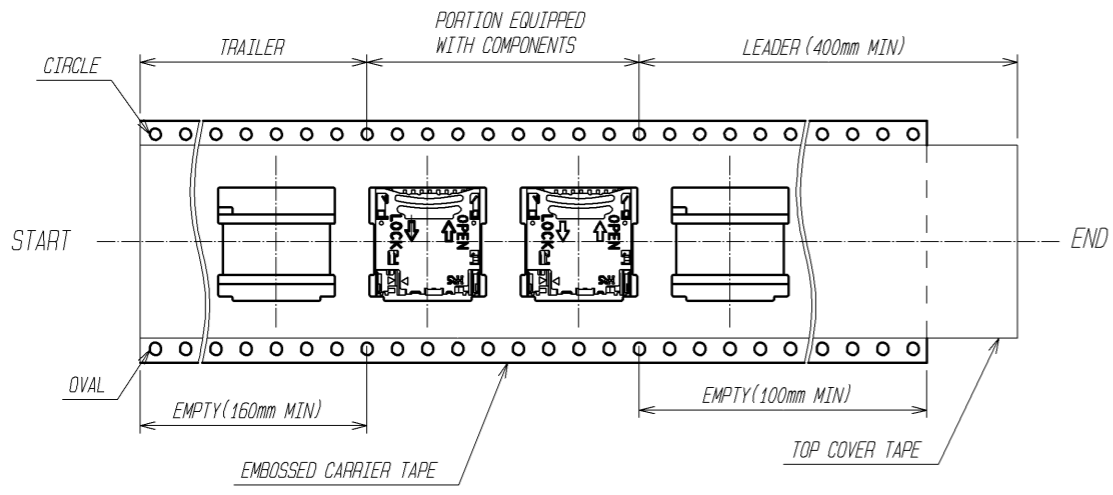
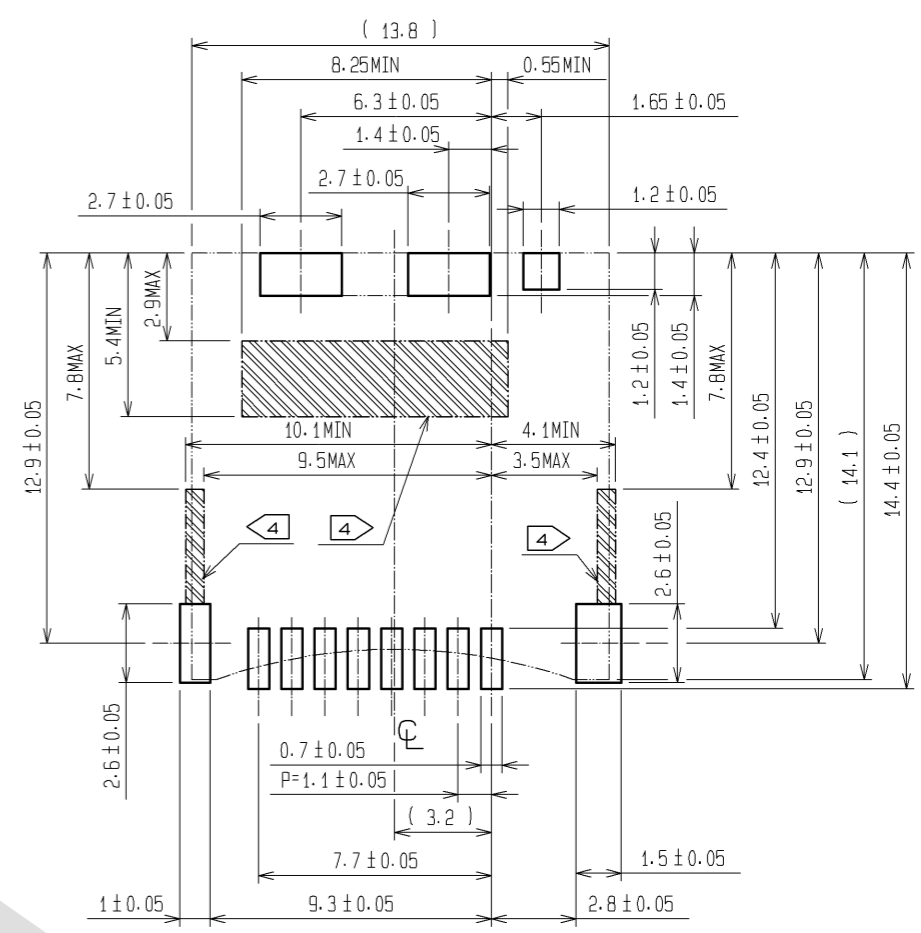
5 DRAWING FOR PACKING



DETAIL OF REEL (1:10)



RECOMMENDED PCB LAYOUT (MOUNTING SIDE)



NOTE: 4 NO PATTERNS ARE PERMITTED IN THIS OBLIQUE-HATCHED AREA.  
5 PACKING TYPE: TAPE AND REEL. 1300PCS PER REEL.  
6 PLEASE REFER TO TECHNICAL SPECIFICATION : ETAD-F0335 "DM3C SERIES PRODUCT INFORMATION AND HANDLING INSTRUCTIONS" FOR THE HANDLING OF THE PRODUCT.

3	(CONNECTORS)	
2		
1	PS	
NO.	MATERIAL	FINISH . REMARKS

<b>HRS</b>	DRAWING NO.	EDC3-156211-00
	PART NO.	DM3C-SF
	CODE NO.	CL609-0019-5-00
		2/2