



SOCKET WRENCHES

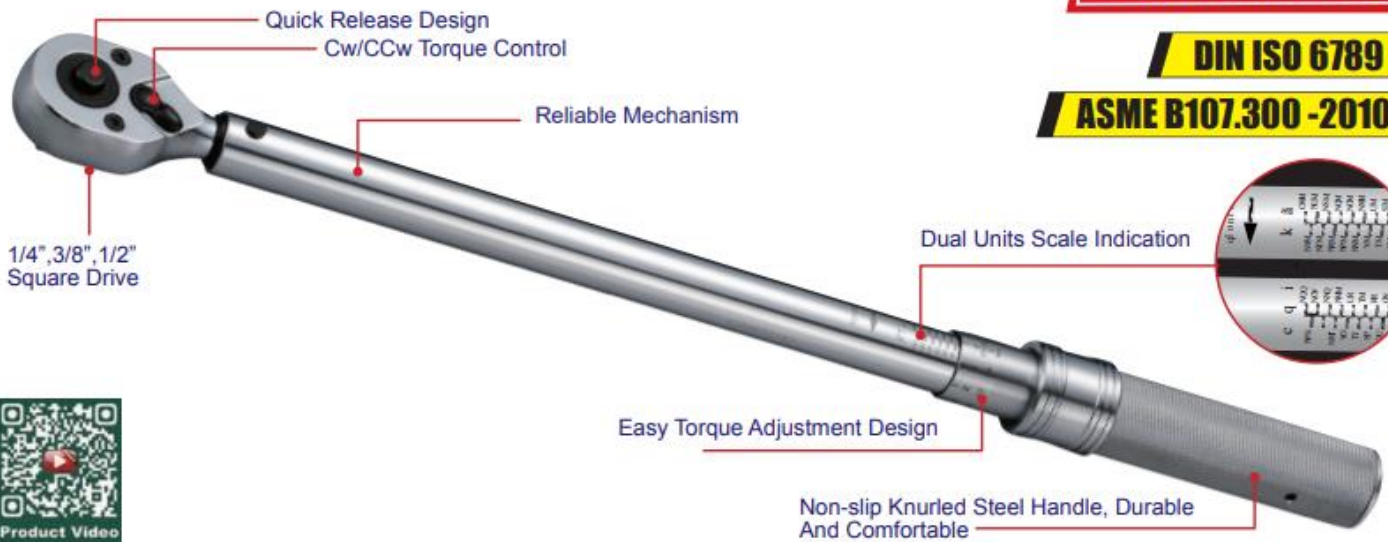


▶ HW-T Series Adjustable Torque Wrench With Reversible Ratchet

INDUSTRIAL GRADE

DIN ISO 6789

ASME B107.300-2010



- **Accuracy of torque $\pm 3.0\%$**

Each torque wrench laser serial no. and calibration certificate for future tracing.

- **Dual units scale indication**

Dual units N-m and lbf.in or lbf.ft scale indication.

- **CW/CCW torque control**

Applied to both clockwise and counter clockwise bi-directional torque control. Signals by impulse when torque setting is reached.

- **Easy Torque adjustment**

Easy torque-adjusting design brings energy-saving benefit. Positive locking mechanism avoids accidental setting alterations.

- **Quick release design**

Comes with quick release design, allows changing socket quickly.

- **Reliable Mechanism**

Quality meets DIN ISO 6789 & ASME B107.300-2010.

Idea for motorcycles, bicycle, automobile, truck, heavy machinery, ships, cruise, aerospace industry, high-speed rail and more.



Spec.	HW-T41-315	HW-T41-525	HW-T83-20100	HW-T21-40200	HW-T21-60340
Drive	1/4"/6.35mm Square	1/4"/6.35mm Square	3/8"/9.53mm Square	1/2"/12.70mm Square	1/2"/12.70mm Square
Unit	N-m/lbf.ft Dual units	N-m/lbf.ft Dual units	N-m/lbf.ft Dual units	N-m/lbf.ft Dual units	N-m/lbf.ft Dual units
Torque Range	3.0~15 N-m 31~128 lbf.ft	5.0~25 N-m 53~212 lbf.ft	20~100 N-m 16.6~71.9 lbf.ft	40~200 N-m 33~144 lbf.ft	60~340 N-m 52~243 lbf.ft
Accuracy	$\pm 3.0\%$	$\pm 3.0\%$	$\pm 3.0\%$	$\pm 3.0\%$	$\pm 3.0\%$
Graduation	0.1 N-m	0.2 N-m	0.5 N-m	1.0 N-m	2.0 N-m
Gear teeth	64 T	64 T	32 T	32 T	32 T
OAL	210 mm (8.3")	248 mm (9.8")	433 mm (17")	530 mm (21")	610 mm (24")