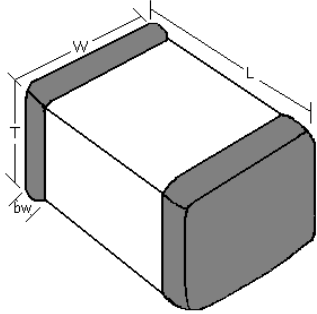


Capacitor Specifications

HITANO Technologies P/N: 1206X476K100SNT

Mechanical Dimensions



Length (L): .127" ± .006"

Width (W): .065" ± .005"

Thickness (T): .065" ± .005"

Bandwidth (bw): .015" ± .008"

Performance Specifications

Operating Temperature Range -55°C to +125°C

Temperature Coefficient 0 ±15%Δ°C

Dissipation Factor: 5.0% Max

Insulation Resistance >10,000 m Ω

Capacitance 47uF ± 10%

Voltage Rating 10 VDC

ORDERING INFORMATION

<u>Case Size</u>	<u>Dielectric</u>	<u>Capacitance</u>	<u>Tolerance</u>	<u>Voltage</u>	<u>Termination</u>	<u>Packaging</u>	<u>Hi-Reli Testing</u>
1206	X	476	K	100	SN	T	
Mechanical Dimensions Shown Above	X = X7R	First 2 digits are Significant; Third digit indicates # of Zeros. Use "R" for decimal point Examples: 476 = 47uF 107 = 100uF	K ±10% M ±20%	First 2 digits are Significant; Third digit indicates number of Zeros Examples: 250=25 Vdc 100=10 VDC	S Solder Over Nickel Plated SN Tin over Nickel Plated (RoHS Compliant) G Gold over Nickel Plated (RoHS Compliant)	T Tape and Reel	(Optional) A = Group A B = Group B C = Group C Tested and Screened