

## Data sheet

Commercial Art.No.: 96.032.1053.1

Device connector RST20I3F S2 M01V SW

RST20i3 device connector M25, 3 pole, male, spring clamp connection, application 250V with PE, 20A, coding color black



|                    |               |
|--------------------|---------------|
| Commercial Art.No. | 96.032.1053.1 |
| EAN                | 4015573743731 |
| Order Unit         | 1             |

Certificates / Approvals



LR

RINA



## Technical data

### General

|                                  |                                  |
|----------------------------------|----------------------------------|
| Rated current                    | 20 A                             |
| Rated voltage                    | 250 V                            |
| Pollution degree                 | 3                                |
| Rated impulse voltage            | 4 kV                             |
| Lockable                         | self-locking (unlocking by tool) |
| Color of coding/ contact carrier | black                            |
| Marking of poles                 | L, N, PE                         |

### Connection Data

|   |                     |
|---|---------------------|
| Connection cross section solid mm <sup>2</sup> max.         | 2.5 mm <sup>2</sup> |
| Connection cross section solid mm <sup>2</sup> min.         | 0.5 mm <sup>2</sup> |
| Connection cross section solid AWG min.                     | 20 AWG              |
| Connection cross section solid AWG max.                     | 14 AWG              |
| Connection cross section fine stranded mm <sup>2</sup> max. | 1.5 mm <sup>2</sup> |
| Connection cross section fine stranded mm <sup>2</sup> min. | 0.5 mm <sup>2</sup> |
| Terminations per pole                                       | 2                   |
| Wire strip length   | 14.5 mm             |
| Connection cross section stranded AWG min.                  | 20 AWG              |
| Connection cross section stranded AWG max.                  | 16 AWG              |

### Model

|                 |                         |
|-----------------|-------------------------|
| Model           | male                    |
| Connection type | spring clamp connection |

|   |                       |
|---|-----------------------|
| Connecting thread metric                    | M25                   |
| Angle of plug                               | straight              |
| Degree of protection (IP)                   | IP66/68 (3m;2h) /IP69 |
| Thickness of housings (electrical device) 2 | 0.5 mm                |
| Thickness of housings (electrical device)   | 8 mm                  |

#### Material

|  |               |
|--|---------------|
| Housing material                             | Polyamide     |
| halogen free                                 | yes           |
| Contact material                             | CuZn          |
| Fire load                                    | 0.114 kWh     |
| Insulation components continuous temperature | 100 °C        |
| Surface finish                               | Silver-plated |

#### Dimensions

|        |         |
|--------|---------|
| Length | 44.6 mm |
| Width  | 35 mm   |
| Height | 35 mm   |

#### Classification

|            |          |
|------------|----------|
| ECLASS 11  |          |
| ECLASS 8.1 | 27440602 |
| ETIM 7.0   | EC002566 |
| ETIM 6.0   | EC002566 |
| ETIM 5.0   | EC002566 |
| ETIM 4.0   | EC002566 |

#### Note

|      |   |
|------|---|
| Note | Fine stranded and stranded conductors require cable end sleeve;<br>Positioning realised with flattened thread |
|------|---|

#### Product compliance

|                              |                    |
|------------------------------|--------------------|
| ROHS conformity status       | Compliant/Exempted |
| ROHS exceptions              | III-6(c)           |
| REACH-SVHC conformity status | Duty-To-Declare    |
| REACH-SVHC substances        | Lead               |
| REACH-SVHC CAS numbers       | 7439-92-1          |

#### Accessories

| Commercial Art.No.: | Article-type description:                       | Description:  |
|---------------------|---|---|
| 06.502.4300.0       | screwdriver DIN 5264 A 0,4 X 2,5                | Screw driver according to DIN 5264 A, blade: 0.4x2.5 mm, long and straight version  |
| 95.101.1300.0       | ferrule crimping tool 0,08 - 10 mm <sup>2</sup> | Crimping tool for ferrules, wire strip length: 7-28 mm, nominal cross section: 0,08-10 mm <sup>2</sup> , length of tool: 180 mm |
| 06.600.3627.0       | ferrules DIN 46228-E1-12                        | RST end sleeve, for spring clamp contact, with insulating sleeve, for cross section 1.0 mm <sup>2</sup> /AWG17                  |
| 06.600.3727.0       | ferrules DIN 46228-E0,75-12                     | RST end sleeve, for spring clamp contact, with insulating sleeve, for cross section 0.75-1.0 mm <sup>2</sup> /AWG17             |

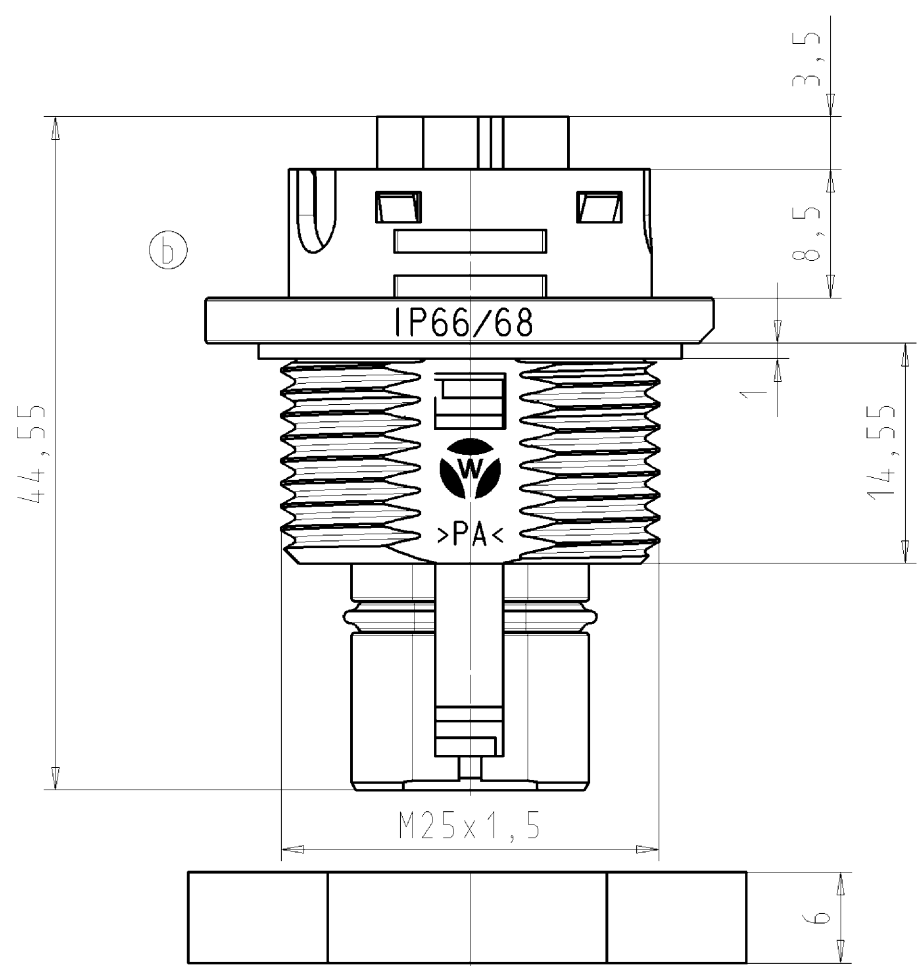
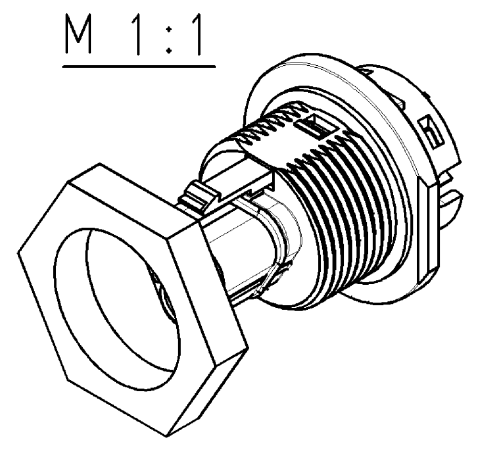
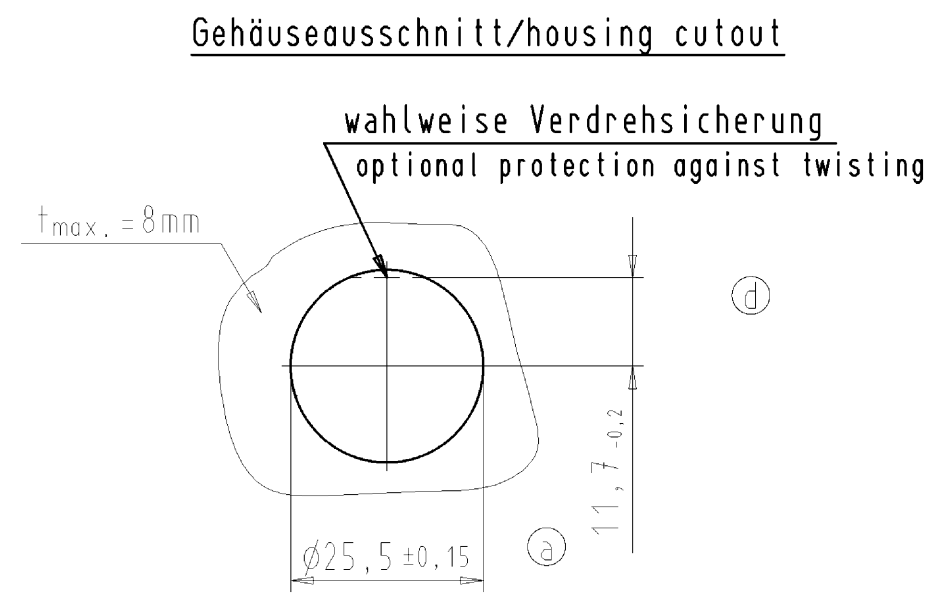
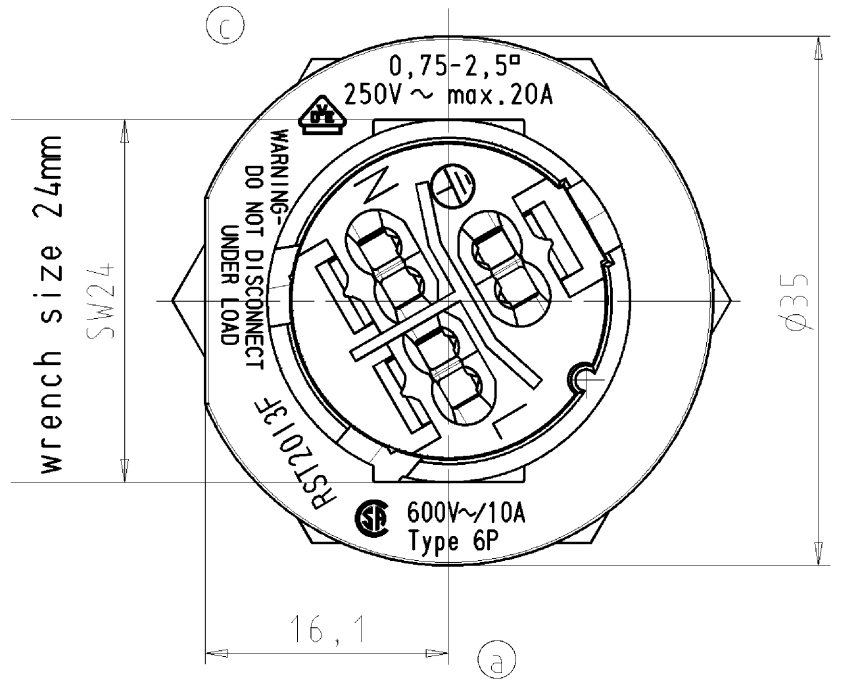
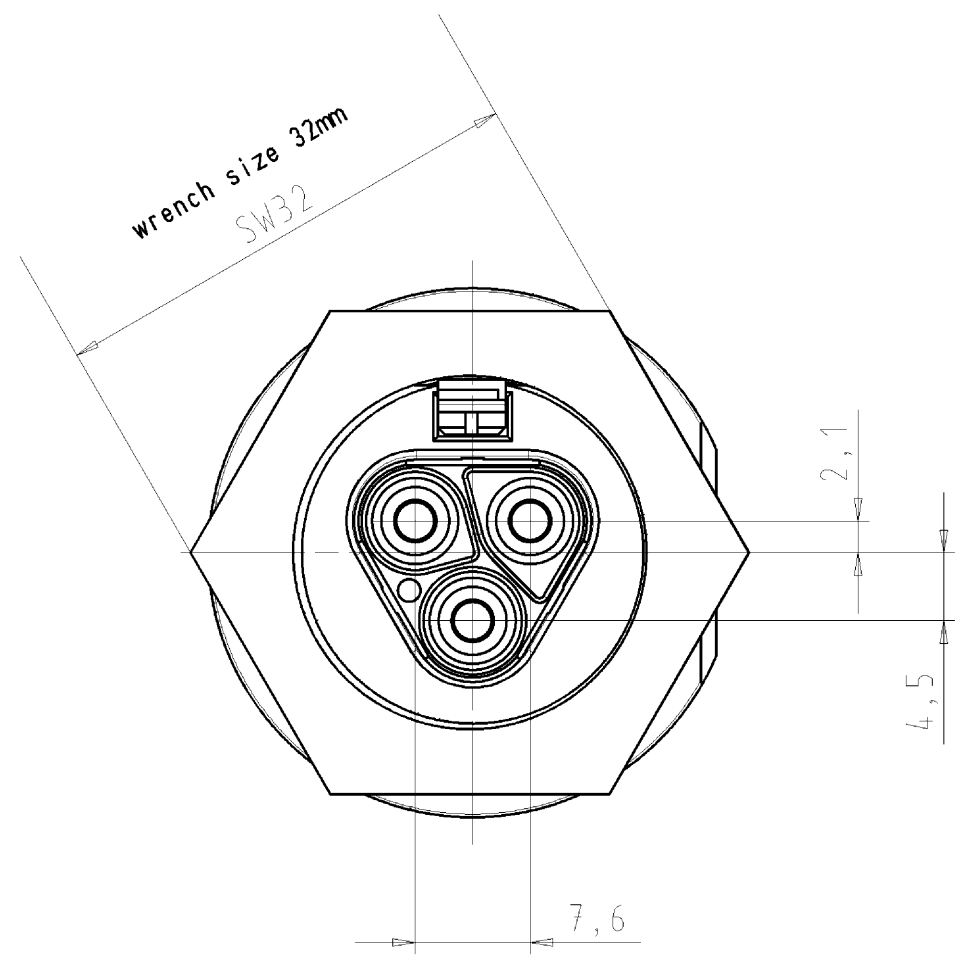
|               |                             |  |
|---------------|-----------------------------|--|
| 06.600.3827.0 | ferrules DIN 46228-E0,5-10  | RST end sleeve, for spring clamp contact, with insulating sleeve, for cross section 0.5 mm <sup>2</sup> /AWG20 |
| 06.600.3927.0 | ferrules DIN 46228-E1,5-12  | RST end sleeve, for spring clamp contact, with insulating sleeve, for cross section 1.5 mm <sup>2</sup> /AWG16 |
| 05.564.4453.1 | Cover for male connector SW | RST20i3/2 cover piece, for covering unused male connectors, color black  |
| 99.416.6205.2 | Cover for male connector SW | RST20i3/2 cover piece, for covering unused male connectors, with fastening belt, color black                   |

### Fits with

| Commercial Art.No.: | Article-type description:    | Description:  |
|---------------------|------------------------------|---|
| 96.031.0053.1       | Connector RST20i3F B2 ZR1 SW | RST20i3 connector, 3 pole, female, spring clamp connection, application 250V with PE, 20A, for cable diameters 6-10mm, coding color black, color of housing black               |
| 96.031.0153.1       | Connector RST20i3F B2 ZR2 SW | RST20i3 connector, 3 pole, female, spring clamp connection, application 250V with PE, 20A, for cable diameters 10-14mm, coding color black, color of housing black              |
| 96.033.0053.1       | Connector RST20i3F B2 YR1 SW | RST20i3 connector (90° angled), 3 pole, female, spring clamp connection, application 250V with PE, 20A, for cable diameters 6-10mm, coding color black, color of housing black  |
| 96.033.0153.1       | Connector RST20i3F B2 YR2 SW | RST20i3 connector (90° angled), 3 pole, female, spring clamp connection, application 250V with PE, 20A, for cable diameters 10-14mm, coding color black, color of housing black |
| 96.031.0253.1       | Connector RST20i3F B2 ZRX SW | RST20i3 splitter connector, 3 pole, female, spring clamp connection, application 250V with PE, 20A, for cable diameters 6-10mm, coding color black, color of housing black      |
| 96.031.0353.1       | Connector RST20i3F B2 ZRY SW | RST20i3 splitter connector, 3 pole, female, spring clamp connection, application 250V with PE, 20A, for cable diameters 10-14mm, coding color black, color of housing black     |

These dimensions will be especially checked at delivery  
 Only inspection dimensions  
 With /E marked dimensions are only valid for internal use

Diese Maße werden bei Abnahme besonders geprüft  
 Ausschließlich Prüfmaße  
 Mit /E gekennzeichnete Maße sind nur für interne Zwecke gültig



Verpackungseinheit: je 100 Stk.  
 packaging unit: per 100

| Teile-Nr./<br>part-nr. | Farbe:/<br>color:  | Einz.-Tl.-Nr.: *)/<br>single-part-nr.:*) |
|------------------------|--|--|
| 96.032.1053.1          | schwarz, ähnl. RAL 9005/<br>black, similar to RAL 9005       | .....1                                   |
| 96.032.1053.0          | lichtgrau, ähnl. RAL 7035/<br>lightgrey, similar to RAL 7035 | .....0                                   |

Tolerierung Size ISO 14405 (E)/Tolerance system Size ISO 14405 (E).  
 (This ISO-standard describes the envelope principle. According to the envelope principle the deviations of form and parallelism are limited by the size tolerances).

ja/yes  Stoffverbots- und Deklarationsliste nach UU-TOM-05/03 ist einzuhalten.  
 Conformity with Wieland document UU-TOM-05/03 (list of prohibited / declarable hazardous substances) to be declared!

Freitoleranz nach General tolerance CAD - Zeichnung, keine manuellen Änderungen CAD - drawing, no manual modifications allowed 1. Verwendung: First Use: Blatt: 1 von 1 Sheet: of 1

|                           |       |
|---------------------------|-------|
| Zeichnung Nr./Drawing No. | Index |
| T 96.032.1053.0 01K       | d     |

Maße in mm/Dimensions are in mm

|   |             |                 |                 |   |                           |          |        |
|---|-------------|-----------------|-----------------|---|---------------------------|----------|--------|
| d | 27.08.2012/ | Maßstab/Scale   | 2:1             | Werkstoff/Material  | 2003                      | Tag/Date | Name   |
| c | 05.05.2009/ | Vol.            | mm <sup>3</sup> | Werkstoff und Oberfläche:<br>material and surface:<br>Farbe: siehe Tabelle<br>color: look table | gezeichnet<br>drawn       | 21.10.   | Kneitz |
| b | 12.05.2005/ | mm <sup>2</sup> | Ofl./Surf.      |   | geprüft<br>checked        | -        | -      |
| a | 07.12.2004/ | mm              |                 |   | Normgepr.<br>Stand. check | -        | -      |

Ersatz für/Replacement for: -

Änderung/Revision

wieland  
Elektrische Verbindungen

Type

Benennung/Tittle

STECKERTEIL  
male connector  
RST2013 S2 M01V

Weitergabe sowie Vervielfältigung dieses Dokuments, Verwertung und Mitteilung seines Inhalts sind verboten, soweit nicht ausdrücklich gestattet. Die Reproduktion, Distribution und Nutzung dieses Dokuments sowie die Kommunikation der Inhalte mit anderen ohne ausdrückliche Genehmigung ist untersagt.

960321053001K\_2 CADW2037.dwg 2012-08-28 09:04:39 1:000

OU-PEM-08/91b