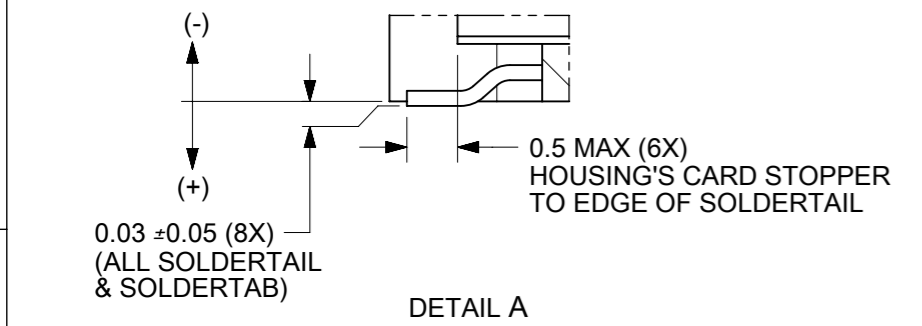
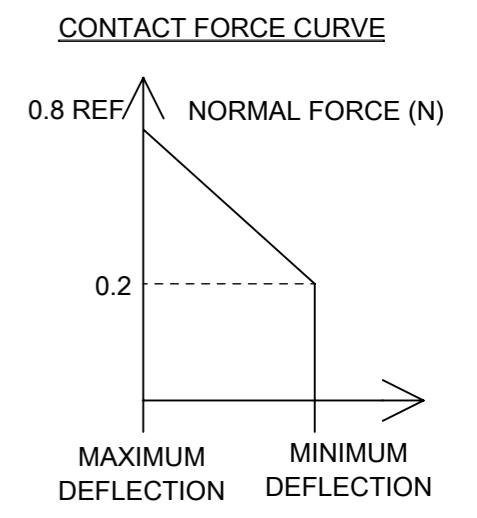
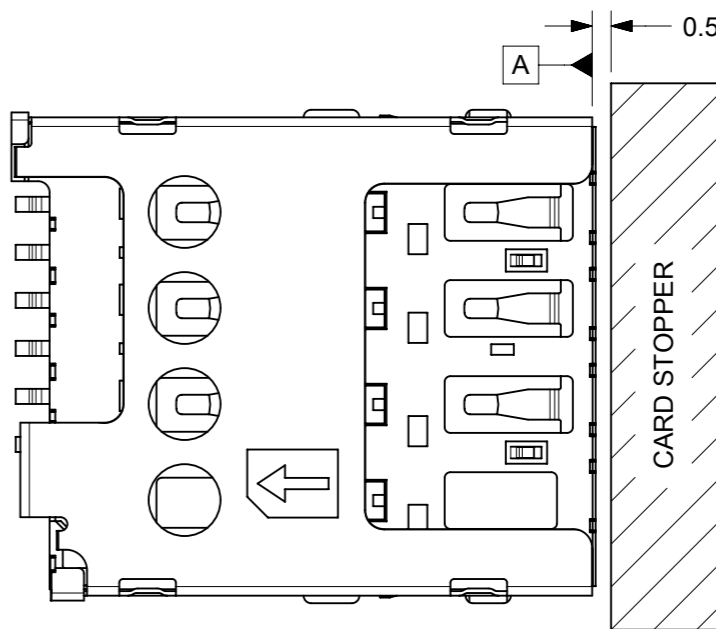
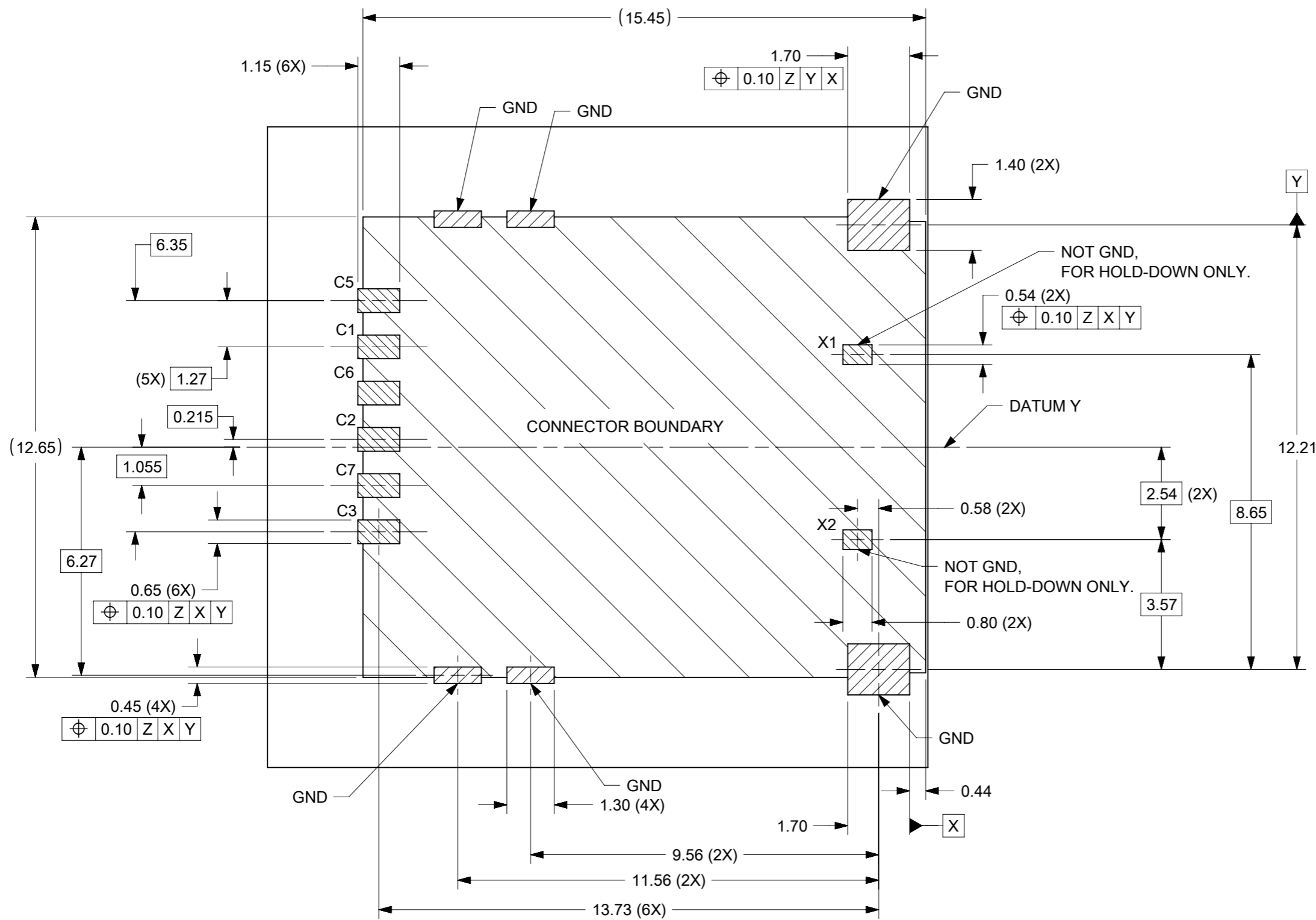


- NOTE:
- MATERIAL: HOUSING : LIQUID CRYSTAL POLYMER (LCP), GLASS FILLED, UL94-V0, COLOR: BLACK
 TERMINAL : COPPER ALLOY
 METAL SHELL : STAINLESS STEEL
 - FINISH:
 TERMINAL:-
 CONTACT : SEE TABLE.
 SOLDERTAIL: 1.27µm MIN. MATTE TIN OVER 1.27µm NICKEL UNDERPLATE.
 SHELL :-
 SOLDERTAB : 1.27µm MIN. MATTE TIN OVER 1.27µm NICKEL UNDERPLATE.
 TOP SURFACE : 1.27µm NICKEL PLATING.
 - OVERALL (SOLDERTAIL & SOLDERTAB) COPLANARITY 0.08mm, MAX.
 - ALLOWABLE SIM CARD SLIDE OUT W.R.T. DATUM A : 1.00mm MAX.
 - PRODUCT SPECIFICATION: PS-78646-001
 - PACKAGING SPECIFICATION: RPK-78646-001
 - COMPLIANT TO RoHS DIRECTIVE 2011/65/EU AND ELV DIRECTIVE 2000/53/EC.
- △8 DATE CODE: YY DDD XX
 YEAR DAY LINE 1/2/3
 SHIFT: D - DAY
 N - NIGHT
- △9 VERSION NO: V1.3



PART NO.	PLATING AT CONTACT
786463001	0.38µm MIN. GOLD OVER 1.27µm NICKEL UNDERPLATE.
DOCUMENT STATUS	P1
RELEASE DATE	2020/08/06 00:20:56

FUNCTIONAL SYMBOLS	THIS DRAWING CONTAINS INFORMATION THAT IS PROPRIETARY TO MOLEX ELECTRONIC TECHNOLOGIES, LLC AND SHOULD NOT BE USED WITHOUT WRITTEN PERMISSION	CURRENT REV DESC:					
	△A = 0	mm	NTS				
DIVISIONAL SYMBOLS	△E = 0	GENERAL TOLERANCES (UNLESS SPECIFIED)		DRWN: EZHANG06		2020/06/30	
	△F = 0	ANGULAR TOL ± 3.0°		CHK'D: AYIN		2020/08/06	
	△G = 0	4 PLACES ±		APPR: AYIN		2020/08/06	
	△H = 0	3 PLACES ±		INITIAL REVISION:			
	△I = 0	2 PLACES ± 0.2		DRWN: JTAN02		2011/02/24	
1 PLACE ±		APPR: KHLIM		2011/03/16		SD-78646-001	
0 PLACES ±		DRAFT WHERE APPLICABLE MUST REMAIN WITHIN DIMENSIONS		THIRD ANGLE PROJECTION		DRAWING	
				A3-SIZE		SERIES	
				78646		MATERIAL NUMBER	
				SEE TABLE		CUSTOMER	
				GENERAL MARKET		DOC TYPE DOC PART REVISION	
				1 OF 3		PSD 001 C1	



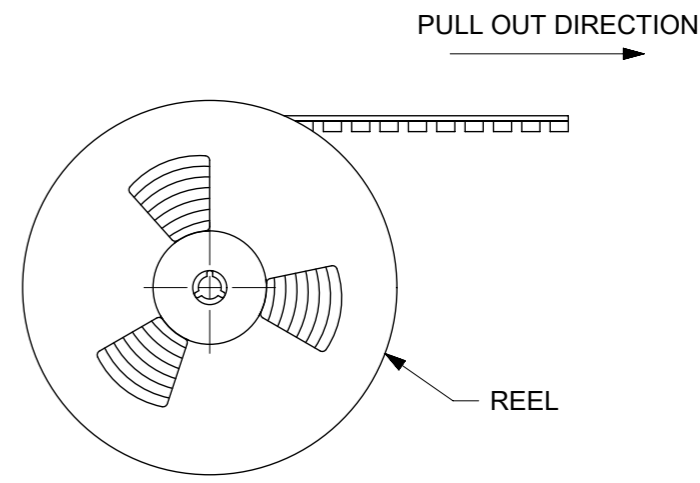
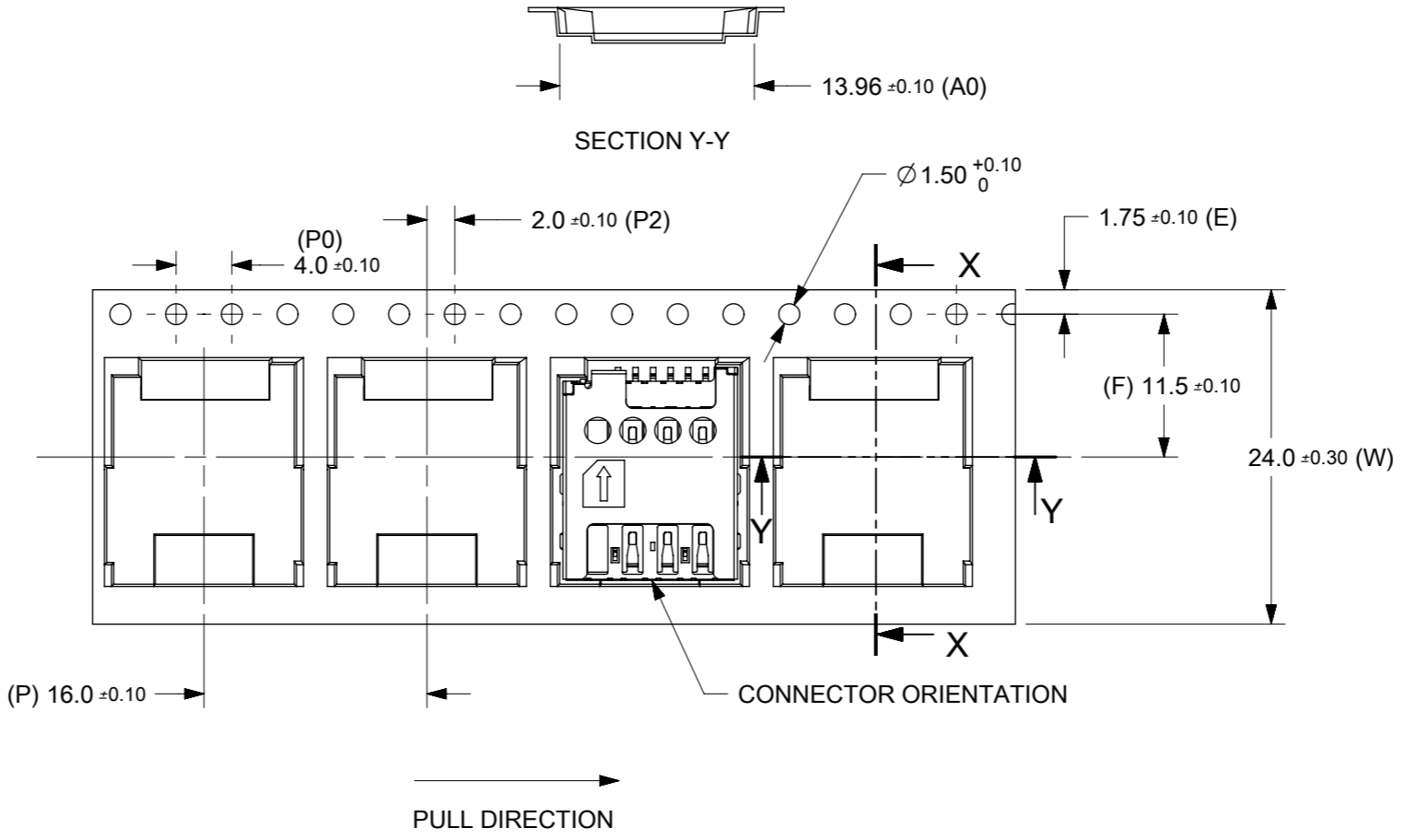
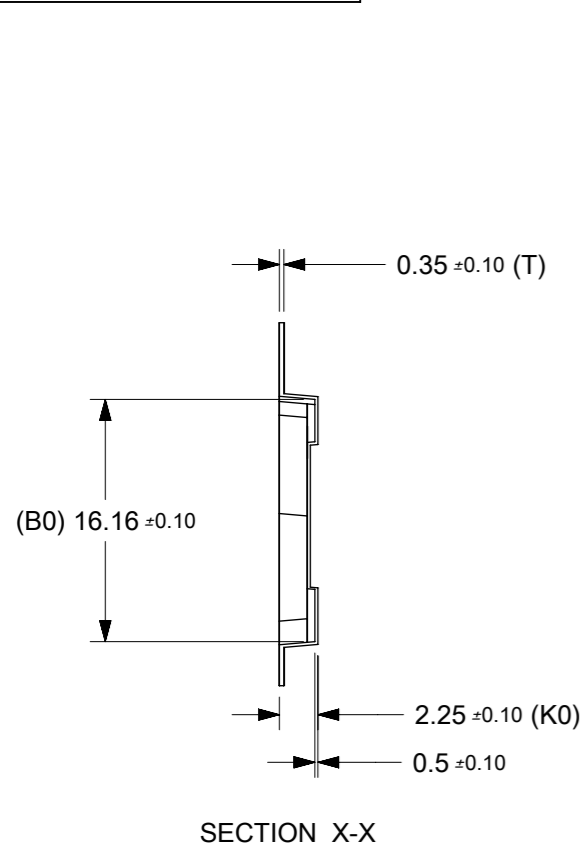
RECOMMENDED PCB LAYOUT
PWB TOLERANCE : ± 0.05mm

PIN NO.	ASSIGNMENT
C1	Vcc (SUPPLY VOLTAGE)
C2	RST (RESET SIGNAL)
C3	CLK (CLOCK SIGNAL)
C5	GND
C6	Vpp (VARIABLE SUPPLY VOLTAGE)
C7	I/O (DATA INPUT/OUTPUT)
X1	NOT GND, FOR HOLD DOWN ONLY. (NOTE:X1 IS LINKED TO C1)
X2	NOT GND, FOR HOLD DOWN ONLY. (NOTE:X2 IS LINKED TO C3)

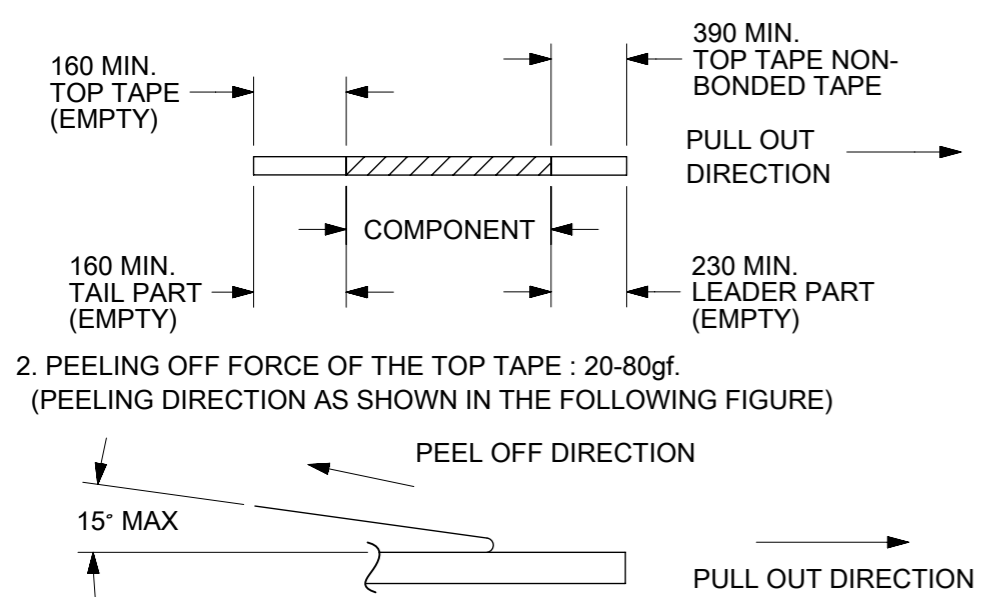
DOCUMENT STATUS	P1	RELEASE DATE	2020/08/06	00:20:56
-----------------	----	--------------	------------	----------

FUNCTIONAL SYMBOLS	THIS DRAWING CONTAINS INFORMATION THAT IS PROPRIETARY TO MOLEX ELECTRONIC TECHNOLOGIES, LLC AND SHOULD NOT BE USED WITHOUT WRITTEN PERMISSION	CURRENT REV DESC:		molex																												
	<table border="1"> <tr> <th>FUNCTIONAL SYMBOLS</th> <th>DIMENSION UNITS</th> <th>SCALE</th> </tr> <tr> <td>$\nabla_A = 0$</td> <td>mm</td> <td>NTS</td> </tr> <tr> <td>$\nabla_E = 0$</td> <td colspan="2">GENERAL TOLERANCES (UNLESS SPECIFIED)</td> </tr> <tr> <td>$\nabla_F = 0$</td> <td colspan="2">ANGULAR TOL ± 3.0°</td> </tr> <tr> <td></td> <td>4 PLACES</td> <td>±</td> </tr> <tr> <td></td> <td>3 PLACES</td> <td>±</td> </tr> <tr> <td></td> <td>2 PLACES</td> <td>± 0.2</td> </tr> <tr> <td></td> <td>1 PLACE</td> <td>±</td> </tr> <tr> <td></td> <td>0 PLACES</td> <td>±</td> </tr> </table>	FUNCTIONAL SYMBOLS	DIMENSION UNITS		SCALE	$\nabla_A = 0$	mm	NTS	$\nabla_E = 0$	GENERAL TOLERANCES (UNLESS SPECIFIED)		$\nabla_F = 0$	ANGULAR TOL ± 3.0°			4 PLACES	±		3 PLACES	±		2 PLACES	± 0.2		1 PLACE	±		0 PLACES	±	EC NO: 628683 DRWN: EZHANG06 2020/06/30 CHK'D: AYIN 2020/08/06 APPR: AYIN 2020/08/06		SALES DRAWING MICRO SIM CONNECTOR 1.45MM HEIGHT, PUSH PULL
FUNCTIONAL SYMBOLS	DIMENSION UNITS	SCALE																														
$\nabla_A = 0$	mm	NTS																														
$\nabla_E = 0$	GENERAL TOLERANCES (UNLESS SPECIFIED)																															
$\nabla_F = 0$	ANGULAR TOL ± 3.0°																															
	4 PLACES	±																														
	3 PLACES	±																														
	2 PLACES	± 0.2																														
	1 PLACE	±																														
	0 PLACES	±																														
DIVISIONAL SYMBOLS	<table border="1"> <tr> <th>DIVISIONAL SYMBOLS</th> <th>DIMENSION UNITS</th> <th>SCALE</th> </tr> <tr> <td>$\nabla_A = 0$</td> <td>mm</td> <td>NTS</td> </tr> <tr> <td>$\nabla_E = 0$</td> <td colspan="2">GENERAL TOLERANCES (UNLESS SPECIFIED)</td> </tr> <tr> <td>$\nabla_F = 0$</td> <td colspan="2">ANGULAR TOL ± 3.0°</td> </tr> <tr> <td></td> <td>4 PLACES</td> <td>±</td> </tr> <tr> <td></td> <td>3 PLACES</td> <td>±</td> </tr> <tr> <td></td> <td>2 PLACES</td> <td>± 0.2</td> </tr> <tr> <td></td> <td>1 PLACE</td> <td>±</td> </tr> <tr> <td></td> <td>0 PLACES</td> <td>±</td> </tr> </table>		DIVISIONAL SYMBOLS	DIMENSION UNITS	SCALE	$\nabla_A = 0$	mm	NTS	$\nabla_E = 0$	GENERAL TOLERANCES (UNLESS SPECIFIED)		$\nabla_F = 0$	ANGULAR TOL ± 3.0°			4 PLACES	±		3 PLACES	±		2 PLACES	± 0.2		1 PLACE	±		0 PLACES	±	PRODUCT CUSTOMER DRAWING EC NO: 628683 DRWN: JTAN02 2011/02/24 APPR: KHLIM 2011/03/16		DOCUMENT NUMBER SD-78646-001 DOC TYPE PSD DOC PART 001 REVISION C1
DIVISIONAL SYMBOLS	DIMENSION UNITS	SCALE																														
$\nabla_A = 0$	mm	NTS																														
$\nabla_E = 0$	GENERAL TOLERANCES (UNLESS SPECIFIED)																															
$\nabla_F = 0$	ANGULAR TOL ± 3.0°																															
	4 PLACES	±																														
	3 PLACES	±																														
	2 PLACES	± 0.2																														
	1 PLACE	±																														
	0 PLACES	±																														
DRAFT WHERE APPLICABLE MUST REMAIN WITHIN DIMENSIONS		THIRD ANGLE PROJECTION	DRAWING	SERIES	MATERIAL NUMBER	CUSTOMER	SHEET NUMBER																									
			A3-SIZE	78646	SEE TABLE	GENERAL MARKET	2 OF 3																									

PACKAGING INFORMATION



NOTES :



- 3. TAPE & REEL SPECIFICATION IS AS PER EIA-481.
- 4. TAPE & REEL QTY. : 1500PCS / REEL.
- 5. THE TAPE IS TREATED FOR ANTI-STATIC.

FUNCTIONAL SYMBOLS	THIS DRAWING CONTAINS INFORMATION THAT IS PROPRIETARY TO MOLEX ELECTRONIC TECHNOLOGIES, LLC AND SHOULD NOT BE USED WITHOUT WRITTEN PERMISSION		CURRENT REV DESC:		molex		
	DIMENSION UNITS	SCALE					
▽A = 0	mm	NTS	EC NO: 628683		SALES DRAWING		
▽E = 0	GENERAL TOLERANCES (UNLESS SPECIFIED)		DRWN: EZHANG06		MICRO SIM CONNECTOR 1.45MM HEIGHT, PUSH PULL		
▽F = 0	ANGULAR TOL ± 3.0°		2020/06/30		PRODUCT CUSTOMER DRAWING		
DIVISIONAL SYMBOLS	4 PLACES	±	CHK'D: AYIN		DOCUMENT NUMBER		
	3 PLACES	±	APPR: AYIN		SD-78646-001		
	2 PLACES	± 0.2	INITIAL REVISION:		DOC TYPE DOC PART REVISION		
	1 PLACE	±	DRWN: JTAN02		PSD 001 C1		
0 PLACES	±	APPR: KHLIM		MATERIAL NUMBER			
DRAFT WHERE APPLICABLE MUST REMAIN WITHIN DIMENSIONS		THIRD ANGLE PROJECTION	DRAWING	SERIES	CUSTOMER	SHEET NUMBER	
			A3-SIZE	78646	GENERAL MARKET	3 OF 3	