

□ ITEM NO: ZH707

□ DESCRIPTION: FUSE HOLDER
FOR: MINI AUTO FUSE

□ APPROVALS:

• CE NO: GLEMO040700865IT

• SGS NO: □

□ SPECIFICATIONS: □

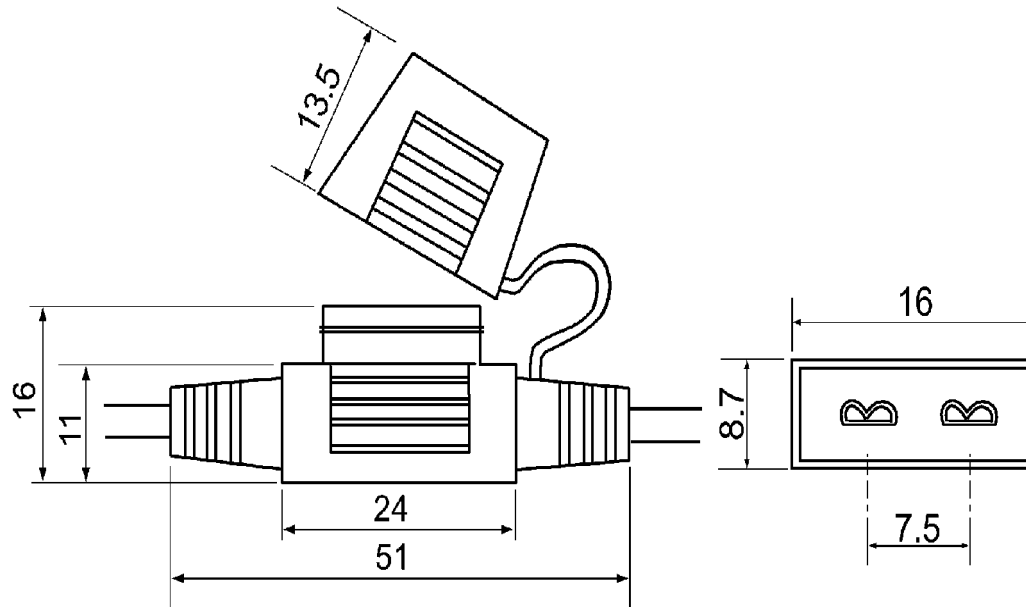
□ Material:

• PVC(III)

• Nickel-plating(III)

□ Max. rated value: 40A 32V

□ Limited temperature: 105°C



ITEM NO.	DESCRIPTION	DOC.NO.	VERSION	DRAW	CHECK	APPROVE	DATE
ZH707	MEDULM FUSE HOLDER	ZH-A-005					